



# SEATTLE MECHANICAL CODE

2009 INTERNATIONAL MECHANICAL CODE<sup>®</sup> AS AMENDED BY THE CITY OF SEATTLE



CITY OF  
SEATTLE

2009



# 2009 SEATTLE MECHANICAL CODE

---

2009 INTERNATIONAL MECHANICAL CODE® AS AMENDED BY THE CITY OF SEATTLE



2009 Seattle Mechanical Code

First Printing: October 2010

ISBN-978-1-60983-023-6

COPYRIGHT © 2010  
by  
INTERNATIONAL CODE COUNCIL, INC.

ALL RIGHTS RESERVED. This 2009 *Seattle Mechanical Code* contains substantial copyrighted material from the 2009 *International Mechanical Code*, Third Printing, which is a copyrighted work owned by the International Code Council, Inc. Without advance written permission from the copyright owner, no part of this book may be reproduced, distributed or transmitted in any form or by any means, including, without limitation, electronic, optical or mechanical means (by way of example and not limitation, photocopying or recording by or in an information storage retrieval system). For information on permission to copy material exceeding fair use, please contact: Publications, 4051 West Flossmoor Road, Country Club Hills, IL 60478. Phone 1-888-ICC-SAFE (422-7233).

Trademarks: “International Code Council,” the “International Code Council” logo and the “International Mechanical Code” are trademarks of the International Code Council, Inc.

PRINTED IN THE U.S.A.

# PREFACE

## Introduction

Internationally, code officials recognize the need for a modern, up-to-date mechanical code addressing the design and installation of mechanical systems through requirements emphasizing performance. The *International Mechanical Code*<sup>®</sup>, in this 2009 edition, is designed to meet these needs through model code regulations that safeguard the public health and safety in all communities, large and small.

This comprehensive mechanical code establishes minimum regulations for mechanical systems using prescriptive and performance-related provisions. It is founded on broad-based principles that make possible the use of new materials and new mechanical designs. This 2009 edition is fully compatible with all the *International Codes* (“I-Codes”) published by the International Code Council (ICC), including the *International Building Code*<sup>®</sup>, *International Energy Conservation Code*<sup>®</sup>, *International Existing Building Code*<sup>®</sup>, *International Fire Code*<sup>®</sup>, *International Fuel Gas Code*<sup>®</sup>, *International Plumbing Code*<sup>®</sup>, *ICC Performance Code*<sup>®</sup>, *International Private Sewage Disposal Code*<sup>®</sup>, *International Property Maintenance Code*<sup>®</sup>, *International Residential Code*<sup>®</sup>, *International Urban-Wildland Interface Code*<sup>™</sup> and *International Zoning Code*<sup>®</sup>.

The *International Mechanical Code* provisions provide many benefits, among which is the model code development process that offers an international forum for mechanical professionals to discuss performance and prescriptive code requirements. This forum provides an excellent arena to debate proposed revisions. This model code also encourages international consistency in the application of provisions.

## Development

The first edition of the *International Mechanical Code* (1996) was the culmination of an effort initiated in 1994 by a development committee appointed by the ICC and consisting of representatives of the three statutory members of the International Code Council at that time, including: Building Officials and Code Administrators International, Inc. (BOCA), International Conference of Building Officials (ICBO) and Southern Building Code Congress International (SBCCI). The intent was to draft a comprehensive set of regulations for mechanical systems consistent with and inclusive of the scope of the existing model codes. Technical content of the latest model codes promulgated by BOCA, ICBO and SBCCI was utilized as the basis for the development. This 2009 edition presents the code as originally issued, with changes approved through the ICC Code Development Process through 2008. A new edition such as this is promulgated every 3 years.

This code is founded on principles intended to establish provisions consistent with the scope of a mechanical code that adequately protects public health, safety and welfare; provisions that do not unnecessarily increase construction costs; provisions that do not restrict the use of new materials, products or methods of construction; and provisions that do not give preferential treatment to particular types or classes of materials, products or methods of construction.

## Adoption

The *International Mechanical Code* is available for adoption and use by jurisdictions internationally. Its use within a governmental jurisdiction is intended to be accomplished through adoption by reference in accordance with proceedings establishing the jurisdiction’s laws. At the time of adoption, jurisdictions should insert the appropriate information in provisions requiring specific local information, such as the name of the adopting jurisdiction. These locations are shown in bracketed words in small capital letters in the code and in the sample ordinance. The sample adoption ordinance on page ix addresses several key elements of a code adoption ordinance, including the information required for insertion into the code text.

## Maintenance

The *International Mechanical Code* is kept up to date through the review of proposed changes submitted by code enforcing officials, industry representatives, design professionals and other interested parties. Proposed changes are carefully considered through an open code development process in which all interested and affected parties may participate.

The contents of this work are subject to change both through the Code Development Cycles and the governmental body that enacts the code into law. For more information regarding the code development process, contact the Code and Standard Development Department of the International Code Council.

While the development procedure of the *International Mechanical Code* assures the highest degree of care, ICC and ICC’s members and those participating in the development of this code do not accept any liability resulting from compliance or noncompliance with the provisions because ICC and its members do not have the power or authority to police or enforce compliance with the contents of this code. Only the governmental body that enacts the code into law has such authority.



## Letter Designations in Front of Section Numbers

In each code development cycle, proposed changes to this code are considered at the Code Development Hearing by the International Mechanical Code Development Committee, whose action constitutes a recommendation to the voting membership for final action on the proposed change. Proposed changes to a code section whose number begins with a letter in brackets are considered by a different code development committee. For instance, proposed changes to code sections which have the letter [B] in front (for example, [B] 309.1), are considered by one of the International Building Code development committees at the Code Development Hearing. Where this designation is applicable to the entire content of a main section of the code, the designation appears at the main section number and title and is not repeated at every subsection in that section.

The content of sections in this code which begin with a letter designation are maintained by another code development committee in accordance with the following:

- [B] = International Building Code Development Committee;
- [EC] = International Energy Conservation Code Development Committee;
- [F] = International Fire Code Development Committee;
- [FG] = International Fuel Gas Code Development Committee; and
- [W] = Washington State Mechanical Code.

## Marginal Markings

Solid vertical lines in the margins within the body of the code indicate a technical change from the requirements of the 2006 edition of the IBC. Dashed vertical lines in the margins indicate a technical change in the Seattle amendments. Deletion indicators in the form of an arrow (➡) are provided in the margin where an entire section, paragraph, exception or table has been deleted or an item in a list of items or a table has been deleted from the IBC. Deletion indicators in the form of a hollow arrow (⇨) are provided in the margin where a Seattle amendment has been deleted.

## Italicized Terms

Selected terms set forth in Chapter 2, Definitions, are italicized where they appear in code text. Such terms are not italicized where the definition set forth in Chapter 2 does not impart the intended meaning in the use of the term. The terms selected have definitions which the user should read carefully to facilitate better understanding of the code.

## Acknowledgement

DPD thanks the members of the Construction Codes Advisory Board and its committees for the dedication, knowledge and experience they generously devoted to reviewing the 2009 Seattle codes. These volunteers donated an extraordinary number of hours to this important task. DPD and the City's elected officials rely on this commitment of time by its citizens for advice on technical matters. The City is deeply grateful for the practical perspective they provide. The City is fortunate to have the contributions of these generous people.

## Electronic Mailing List

If you would like to receive occasional email messages notifying you of future amendments and errata to the Seattle Mechanical Code and other codes, sign up for the technical codes mailing list at <http://www.seattle.gov/DPD/Codes/TechnicalCodes/Subscribe> to Our Mailing List/DPD.001990.asp.

# Effective Use of the International Mechanical Code

The *International Mechanical Code*<sup>®</sup> (IMC<sup>®</sup>) is a model code that regulates the design and installation of mechanical systems, appliances, appliance venting, duct and ventilation systems, combustion air provisions, hydronic systems and solar systems. The purpose of the code is to establish the minimum acceptable level of safety and to protect life and property from the potential dangers associated with the installation and operation of mechanical systems. The code also protects the personnel that install, maintain, service and replace the systems and appliances addressed by this code.

The IMC is primarily a prescriptive code with some performance text. The code relies heavily on product specifications and listings to provide much of the appliance and equipment installation requirements. The general Section 105.2 and the exception to Section 403.2 allow designs and installations to be performed by approved engineering methods as alternatives to the prescriptive methods in the code.

The format of the IMC allows each chapter to be devoted to a particular subject with the exception of Chapter 3, which contains general subject matters that are not extensive enough to warrant their own independent chapter.

**Chapter 1 Scope and Administration.** Chapter 1 establishes the limits of applicability of the code and describes how the code is to be applied and enforced. A mechanical code, like any other code, is intended to be adopted as a legally enforceable document and it cannot be effective without adequate provisions for its administration and enforcement. The provisions of Chapter 1 establish the authority and duties of the code official appointed by the jurisdiction having authority and also establish the rights and privileges of the design professional, contractor and property owner.

**Chapter 2 Definitions.** Chapter 2 is the repository of the definitions of terms used in the body of the code. Codes are technical documents and every word and term can impact the meaning of the code text and the intended results. The code often uses terms that have a unique meaning in the code and the code meaning can differ substantially from the ordinarily understood meaning of the term as used outside of the code.

The terms defined in Chapter 2 are deemed to be of prime importance in establishing the meaning and intent of the code text that uses the terms. The user of the code should be familiar with and consult this chapter because the definitions are essential to the correct interpretation of the code and because the user may not be aware that a term is defined.

**Chapter 3 General Regulations.** Chapter 3 contains broadly applicable requirements related to appliance location and installation, appliance and systems access, protection of structural elements, condensate disposal and clearances to combustibles, among others.

**Chapter 4 Ventilation.** Chapter 4 includes means for protecting building occupant health by controlling the quality of indoor air and protecting property from the effects of inadequate ventilation. In some cases, ventilation is required to prevent or reduce a health hazard by removing contaminants at their source.

Ventilation is both necessary and desirable for the control of air contaminants, moisture and temperature. Habitable and occupiable spaces are ventilated to promote a healthy and comfortable environment for the occupants. Uninhabited and unoccupied spaces are ventilated to protect the building structure from the harmful effects of excessive humidity and heat. Ventilation of specific occupancies is necessary to minimize the potential for toxic or otherwise harmful substances to reach dangerously high concentrations in air.

**Chapter 5 Exhaust Systems.** Chapter 5 provides guidelines for reasonable protection of life, property and health from the hazards associated with exhaust systems, air contaminants and smoke development in the event of a fire. In most cases, these hazards involve materials and gases that are flammable, explosive, toxic or otherwise hazardous. Where contaminants are known to be present in quantities that are irritating or harmful to the occupants' health or are hazardous in a fire, both naturally and mechanically ventilated spaces must be equipped with mechanical exhaust systems capable of collecting and removing the contaminants.

This chapter contains requirements for the installation of exhaust systems, with an emphasis on the structural integrity of the systems and equipment involved and the overall impact of the systems on the fire safety performance of the building. It includes requirements for the exhaust of commercial kitchen grease- and smoke-laden air, hazardous fumes and toxic gases, clothes dryer moisture and heat and dust, stock and refuse materials.

**Chapter 6 Duct Systems.** Chapter 6 of the code regulates the materials and methods used for constructing and installing ducts, plenums, system controls, exhaust systems, fire protection systems and related components that affect the overall performance of a building's air distribution system and the reasonable protection of life and property from the hazards associated with air-moving equipment and systems. This chapter contains requirements for the installation of supply, return and exhaust air systems. Specific exhaust systems are also addressed in Chapter 5. Information on the design of duct systems is limited to that in Section 603.2. The code is very much concerned with the structural integrity of the systems and the overall impact of the systems on the fire safety and life safety performance of the building. Design considerations such as duct sizing, maximum efficiency, cost effectiveness, occu-

pant comfort and convenience are the responsibility of the design professional. The provisions for the protection of duct penetrations of wall, floor, ceiling and roof assemblies are extracted from the *International Building Code*.

**Chapter 7 Combustion Air.** Complete combustion of solid and liquid fuel is essential for the proper operation of appliances, for control of harmful emissions and for achieving maximum fuel efficiency.

The specific combustion air requirements provided in previous editions of the code have been deleted in favor of a single section that directs the user to NFPA 31 for oil-fired appliance combustion air requirements and the manufacturer's installation instructions for solid-fuel burning appliances. For gas-fired appliances, the provisions of the *International Fuel Gas Code* are applicable.

**Chapter 8 Chimneys and Vents.** Chapter 8 is intended to regulate the design, construction, installation, maintenance, repair and approval of chimneys, vents and their connections to solid and liquid fuel-burning appliances. The requirements of this chapter are intended to achieve the complete removal of the products of combustion from fuel-burning appliances and equipment. This chapter includes regulations for the proper selection, design, construction and installation of a chimney or vent, along with appropriate measures to minimize the related potential fire hazards. A chimney or vent must be designed for the type of appliance or equipment it serves. Chimneys and vents are designed for specific applications depending on the flue gas temperatures and the type of fuel being burned in the appliance. Chimneys and vents for gas-fired appliances are covered in the *International Fuel Gas Code*.

**Chapter 9 Specific Appliances, Fireplaces and Solid Fuel-burning Appliances.** Chapter 9 sets minimum construction and performance criteria for fireplaces, appliances and equipment and provides for the safe installation of these items. It reflects the code's intent to specifically address all of the types of appliances that the code intends to regulate. Other regulations affecting the installation of solid fuel-burning fireplaces, appliances and accessory appliances are found in Chapters 3, 6, 7, 8, 10, 11, 12, 13 and 14.

**Chapter 10 Boilers, Water Heaters and Pressure Vessels.** Chapter 10 presents regulations for the proper installation of boilers, water heaters and pressure vessels to protect life and property from the hazards associated with those appliances and vessels. It applies to all types of boilers and pressure vessels, regardless of size, heat input, operating pressure or operating temperature.

Because pressure vessels are closed containers designed to contain liquids, gases or both under pressure, they must be designed and installed to prevent structural failures that can result in extremely hazardous situations. Certain safety features are therefore provided in Chapter 10 to reduce the potential for explosion hazards.

**Chapter 11 Refrigeration.** Chapter 11 contains regulations pertaining to the life safety of building occupants. These regulations establish minimum requirements to achieve the proper design, construction, installation and operation of refrigeration systems. Refrigeration systems are a combination of interconnected components and piping assembled to form a closed circuit in which a refrigerant is circulated. The system's function is to extract heat from a location or medium, and to reject that heat to a different location or medium. This chapter establishes reasonable safeguards for the occupants by defining and mandating practices that are consistent with the practices and experience of the industry.

**Chapter 12 Hydronic Piping.** Hydronic piping includes piping, fittings and valves used in building space conditioning systems. Applications include hot water, chilled water, steam, steam condensate, brines and water/antifreeze mixtures. Chapter 12 contains the provisions that govern the construction, installation, alteration and repair of all hydronic piping systems that affect reliability, serviceability, energy efficiency and safety.

**Chapter 13 Fuel Oil Piping and Storage.** Chapter 13 regulates the design and installation of fuel oil storage and piping systems. The regulations include reference to construction standards for above-ground and underground storage tanks, material standards for piping systems (both above-ground and underground) and extensive requirements for the proper assembly of system piping and components. The *International Fire Code*® (IFC®) covers subjects not addressed in detail here. The provisions in this chapter are intended to prevent fires, leaks and spills involving fuel oil storage and piping systems.

**Chapter 14 Solar Systems.** Chapter 14 establishes provisions for the safe installation, operation and repair of solar energy systems used for space heating or cooling, domestic hot water heating or processing. Although such systems use components similar to those of conventional mechanical equipment, many of these provisions are unique to solar energy systems.

**Chapter 15 Referenced Standards.** Chapter 15 lists all of the product and installation standards and codes that are referenced throughout Chapters 1 through 14. As stated in Section 102.8, these standards and codes become an enforceable part of the code (to the prescribed extent of the reference) as if printed in the body of the code. Chapter 15 provides the full title and edition year of the standards and codes in addition to the address of the promulgators and the section numbers in which the standards and codes are referenced.

**Appendix A Combustion Air Openings and Chimney Connector Pass-throughs.** Appendix A provides figures that illustrate various requirements in the body of the code. Figures A-1 through A-4 illustrate typical combustion air requirements. Figure A-5 illustrates the chimney connector clearance requirements of Table 803.10.4.

**Appendix B Recommended Permit Fee Schedule.** Appendix B provides a sample permit fee schedule for mechanical permits. The local jurisdiction can adopt this appendix and fill in the dollar amounts in the blank spaces to establish their official permit fee schedule. The ICC does not establish permit fees because the code is adopted throughout the country and there are vast differences in operating budgets between different parts of the country, as well as between large and small municipalities within the same region.



(This page is intentionally left blank)

(This page is intentionally left blank)

(This page is intentionally left blank)

# TABLE OF CONTENTS

<p><b>CHAPTER 1 ADMINISTRATION ..... 1</b></p> <p>Section</p> <p><u>101 Title..... 1</u></p> <p><u>102 Purpose..... 1</u></p> <p><u>103 Applicability and Scope ..... 1</u></p> <p><u>104 Application to Existing Mechanical Systems .... 1</u></p> <p><u>105 Alternate Materials and Methods</u> <u>of Construction ..... 2</u></p> <p><u>106 Modifications..... 2</u></p> <p><u>107 Tests ..... 2</u></p> <p><u>108 Organization and Duties</u> <u>of the Code Official..... 2</u></p> <p><u>109 Unsafe Equipment and</u> <u>Hazard Correction Order..... 3</u></p> <p><u>110 Adminstrative Review ..... 3</u></p> <p><u>111 Enforcement, Violations and Penalties..... 3</u></p> <p><u>112 Recording of Orders and Notices ..... 5</u></p> <p><u>113 Rules of the Code Official..... 5</u></p> <p><u>114 Construction Codes Advisory Board ..... 5</u></p> <p><u>115 Permits ..... 6</u></p> <p><u>116 Application for Permit..... 6</u></p> <p><u>117 Application Review and Permit Issuance..... 7</u></p> <p><u>118 Fees ..... 8.1</u></p> <p><u>119 Inspections ..... 8.1</u></p> <p><u>120 Connection Approval ..... 8.2</u></p> <p><u>121 Refrigeration Licenses ..... 8.2</u></p> <p><u>122 Operating Permits for</u> <u>Refrigeration Systems ..... 8.2</u></p> <p><b>CHAPTER 2 DEFINITIONS ..... 9</b></p> <p>Section</p> <p>201 General..... 9</p> <p>202 General Definitions ..... 9</p> <p><b>CHAPTER 3 GENERAL REGULATIONS ..... 19</b></p> <p>Section</p> <p>301 General..... 19</p> <p>302 Protection of Structure ..... 20</p> <p>303 Equipment and Appliance Location ..... 21</p> <p>304 Installation ..... 22</p> <p>305 Piping Support..... 23</p> <p>306 Access and Service Space..... 24</p> <p>307 Condensate Disposal ..... 25</p>	<p>308 Clearance Reduction ..... 26</p> <p>309 Temperature Control ..... 27</p> <p>310 Explosion Control ..... 27</p> <p>311 Smoke and Heat Vents..... 27</p> <p>312 Heating and Cooling Load Calculations ..... 28</p> <p><b>CHAPTER 4 VENTILATION ..... 29</b></p> <p>Section</p> <p>401 General..... 29</p> <p>402 Natural Ventilation..... 29</p> <p>403 Mechanical Ventilation ..... 30</p> <p>404 ((<del>Enclosed Parking Garages</del>)) <u>Ventilation of</u> <u>Enclosed Motor Vehicle Occupancies..... 36.5</u></p> <p>405 Systems Control ..... 36.5</p> <p>406 Ventilation of Uninhabited Spaces ..... 36.5</p> <p><b>CHAPTER 5 EXHAUST SYSTEMS ..... 37</b></p> <p>Section</p> <p>501 General..... 37</p> <p>502 Required Systems ..... 38</p> <p>503 Motors and Fans ..... 45</p> <p>504 Clothes Dryer Exhaust ..... 45</p> <p>505 Domestic Kitchen Exhaust Equipment..... 46</p> <p>506 Commercial Kitchen Hood Ventilation System Ducts and Exhaust Equipment..... 47</p> <p>507 Commercial Kitchen Hoods ..... 51</p> <p>508 Commercial Kitchen Makeup Air..... 54</p> <p>509 Fire Suppression Systems ..... 54</p> <p>510 Hazardous Exhaust Systems ..... 54</p> <p>511 Dust, Stock and Refuse Conveying Systems .... 57</p> <p>512 Subslab Soil Exhaust Systems ..... 58</p> <p>513 Smoke Control Systems ..... 58</p> <p>514 Energy Recovery Ventilation Systems ..... 60.2</p> <p><b>CHAPTER 6 DUCT SYSTEMS ..... 61</b></p> <p>Section</p> <p>601 General..... 61</p> <p>602 Plenums ..... 62</p> <p>603 Duct Construction and Installation..... 63</p> <p>604 Insulation ..... 65</p> <p>605 Air Filters..... 66</p> <p>606 Smoke Detection Systems Control..... 66</p> <p>607 Duct and Transfer Openings ..... 67</p>
---	---



**TABLE OF CONTENTS**

**CHAPTER 7 COMBUSTION AIR ..... 71**

Section

701 General ..... 71  
 702 Appliance Located in Unconfined Spaces ..... 71  
 703 Appliances Located in Confined Spaces ..... 71  
 704 Opening Obstructions ..... 72  
 705 Forced Combustion Air Supply ..... 72.1

**CHAPTER 8 CHIMNEYS AND VENTS ..... 73**

Section

801 General ..... 73  
 802 Vents ..... 74  
 803 Connectors ..... 75  
 804 Direct-vent, Integral Vent and Mechanical  
     Draft Systems ..... 76  
 805 Factory-built Chimneys ..... 77  
 806 Metal Chimneys ..... 78

**CHAPTER 9 SPECIFIC APPLIANCES,  
 FIREPLACES AND SOLID FUEL-  
 BURNING EQUIPMENT ..... 79**

Section

901 General ..... 79  
 902 Masonry Fireplaces ..... 79  
 903 Factory-built Fireplaces ..... 79  
 904 Pellet Fuel-burning Appliances ..... 79  
 905 Fireplace Stoves and Room Heaters ..... 79  
 906 Factory-built Barbecue Appliances ..... 79  
 907 Incinerators and Crematories ..... 79  
 908 Cooling Towers, Evaporative  
     Condensers and Fluid Coolers ..... 79  
 909 Vented Wall Furnaces ..... 80  
 910 Floor Furnaces ..... 80  
 911 Duct Furnaces ..... 80  
 912 Infrared Radiant Heaters ..... 80  
 913 Clothes Dryers ..... 80  
 914 Sauna Heaters ..... 81  
 915 Engine and Gas Turbine-powered  
     Equipment and Appliances ..... 81  
 916 Pool and Spa Heaters ..... 81  
 917 Cooking Appliances ..... 81  
 918 Forced-air, Warm-air Furnaces ..... 81  
 919 Conversion Burners ..... 82  
 920 Unit Heaters ..... 82  
 921 Vented Room Heaters ..... 83  
 922 Kerosene and Oil-fired Stoves ..... 83

923 Small Ceramic Kilns ..... 83  
 924 Stationary Fuel Cell Power Systems ..... 83  
 925 Masonry Heaters ..... 83  
 926 Gaseous Hydrogen Systems ..... 83  
 927 Heat Recovery Ventilators ..... 83

**CHAPTER 10 BOILERS, WATER HEATERS  
 AND PRESSURE VESSELS  
 Not adopted in Seattle ..... 85**

**CHAPTER 11 REFRIGERATION ..... 89**

Section

1101 General ..... 89  
 1102 System Requirements ..... 89  
 1103 Refrigeration System Classification ..... 90  
 1104 System Application Requirements ..... 90  
 1105 Machinery Room, General Requirements ..... 96  
 1106 Machinery Room, Special Requirements ..... 97  
 1107 Refrigerant Piping ..... 97  
 1108 Field Test ..... 99  
 1109 Periodic Testing ..... 99

**CHAPTER 12 HYDRONIC PIPING ..... 101**

Section

1201 General ..... 101  
 1202 Material ..... 101  
 1203 Joints and Connections ..... 102  
 1204 Pipe Insulation ..... 103  
 1205 Valves ..... 104  
 1206 Piping Installation ..... 104  
 1207 Transfer Fluid ..... 104  
 1208 Tests ..... 104  
 1209 Embedded Piping ..... 105

**CHAPTER 13 FUEL OIL PIPING  
 AND STORAGE ..... 107**

Section

1301 General ..... 107  
 1302 Material ..... 107  
 1303 Joints and Connections ..... 107  
 1304 Piping Support ..... 108  
 1305 Fuel Oil System Installation ..... 108  
 1306 Oil Gauging ..... 109  
 1307 Fuel Oil Valves ..... 109  
 1308 Testing ..... 109

**CHAPTER 14 SOLAR SYSTEMS..... 111**  
Section  
1401 General..... 111  
1402 Installation..... 111  
1403 Heat Transfer Fluids..... 112  
1404 Materials..... 112

**CHAPTER 15 REFERENCED STANDARDS..... 113**

**APPENDIX A COMBUSTION AIR OPENINGS  
AND CHIMNEY CONNECTOR  
PASS-THROUGHS..... 121**

**APPENDIX B RECOMMENDED PERMIT  
FEE SCHEDULE..... 125**

**INDEX..... 127**



# CHAPTER 1

## ADMINISTRATION

Note: Chapter 1 is entirely Seattle amendments to the *International Mechanical Code* and is not underlined.

### SECTION 101 TITLE

**101.1 Title.** These regulations shall be known as the “Seattle Mechanical Code,” may be cited as such, and are referred to herein as “this code.” All references to the *International Mechanical Code* contained in this code mean the *Seattle Mechanical Code*.

### SECTION 102 PURPOSE

**102.1 Purpose.** The purpose of this code is to provide minimum standards to safeguard life or limb, health, property and public welfare by regulating and controlling the design, construction, installation, quality of materials, location, operation, and maintenance or use of heating, ventilating, cooling, refrigeration systems, incinerators and other miscellaneous heat-producing appliances within the City.

The purpose of this code is to provide for and promote the health, safety and welfare of the general public, and not to create or otherwise establish or designate any particular class or group of persons who will or should be especially protected or benefited by the terms of this code.

### SECTION 103 APPLICABILITY AND SCOPE

**103.1 Applicability.** The provisions of this code apply to the erection, installation, alteration, repair, relocation, replacement, addition to, use or maintenance of any heating, ventilating, cooling, refrigeration systems, incinerators or other miscellaneous heat-producing appliances within the City. The design and testing of equipment regulated by this code are subject to the approval of the code official.

#### Exceptions:

1. Detached one- and two-family *dwelling*s and multiple single-family *dwelling*s (townhouses) not more than three stories above grade plane with a separate means of egress and their accessory structures shall comply with the *International Residential Code*.
2. The standards for liquefied petroleum gas installations are the 2008 edition of NFPA 58 (*Liquefied Petroleum Gas Code*) and the 2009 edition of ANSI Z223.1/NFPA 54 (*National Fuel Gas Code*), as amended.

**103.2 Applicability of *Seattle Mechanical Code*.** A mechanical permit application shall be considered under the Seattle Mechanical and Seattle Energy codes in effect on the date a complete mechanical permit application is submitted or on a date as otherwise required by law. A mechanical permit appli-

cation is complete if it complies with all the requirements of Section 115.

**103.3 Alterations.** Additions, alterations, repairs and replacement of equipment or systems shall comply with the provisions for new equipment and systems except as otherwise provided in Section 104 of this code.

**103.4 Internal consistency.** Where, in any specific case, different sections of this code specify different materials, methods of construction or other requirements, the most restrictive governs. Where there is a conflict between a general requirement and a specific requirement, the specific requirement is applicable.

**103.5 Referenced codes and standards.** The codes and standards referenced in this code are part of the requirements of this code to the extent prescribed by each such reference. Where differences occur between provisions of this code and referenced codes and standards, the provisions of this code apply.

**Exception:** Where enforcement of a code provision would violate the conditions of the listing of the equipment or appliance, the conditions of the listing and manufacturer’s instructions apply.

**103.6 Appendices.** Provisions in the *International Mechanical Code* appendices do not apply unless specifically adopted.

**103.7 Metric units.** Wherever in this ordinance there is a conflict between metric units of measurement and English units, the English units govern.

**103.8 References to other codes.** Whenever an International, National or Uniform Code is referenced in this code, it means the Seattle edition of that code, including local amendments. References to the “Building Code,” “Fuel Gas Code,” “Fire Code,” “Residential Code” and “Plumbing Code” mean the Seattle editions of those codes.

### SECTION 104 APPLICATION TO EXISTING MECHANICAL SYSTEMS

**104.1 Additions, alterations or repairs.** Additions, alterations, renovations or repairs may be made to any mechanical system without requiring the existing mechanical system to comply with all the requirements of this code, if the addition, alteration, renovation or repair conforms to the standards required for a new mechanical system. Additions, alterations, renovations or repairs shall not cause an existing system to become *unsafe*, *unhealthy* or *overloaded*.

Minor additions, alterations, renovations, and repairs to existing mechanical systems may be installed in accordance with the law in effect at the time the original installation was made, if approved by the code official.



**104.2 Existing installations.** Mechanical systems lawful at the time of the adoption of this code may continue their use, be maintained or repaired, be converted to another type of fuel, or have components replaced if the use, maintenance, repair, conversion of fuel, or component replacement is done in accordance with the basic original design and location, and no hazard to life, health or property has been or is created by such mechanical system.

**104.3 Changes in building occupancy.** Mechanical systems that are a part of a building or structure undergoing a change in use or occupancy as defined in the Building Code shall comply with all requirements of this code that are applicable to the new use or occupancy.

**104.4 Maintenance.** All mechanical systems, materials, equipment, appurtenances and all parts thereof shall be maintained in proper operating condition in accordance with the original design and in a safe and hazard-free condition. All devices or safeguards that were required by a code in effect when the mechanical system was installed shall be maintained in conformance with the code edition under which installed. The owner or the owner's designated agent is responsible for maintenance of mechanical systems and equipment. To determine compliance with this subsection, the code official may cause a mechanical system or equipment to be reinspected.

The fire chief and the code official each have authority to obtain compliance with the requirements of this subsection.

**Exception:** The code official may modify the requirements of this section where all or a portion of the building is unoccupied.

**104.5 Moved buildings.** Building or structures moved into or within the City shall comply with standards adopted by the code official. No building shall be moved into or within the City unless, prior to moving, the code official has inspected the building for compliance with this code and the permit holder has agreed to correct all deficiencies found and has been issued a building permit for the work. A bond or cash deposit in an amount sufficient to abate or demolish the building shall be posted prior to issuance of a permit. See Section 116 for information required on plans. Any moved building that is not in complete compliance with standards for moved buildings within eighteen months from the date of permit issuance and is found to be a public nuisance may be abated.

**104.6 Historic buildings and structures.** The code official may modify the specific requirements of this code as it applies to landmarks and require, in lieu thereof, alternate requirements that, in the opinion of the code official, will result in a reasonable degree of safety to the public and the occupants of those buildings.

For purposes of this section, a landmark is a building or structure that has been nominated for designation or has been designated for preservation by the City Landmarks Preservation Board, or that has been designated for preservation by the State of Washington, or has been listed or determined eligible to be listed in the National Register of Historic Places, or is a structure in a landmark or special review district subject to a requirement to obtain a certificate of approval before making a change to the external appearance of the structure.

## SECTION 105 ALTERNATE MATERIALS AND METHODS OF CONSTRUCTION

**105.1 Alternate materials and methods.** This code does not prevent the use of any material, design or method of construction not specifically allowed or prohibited by this code, provided the alternate has been *approved* and its use authorized by the code official. The code official may approve an alternate, provided the code official finds that the proposed alternate complies with the provisions of this code and that the alternate, when considered together with other safety features of the building or other relevant circumstances, will provide at least an equivalent level of strength, effectiveness, fire resistance, durability, safety and sanitation. The code official may require that sufficient evidence or proof be submitted to reasonably substantiate any claims regarding the use or suitability of the alternate. The code official may, but is not required to, record the approval of alternates and any relevant information in the files of the code official or on the approved *construction documents*.

## SECTION 106 MODIFICATIONS

**106.1 Modifications.** The code official may modify the provisions of this code for individual cases if the code official finds (1) there are practical difficulties involved in carrying out the provisions of this code; (2) the modification is in conformity with the intent and purpose of this code; and (3) the modification will provide a reasonable level of strength, effectiveness, fire resistance, durability, safety and sanitation when considered together with other safety features of the building or other relevant circumstances. The code official may, but is not required to, record the approval of modifications and any relevant information in the files of the code official or on the *approved construction documents*.

## SECTION 107 TESTS

**107.1 Tests.** Whenever there is insufficient evidence of compliance with the provisions of this code or evidence that any material or method of construction does not conform to the requirements of this code, the code official may require tests as proof of compliance, to be made at no expense to the City. Test methods shall be as specified in this code or by other recognized test standards. If there are no recognized and accepted test methods for the proposed alternate, the code official shall determine the test procedures. All tests shall be made by an *approved agency*. Reports of such tests shall be retained by the code official for the period required for retention of public records.

## SECTION 108 ORGANIZATION AND DUTIES OF CODE OFFICIAL

**108.1 Jurisdiction.** The Department of Planning and Development is authorized to administer and enforce this code. The Department of Planning and Development is under the admin-

istrative and operational control of the Director, who is the code official.

**108.2 Designees.** The code official may appoint such officers, inspectors, assistants and employees as are authorized from time to time. The code official may authorize such employees and other agents as may be necessary to carry out the functions of the code official.

**108.3 Right of entry.** With the consent of the owner or occupier of a building or premises, or pursuant to a lawfully issued warrant, the code official may enter a building or premises at any reasonable time to perform the duties imposed by this code.

**108.4 Liability.** Nothing in this code is intended to be nor shall be construed to create or form the basis for any liability on the part of the City, or its officers, employees or agents, for any injury or damage resulting from the failure of equipment to conform to the provisions of this code, or by reason or as a consequence of any inspection, notice, order, certificate, permission or approval authorized or issued or done in connection with the implementation or enforcement of this code, or by reason of any action or inaction on the part of the City related in any manner to the enforcement of this code by its officers, employees or agents.

This code shall not be construed to lessen or relieve the responsibility of any person owning, operating or controlling any equipment, building or structure for any damages to persons or property caused by defects, nor shall the Department of Planning and Development or the City of Seattle be held to have assumed any such liability by reason of the inspections authorized by this code or any permits or certificates issued under this code.

**108.5 Cooperation of other officials and officers.** The code official may request, and shall receive so far as is required in the discharge of the code official's duties, the assistance and cooperation of other officials of the City of Seattle.

**108.6 Responsibility for compliance.** Compliance with the requirements of this code is the obligation of the owner of the building, structure or premises, the duly authorized agent of the owner, and other persons responsible for the condition or work, and not of the City or any of its officers, employees or agents.

## SECTION 109 UNSAFE EQUIPMENT AND HAZARD CORRECTION ORDER

**109.1 Unsafe equipment.** Any equipment regulated by this code that is found to be *unsafe* is hereby declared to be a public nuisance and may be abated.

**109.2 Emergency order.** Whenever the code official finds that any equipment regulated by this code is in such a dangerous and *unsafe* condition as to constitute an imminent hazard to life or limb, the code official may issue an emergency order directing that the equipment be restored to a safe condition by a date certain. The order may also require that the building, structure or premises, or portion thereof, containing the equipment be vacated within a reasonable time to be specified in the order. In the case of extreme danger, the order may specify immediate

vacation of the building, structure or premises, or may authorize immediate disconnection of the utilities or energy source.

**109.2.1 Service of emergency order.** The order shall be posted on the premises or personally served on the owner of the building or premises or any person responsible for the condition. The order shall specify the time for compliance.

**109.2.2 Effect of emergency order.** No person may occupy a building, structure or premises, or portion thereof, after the date on which the building is required to be vacated until the building, structure or premises, or portion thereof, is restored to a safe condition as required by the order and this code. It is a violation for any person to fail to comply with an emergency order issued by the code official.

**109.3 Hazard correction order.** Whenever the code official finds that *unsafe* equipment exists, the code official may issue a hazard correction order specifying the conditions causing the equipment to be *unsafe* and directing the owner or other person responsible for the *unsafe* equipment to correct the condition by a date certain. In lieu of correction, the owner may submit a report or analysis to the code official analyzing said conditions and establishing that the equipment is, in fact, safe. The code official may require that the report or analysis be prepared by a licensed engineer.

**109.3.1 Service of hazard correction order.** The order shall be posted on the premises or personally served on the owner of the building or premises or any person responsible for the condition and shall specify the time for compliance.

**109.3.2 Effect of hazard correction order.** It is a violation for any person to fail to comply with a hazard correction order as specified in this subsection.

## SECTION 110 ADMINISTRATIVE REVIEW

**110.1 Administrative review by the code official.** Applicants may request administrative review by the code official of decisions or actions pertaining to the administration and enforcement of this code. Requests shall be addressed to the code official.

**110.2 Administrative review by the Construction Codes Advisory Board.** Applicants may request review of decisions or actions pertaining to the application and interpretation of this code by the Construction Codes Advisory Board (CCAB), except for stop work orders, notices of violations and revocations of permits. The review will be performed by three or more members of the Construction Codes Advisory Board, chosen by the Board Chair. The Chair shall consider the subject of the review and members' expertise when selecting members to conduct a review. The decision of the review panel is advisory only; the final decision is made by the code official.

## SECTION 111 ENFORCEMENT, VIOLATIONS AND PENALTIES

**111.1 Violations.** It is a violation of this code for any person to:

1. Install, erect, construct, enlarge, alter, repair, replace, remodel, move, improve, remove, convert or demolish,

equip, occupy, use or maintain any mechanical system or equipment or cause or permit the same to be done in the City, contrary to or in violation of any of the provisions of this code.

2. Use any material or install any device, appliance or equipment that is subject to this code and has not been approved by the code official.
3. Knowingly aid, abet, counsel, encourage, hire, induce or otherwise procure another to violate or fail to comply with this code.
4. Violate or fail to comply with any final order issued by the code official pursuant to the provisions of this code.
5. Remove, mutilate, destroy or conceal any notice or order issued or posted by the code official pursuant to the provisions of this code, or any notice or order issued or posted by the code official in response to a natural disaster or other emergency.
6. Conduct work under a permit without requesting an inspection as required by Section 119.

**111.2 Notice of violation.** If, after investigation, the code official determines that standards or requirements of this code have been violated or that orders or requirements have not been complied with, the code official may serve a notice of violation upon the owner, agent, or other person responsible for the action or condition. The notice of violation shall state the standards or requirements violated, shall state what corrective action, if any, is necessary to comply with the standards or requirements, and shall set a reasonable time for compliance.

**111.2.1 Service of notice of violation.** The notice shall be served upon the owner, agent or other responsible person by personal service or regular first class mail addressed to the last known address of such person, or if no address is available after reasonable inquiry, the notice may be posted in a conspicuous place on the premises. The notice may also be posted if served by personal service or first class mail. Nothing in this section limits or precludes any action or proceeding to enforce this code, and nothing obligates or requires the code official to issue a notice of violation prior to the imposition of civil or criminal penalties.

**111.2.2 Review of notice of violation by the code official.**

**111.2.2.1 Request for review.** Any person affected by a notice of violation issued pursuant to Section 111.2 may obtain a review of the notice by making a request in writing within ten days after service of the notice. When the last day of the period computed is a Saturday, Sunday, or City holiday, the period runs until 5 p.m. of the next business day.

**111.2.2.2 Review procedure.** The review shall occur not less than ten nor more than 20 days after the request is received by the code official unless otherwise agreed to by the person requesting the review. Any person affected by the notice of violation may submit additional information to the code official.

The review shall be made by a representative of the code official who will review any additional information that is submitted and the basis for issuance of the notice of violation. The reviewer may request clarification of the information received and a site visit.

**111.2.2.3 Decision.** After the review, the code official shall:

1. Sustain the notice;
2. Withdraw the notice;
3. Continue the review to a date certain; or
4. Amend the notice.

**111.2.2.4 Order.** The code official shall issue an order containing the decision within 15 days of the date that the review is completed and shall cause the order to be mailed by regular first class mail to the persons requesting the review and the persons named on the notice of violation, addressed to their last known address.

**111.3 Stop work orders.** The code official may issue a stop work order whenever any work is being done contrary to the provisions of this code, or in the event of dangerous or *unsafe* conditions related to equipment or construction. The stop work order shall identify the violation and may prohibit work or other activity on the site.

**111.3.1 Service of stop work order.** The code official may serve the stop work order by posting it in a conspicuous place at the site, if posting is physically possible. If posting is not physically possible, then the stop work order may be served in the manner set forth in Revised Code of Washington (RCW) 4.28.080 for service of a summons or by sending it by first class mail to the last known address of the property owner, the person doing or causing the work to be done, or the holder of a permit if work is being stopped on a permit. For purposes of this section, service is complete at the time of posting or of personal service, or if mailed, three days after the date of mailing. When the last day of the period so computed is a Saturday, Sunday or city holiday, the period runs until 5 p.m. on the next business day.

**111.3.2 Effective date of stop work order.** Stop work orders are effective when posted, or if posting is not physically possible, when one of the persons identified in Section 111.3.1 is served.

**111.3.3 Review of stop work orders by the code official.**

**111.3.3.1 Request for review.** Any person aggrieved by a stop work order may obtain a review of the order by delivering to the code official a request in writing within two business days of the date of service of the stop work order.

**111.3.3.2 Review procedure.** The review shall occur within two business days after receipt by the code official of the request for review unless the requestor agrees to a longer time. Any person affected by the stop work order may submit additional information to the code official for consideration as part of the review at any time prior to the review. The review will be made by a representative



of the code official who will review all additional information received and may also request a site visit.

**111.3.3.3 Decision.** After the review, the code official may:

1. Sustain the stop work order;
2. Withdraw the stop work order;
3. Modify the stop work order; or
4. Continue the review to a date certain.

**111.3.3.4 Order.** The code official shall issue an order of the code official containing the decision within two business days after the review and shall cause the order to be sent by first class mail to the person or persons requesting the review, any person on whom the stop work order was served, and any other person who requested a copy before issuance of the order.

**111.4 Authority to disconnect utilities in emergencies.** The code official has the authority to disconnect fuel-gas utility service or energy supplies to a building, structure, premises or equipment regulated by this code in case of emergency where necessary to eliminate an immediate hazard to life or property. The code official may enter any building or premises to disconnect utility service. The code official shall, whenever possible, notify the serving utility, the owner and the occupant of the building, structure or premises of the decision to disconnect prior to taking such action, and shall notify the serving utility, owner and occupant of the building, structure or premises in writing of such disconnection immediately thereafter.

**111.5 Authority to condemn equipment.** Whenever the code official determines that any equipment or portion thereof regulated by this code is hazardous to life, health or property, the code official shall order in writing that such equipment either be disconnected, removed or restored to a safe or sanitary condition, as appropriate. The written notice shall fix a date certain for compliance with such order. It is a violation for any person to use or maintain defective equipment after receiving such notice.

When any equipment or installation is to be disconnected, the code official shall give written notice of such disconnection and causes therefor within 24 hours to the serving utility, the owner and the occupant of the building, structure or premises. When any equipment is maintained in violation of this code, and in violation of a notice issued pursuant to the provisions of this section, the code official shall institute any appropriate action to prevent, restrain, correct or abate the violation.

**111.6 Connection after order to disconnect.** No person shall make connections from any energy, fuel or power supply nor supply energy or fuel to any equipment regulated by this code that has been disconnected or ordered to be disconnected by the code official, or the use of which has been ordered to be discontinued by the code official until the code official authorizes the reconnection and use of such equipment.

**111.7 Civil penalties.** Any person violating or failing to comply with the provisions of this code is subject to a cumulative civil penalty in an amount not to exceed \$500 per day for each violation from the date the violation occurs or begins until compliance is achieved. In cases where the code official has

issued a notice of violation, the violation will be deemed to begin, for purposes of determining the number of days of violation, on the date compliance is required by the notice of violation.


**111.8 Enforcement in Municipal Court.** Civil actions to enforce this chapter shall be brought exclusively in Seattle Municipal Court, except as otherwise required by law or court rule. In any civil action for a penalty, the City has the burden of proving by a preponderance of the evidence that a violation exists or existed; the issuance of a notice of violation or of an order following a review by the code official is not itself evidence that a violation exists.

**111.9 Judicial review.** Because civil actions to enforce this code must be brought exclusively in Seattle Municipal Court pursuant to Section 111.8, orders of the code official, including notices of violation issued under this chapter, are not subject to judicial review pursuant to chapter 36.70C RCW.

**111.10 Alternative criminal penalty.** Anyone who violates or fails to comply with any notice of violation or order issued by the code official pursuant to this code or who removes, mutilates, destroys or conceals a notice issued or posted by the code official shall, upon conviction thereof, be punished by a fine of not more than \$5000 or by imprisonment for not more than 365 days, or by both such fine and imprisonment for each separate violation. Each day's violation shall constitute a separate offense.

**111.11 Additional relief.** The code official may seek legal or equitable relief to enjoin any acts or practices and abate any condition when necessary to achieve compliance.

## SECTION 112 RECORDING OF ORDERS AND NOTICES

**112.1 Recording.** The code official may record a copy of any order or notice with the Department of Records and Elections of King County. 

## SECTION 113 RULES OF THE CODE OFFICIAL

**113.1 Authority.** The code official has authority to issue interpretations of this code and to adopt and enforce rules and regulations supplemental to this code as may be deemed necessary to clarify the application of the provisions of this code. Such interpretations, rules and regulations shall be in conformity with the intent and purpose of this code.

**113.2 Procedure for adoption of rules.** The code official shall promulgate, adopt and issue rules according to the procedures specified in the Administrative Code, Chapter 3.02 of the Seattle Municipal Code.

## SECTION 114 CONSTRUCTION CODES ADVISORY BOARD

**114.1 Construction Codes Advisory Board committee.** A committee of the Construction Codes Advisory Board may examine proposed administrative rules, appeals and amendments relating to this code and related provisions of other codes



and make recommendations to the code official and to the City Council for changes in this code. The committee will be called on as needed by the Construction Codes Advisory Board.

## SECTION 115 PERMITS

**115.1 Permits required.** Except as otherwise specifically provided in this code, a permit shall be obtained from the code official prior to each installation, alteration, repair, replacement or remodel of any equipment or mechanical system regulated by this code. A separate mechanical permit is required for each separate building or structure.

### 115.2 Work exempt from permit.

**115.2.1 Mechanical.** A mechanical permit is not required for the work listed below.

1. Any portable heating appliance, portable ventilating equipment, or portable cooling unit, if the total capacity of these portable appliances does not exceed 40 percent of the cumulative heating, cooling or ventilating requirements of a building or dwelling unit and does not exceed 3 kW or 10,000 Btu input.
2. Any closed system of steam, hot or chilled water piping within heating or cooling equipment regulated by this code.
3. Minor work or the replacement of any component part of a mechanical system that does not alter its original approval and complies with other applicable requirements of this code.

**115.2.2 Refrigeration.** A mechanical permit is not required for the following refrigerant equipment:

1. Any self-contained refrigerating equipment for which an operating permit is not required.
2. Any self-contained refrigeration system that does not exceed 3 horsepower rating.

**115.3 Compliance required.** All work shall comply with this code, even where no permit is required.

**115.4 Flood hazard areas.** In addition to the permit required by this section, all work to be performed in areas of special flood hazard as defined in Chapter 25.06 of the Seattle Municipal Code, subject to additional standards and requirements set forth in Chapter 25.06, the Seattle Floodplain Development Ordinance.

**115.5 Emergency repairs.** In the case of an emergency, the installation, alteration or repair of any refrigeration system or equipment may be made without a permit, provided that application for a permit is made within the later of 24 hours or one working day from the time when the emergency work was started.

## SECTION 116 APPLICATION FOR PERMIT

**116.1 Application.** To obtain a permit, the applicant shall first file an application in writing on a form furnished by the code

official or in another format determined by the code official. Every such application shall:

1. Identify and describe the work to be covered by the permit for which application is made.
2. Describe the land on which the proposed work is to be done by legal description, property address or similar description that will readily identify and definitely locate the proposed building or work.
3. Provide the contractor's business name, address, phone number and current contractor registration number (required if contractor has been selected). To obtain a permit for work on a refrigeration system, the applicant shall also provide the number of the refrigeration contractor license issued by the City.
4. Be accompanied by *construction documents*, including plans, diagrams, computations and specifications, equipment schedules and other data as required in Sections 116.2 and 116.3.
5. State the valuation of the mechanical work to be done. The valuation of the mechanical work is the estimated current value of all labor and material, whether actually paid for or not, for which the permit is sought.
6. Be signed by the owner of the property or building, or the owner's authorized agent, who may be required to submit evidence to indicate such authority.
7. Give such other data and information as may be required by the code official.
8. Indicate the name of the owner and contractor and the name, address and phone number of a contact person.

**116.2 Construction documents.** *Construction documents* shall be submitted in one or more sets with each application for a permit, or shall be submitted in electronic format determined by the code official. The code official may require plans, computations and specifications to be prepared and designed by an engineer or architect licensed by the state to practice as such. Projects having a total mechanical valuation of \$50,000 or larger shall have a mechanical engineering stamp and signature on each sheet.

**Exception:** A mechanical engineer's stamp or submission of *construction documents* is not required if the code official finds that the nature of the work applied for is such that review of *construction documents* is not necessary to obtain compliance with this code.

### 116.3 Information on construction documents.

**116.3.1 Clarity of plans.** Plans shall be drawn to a clearly indicated and commonly accepted scale upon substantial paper such as blueprint quality or standard drafting paper. Tissue paper, posterboard or cardboard will not be accepted. The plans shall be of microfilm quality and limited to a minimum size of 18 inches by 18 inches and a maximum size of 41 inches by 54 inches. Plans and specifications shall be of sufficient clarity to show that the proposed installation will conform to the provisions of this code and to the provisions of all applicable laws, ordinances, rules, regulations and orders. Plans may be submitted in electronic format as determined by the code official.

**116.3.2 Fire-resistive notes.** The code official may require that plans for buildings more than two stories in height of other than Group R-3 and Group U occupancies indicate how required structural and fire-resistive integrity will be maintained where a penetration will be made for electrical, mechanical, plumbing and communication conduits, pipes and similar systems.

**116.3.3 Information required on plans.** The plans or specifications shall show the following:

1. Layout for each floor with dimensions of all working spaces and a legend of all symbols used.
2. Location, size and material of all piping.
3. Location, size and materials of all air ducts, air inlets and air outlets.
4. Location of all fans, warm-air furnaces, boilers, absorption units, refrigerant compressors and condensers and the weight of all pieces of such equipment weighing 200 pounds or more.
5. Rated capacity or horsepower and efficiency rating of all boilers, warm-air furnaces, heat exchangers, blower fans, refrigerant compressors and absorption units. See also the *Washington State Energy Code with Seattle Amendments*.
6. Location, size and material of all combustion products vents and chimneys.
7. Location and area of all ventilation and combustion air openings and ducts.
8. Location of all air dampers and fire shutters.
9. The first sheet of each set of plans and specifications shall show the address of the proposed work and the name and address of the owner or lessee of the premises.
10. Architectural drawings, typical envelope cross sections and other drawings or data may be required to support system sizing calculations or other thermal requirements of this code or the *Washington State Energy Code with Seattle Amendments*.

## SECTION 117

### APPLICATION REVIEW AND PERMIT ISSUANCE

#### 117.1 Issuance.

**117.1.1 General.** The application and *construction documents* shall be reviewed by the code official. The *construction documents* may be reviewed by other departments of the City to check compliance with the laws and ordinances under their jurisdiction.

**117.1.2 Decision and issuance of permit.** If the code official finds that the work as described in an application for a permit and the *construction documents* substantially conform to the requirements of this code and other pertinent laws and ordinances and that the fees specified in the Fee Subtitle have been paid, the code official shall issue a permit to the applicant. When the permit is issued, the applicant or the applicant's authorized agent becomes the permit holder.

#### 117.1.3 Compliance with approved plans and permit.

When the code official issues a permit, the code official shall endorse the permit in writing or in electronic format and stamp the plans "APPROVED." Such approved plans and permit shall not be changed, modified or altered without authorization from the code official, and all work shall be done in accordance with the approved *construction documents* and permit except as the code official may require during field inspection to correct errors or omissions.

**117.2 Amendments to the permit.** When changes to the approved work are made during construction, approval of the code official shall be obtained prior to execution. The building or mechanical inspector may approve minor changes for work not reducing the structural strength or fire and life safety of the structure. The building or mechanical inspector shall determine if it is necessary to revise the approved *construction documents*. If revised plans are required, changes shall be shown on two sets of plans that shall be submitted to and approved by the code official, accompanied by appropriate fees as specified in the Fee Subtitle prior to occupancy. All changes shall conform to the requirements of this code and other pertinent laws and ordinances and other issued permits.

Minor changes shall not incur additional fees if these changes do not (1) add to the general scope of work; (2) change the basic design concept; (3) involve major relocation of equipment, ducts, or pipes; (4) substantially alter *approved* equipment size; or (5) require extensive re-review of the plans and specifications.

**117.3 Cancellation of permit applications.** Applications may be cancelled if no permit is issued by the earlier of the following: (1) twelve months following the date of application; or (2) sixty days after the date of written notice that the permit is ready to be issued. After cancellation, *construction documents* may be returned to the applicant or destroyed by the code official.

The code official shall notify the applicant in writing at least 30 days before the application is cancelled. The notice shall specify a date by which a request for extension must be submitted in order to avoid cancellation. The date shall be at least two weeks prior to the date on which the application will be cancelled.

**117.4 Extensions prior to permit issuance.** At the discretion of the code official, applications for projects that require more than 12 months to review and approve may be extended for a period that provides reasonable time to complete the review and approval, but in no case longer than 24 months from the date of the original application. No application may be extended more than once. After cancellation, the applicant shall submit a new application and pay a new fee to restart the application process.

Notwithstanding other provisions of this code, applications may be extended where issuance of the permit is delayed by litigation, preparation of environmental impact statements, appeals, strikes or other causes related to the application that are beyond the applicant's control, or while the applicant is making progress toward issuance of a master use permit.

**117.5 Retention of plans.** One set of approved plans, which may be on microfilm or in electronic format, shall be retained



by the code official. One set of approved plans shall be returned to the applicant and shall be kept at the site of the building or work for use by the inspection personnel at all times when the work authorized is in progress.

**117.6 Validity of permit.** The issuance or granting of a permit or approval of *construction documents* shall:

1. Not be construed to be a permit for, or an approval of, any violation of any of the provisions of this code or other pertinent laws and ordinances.
2. Not prevent the code official from requiring the correction of errors in the *construction documents*, or from preventing building operations being carried on thereunder when in violation of this code or of other pertinent laws and ordinances of the City.
3. Not prevent the code official from requiring correction of conditions found to be in violation of this code or other pertinent laws and ordinances of the City, or
4. Not be construed to extend the period of time for which any such permit is issued or otherwise affect any period of time for compliance specified in any notice or order issued by the code official or other administrative authority requiring the correction of any such conditions.

**117.7 Permit expiration.** Authority to do the work authorized by a permit or a renewed permit expires 18 months from the date of issuance.

**Exceptions:**

1. Initial permits for major construction projects that require more than 18 months to complete, according to a construction schedule submitted by the applicant, may be issued for a period that provides reasonable time to complete the work but in no case longer than three years.
2. The code official may issue permits that expire in less than 18 months if the code official determines a shorter period is appropriate to complete the work.

**117.8 Renewal of permits.** Permits may be renewed and renewed permits may be further renewed by the code official, if the following conditions are met:

1. Application for renewal is made within the 30-day period immediately preceding the date of expiration of the permit;
2. If the project has had an associated discretionary Land Use review, and the land use approval has not expired per Seattle Municipal Code 23.76.032; and
3. If an application for renewal is made either more than 18 months after the date of mandatory compliance with a new or revised edition of this code or after the effective date of an amendment to applicable provisions of the Land Use Code, the permit shall not be renewed unless:
  - 3.1. The code official determines that the permit complies, or is modified to comply with the code or codes in effect on the date of application renewal; or
  - 3.2. The work authorized by the permit is substantially underway and progressing at a rate

approved by the code official. “Substantially underway” means that work such as excavation, inspections, and installation of framing, electrical, mechanical and finish work is being completed on a continuing basis; and

4. Commencement or completion of the work authorized by the permit is delayed by litigation, appeals, strikes or other causes related to the work authorized by the permit, beyond the permit holder’s control if application for renewal is made within the 30-day period immediately preceding the date of expiration of the permit.

**117.9 Reestablishment.** A new permit is required to complete work if a permit has expired and was not renewed.

**Exception:** A permit that expired less than 1 year prior to the date of a request for reestablishment may be reestablished upon approval of the code official if it complies with Items 2 and 3 or Item 4 of Section 117.8.

**117.10 Revocation of mechanical permits.**

**117.10.1 Notice of revocation.** Whenever the code official determines there are grounds for revoking a permit, the code official may issue a notice of revocation. The notice of revocation shall identify the reason for the proposed revocation, including the violations, the conditions violated, and any alleged false or misleading information provided.

**117.10.2 Standards for revocation.** The code official may revoke a permit if:

1. The code or the permit has been or is being violated and issuance of a notice of violation or stop work order has been or would be ineffective to secure compliance because of circumstances related to the violation; or
2. The permit was obtained with false or misleading information.

**117.10.3 Service of notice of revocation.** The notice of revocation shall be served on the owner of the property on which the work is occurring, the holder of a permit if different than the owner, and the person doing or causing the work to be done. The notice of revocation shall be served in the manner set forth in RCW 4.28.080 for service of a summons or sent by first class mail to the last known address of the responsible party. For purposes of this section, service is complete at the time of personal service, or if mailed, three days after the date of mailing. When the last day of the period so computed is a Saturday, Sunday or city holiday, the period runs until 5 p.m. on the next business day.

**117.10.4 Effective date of revocation.** The code official shall identify in the notice of revocation a date certain on which the revocation will take effect. This date may be stayed pending complete review by the code official pursuant to Section 117.10.5.

**117.10.5 Review by the code official for notice of revocation.**

**117.10.5.1 Request for review.** Any person aggrieved by a notice of revocation may obtain a review by making a request in writing to the code official within three busi-



ness days of the date of service of the notice of revocation. The review shall occur within five business days after receipt by the code official of the request for review. Any person affected by the notice of revocation may submit additional information to the code official for consideration as part of the review at any time prior to the review.

**117.10.5.2 Conduct of review.** The review will be made by a representative of the code official who will review all additional information received and may also request a site visit. After the review, the code official may:

1. Sustain the notice of revocation and affirm or modify the date the revocation will take effect;
2. Withdraw the notice of revocation;
3. Modify the notice of revocation and affirm or modify the date the revocation will take effect; or
4. Continue the review to a date certain.

**117.10.5.3 Order of revocation of permit.** The code official shall issue an order of the code official containing the decision within ten days after the review and shall cause the same to be sent by first class mail to the person or persons requesting the review, any other person on whom the notice of revocation was served, and any other person who requested a copy before issuance of the order.

## SECTION 118 FEES

**118.1 Fees.** A fee for each mechanical permit and for other activities related to the enforcement of this code shall be paid as set forth in the Fee Subtitle.

## SECTION 119 INSPECTIONS

**119.1 General.** All construction or work for which a permit is required is subject to inspection by the code official, and certain types of construction shall have special inspections by registered special inspectors specified in Chapter 17 of the *International Building Code*.

**119.2 Inspection requests.** The owner of the property or the owner's authorized agent, or the person designated by the owner/agent to do the work authorized by a permit shall notify the code official that work requiring inspection as specified in this section and Section 120 is ready for inspection.

**119.3 Access for inspection.** The permit holder and the person requesting any inspections required by this code shall provide access to and means for proper inspection of such work, including safety equipment required by the Washington Industrial Safety and Health Agency. The work shall remain accessible and exposed for inspection purposes until approved by the code official. Neither the code official nor the City shall be liable for expense entailed in the required removal or replacement of any material to allow inspection.

**119.4 Inspection record.** Work requiring a mechanical permit shall not be commenced until the permit holder or the permit holder's agent has posted an inspection record in a conspicuous place on the premises and in a position that allows the code official to conveniently make the required entries regarding inspection of the work. This record shall be maintained in such a position by the permit holder or the permit holder's agent until final approval has been granted by the code official.

**119.5 Approvals required.** No work shall be done on any part of the building or structure beyond the point indicated in each successive inspection without first obtaining the written approval of the code official. Written approval shall be given only after an inspection has been made of each successive step in the construction as indicated by each of the inspections required in this code.

**119.5.1 Effect of approval.** Approval as a result of an inspection is not approval of any violation of the provisions of this code or of other pertinent laws and ordinances of the City. Inspections presuming to give authority to violate or cancel the provisions of this code or of other pertinent laws and ordinances of the City are not valid.

**119.6 Final inspection.** When the installation of a mechanical system is complete, an additional and final inspection shall be made.

**119.7 Operation of mechanical equipment.** The requirements of this section do not prohibit the operation of any mechanical systems installed to replace existing equipment or fixtures serving an occupied portion of the building in the event a request for inspection of such equipment or fixture has been filed with the code official not more than 48 hours after such replacement work is completed, and before any portion of such mechanical system is concealed by any permanent portion of the building.

**119.8 Testing of equipment and systems.** Refrigeration equipment regulated by this code shall be tested and *approved* as required by Chapter 11 of this code. Fuel-oil piping shall be tested and *approved* as required by Chapter 13 of this code.

**119.9 Other inspections.** In addition to the "called" inspections specified above, the code official may make or require any other inspections of any mechanical work to ascertain compliance with the provisions of this code and other laws and ordinances that are enforced by the code official.

**119.10 Special investigation.** If work for which a permit or approval is required is commenced or performed prior to making formal application and receiving the code official's permission to proceed, the code official may make a special investigation inspection before a permit is issued for the work. If a special investigation is made, a special investigation fee may be assessed in accordance with the Fee Subtitle.

**119.11 Reinspections.** The code official may require a reinspection if work for which inspection is called is not complete, corrections required are not made, the inspection record is not properly posted on the work site, the approved plans are not readily available to the inspector, access is not provided on the date for which inspection is requested, if deviations from *construction documents* that require the approval of the code official

## ADMINISTRATION

cial have been made without proper approval, or as otherwise required by the code official.

**119.11.1 Compliance with Section 104.4.** For the purpose of determining compliance with Section 104.4, the code official or the fire chief may cause any structure or system to be reinspected.

**119.11.2 Reinspection fee.** The code official may assess a reinspection fee as set forth in the Fee Subtitle for any action for which reinspection is required. In instances where reinspection fees have been assessed, no additional inspection of the work will be performed until the required fees have been paid.

### SECTION 120 CONNECTION APPROVAL

**120.1 Energy connections.** No person shall make connections from a source of energy fuel to a mechanical system or equipment regulated by this code for which a permit is required until approved by the code official.

**120.2 Temporary connections.** The code official may authorize temporary connection of the mechanical equipment to the source of energy fuel for the purpose of testing the equipment, or for use under a temporary certificate of occupancy.

### SECTION 121 REFRIGERATION LICENSES

**121.1 Refrigeration licenses.** No person shall perform any of the services or activities related to refrigeration systems regulated by Chapter 11 without a license required by Chapter 6.82 of the Seattle Municipal Code, or under the direct supervision of a person holding a required license.

### SECTION 122 OPERATING PERMITS FOR REFRIGERATION SYSTEMS

**122.1** An operating permit issued by the code official is required to operate any refrigeration system meeting any one of the following criteria:

1. Any system over 50 horsepower, or
2. Any system over 50 tons of refrigerant effect, or
3. Any system that contains over 150 pounds of refrigerant, or
4. Any system that includes a refrigerant containing a pressure vessel over 6 inches in diameter with a capacity of more than 5 cubic feet and a design working pressure under 250 psig, or
5. Any system that includes a refrigerant containing a pressure vessel over 6 inches in diameter having a capacity of 1½ cubic feet and a design working pressure over 250 psig.

**122.2** The operating permit will not be issued until the system has been inspected and approved by the code official as safe to operate and in compliance with the provisions of this code. The permit is valid for a period of one year, renewable annually. The permit shall be displayed in a conspicuous place adjacent to the refrigeration system.

## CHAPTER 2

# DEFINITIONS

### SECTION 201 GENERAL

**201.1 Scope.** Unless otherwise expressly stated, the following words and terms shall, for the purposes of this code, have the meanings indicated in this chapter.

**201.2 Interchangeability.** Words used in the present tense include the future; words in the masculine gender include the feminine and neuter; the singular number includes the plural and the plural, the singular.

**201.3 Terms defined in other codes.** Where terms are not defined in this code and are defined in the *International Building Code*, *Seattle Electrical Code*, *International Fire Code*, *International Fuel Gas Code* or the ((*International*)) *Uniform Plumbing Code*, such terms shall have meanings ascribed to them as in those codes.

**201.4 Terms not defined.** Where terms are not defined through the methods authorized by this section, such terms shall have ordinarily accepted meanings such as the context implies.

### SECTION 202 GENERAL DEFINITIONS

**ABRASIVE MATERIALS.** Moderately abrasive particulate in high concentrations, and highly abrasive particulate in moderate and high concentrations, such as alumina, bauxite, iron silicate, sand and slag.

**ABSORPTION SYSTEM.** A refrigerating system in which refrigerant is pressurized by pumping a chemical solution of refrigerant in absorbent, and then separated by the addition of heat in a generator, condensed (to reject heat), expanded, evaporated (to provide refrigeration), and reabsorbed in an absorber to repeat the cycle; the system may be single or multiple effect, the latter using multiple stages or internally cascaded use of heat to improve efficiency.

**ACCESS (TO).** That which enables a device, *appliance* or *equipment* to be reached by ready access or by a means that first requires the removal or movement of a panel, door or similar obstruction [see also “Ready access (to)”].

**AIR.** All air supplied to mechanical *equipment* and appliances for *combustion*, ventilation, cooling, etc. Standard air is air at standard temperature and pressure, namely, 70°F (21°C) and 29.92 inches of mercury (101.3 kPa).

**AIR CONDITIONING.** The treatment of air so as to control simultaneously the temperature, humidity, cleanness and distribution of the air to meet the requirements of a conditioned space.

**AIR-CONDITIONING SYSTEM.** A system that consists of heat exchangers, blowers, filters, supply, exhaust and return ducts, and shall include any apparatus installed in connection therewith.

**AIR DISPERSION SYSTEM.** Any diffuser system designed to both convey air within a room, space or area and diffuse air

into that space while operating under positive pressure. Systems are commonly constructed of, but not limited to, fabric or plastic film.

**AIR DISTRIBUTION SYSTEM.** Any system of ducts, plenums and air-handling *equipment* that circulates air within a space or spaces and includes systems made up of one or more air-handling units.

**AIR, EXHAUST.** Air being removed from any space, *appliance* or piece of *equipment* and conveyed directly to the atmosphere by means of openings or ducts.

**AIR-HANDLING UNIT.** A blower or fan used for the purpose of distributing supply air to a room, space or area.

**AIR, MAKEUP.** Air that is provided to replace air being exhausted.

**ALTERATION.** A change in a mechanical system that involves an extension, addition or change to the arrangement, type or purpose of the original installation.

**APPLIANCE.** A device or apparatus that is manufactured and designed to utilize energy and for which this code provides specific requirements.

**APPLIANCE, EXISTING.** Any *appliance* regulated by this code which was legally installed prior to the effective date of this code, or for which a permit to install has been issued.

**APPLIANCE TYPE.**

**High-heat appliance.** Any *appliance* in which the products of *combustion* at the point of entrance to the flue under normal operating conditions have a temperature greater than 2,000°F (1093°C).

**Low-heat appliance (residential appliance).** Any *appliance* in which the products of *combustion* at the point of entrance to the flue under normal operating conditions have a temperature of 1,000°F (538°C) or less.

**Medium-heat appliance.** Any *appliance* in which the products of *combustion* at the point of entrance to the flue under normal operating conditions have a temperature of more than 1,000°F (538°C), but not greater than 2,000°F (1093°C).

**APPLIANCE, VENTED.** An *appliance* designed and installed in such a manner that all of the products of *combustion* are conveyed directly from the *appliance* to the outdoor atmosphere through an *approved chimney* or vent system.

**APPROVED.** Acceptable to the code official or other authority having jurisdiction.

**APPROVED AGENCY.** An established and recognized agency that is *approved* by the code official and regularly engaged in conducting tests or furnishing inspection services.

~~((AUTOMATIC BOILER. Any class of boiler that is equipped with the controls and limit devices specified in Chapter 10.))~~

## DEFINITIONS

**BATHROOM.** A room containing a bathtub, shower, spa or similar bathing fixture.

**BOILER.** A closed heating *appliance* intended to supply hot water or steam for space heating, processing or power purposes. ((Low-pressure boilers operate at pressures less than or equal to 15 pounds per square inch (psi) (103 kPa) for steam and 160 psi (1103 kPa) for water. High-pressure boilers operate at pressures exceeding those pressures.))

**BOILER CODE.** *The Seattle Boiler and Pressure Vessel Code.*

**BOILER ROOM.** A room primarily utilized for the installation of a boiler.

**BRAZED JOINT.** A gas-tight joint obtained by the joining of metal parts with metallic mixtures or alloys which melt at a temperature above 1,000°F (538°C), but lower than the melting temperature of the parts to be joined.

**BRAZING.** A metal joining process wherein coalescence is produced by the use of a nonferrous filler metal having a melting point above 1,000°F (538°C), but lower than that of the base metal being joined. The filler material is distributed between the closely fitted surfaces of the joint by capillary attraction.

**BREATHING ZONE.** The region within an occupied space between planes 3 and 72 inches (76 and 1829 mm) above the floor and more than 2 feet (610 mm) from the walls of the space or from fixed air-conditioning *equipment*.

**BTU.** Abbreviation for British thermal unit, which is the quantity of heat required to raise the temperature of 1 pound (454 g) of water 1°F (0.56°C) (1 Btu = 1055 J).

**BUILDING.** Any structure occupied or intended for supporting or sheltering any *occupancy*.

**CEILING RADIATION DAMPER.** A *listed* device installed in a ceiling membrane of a fire-resistance-rated floor/ceiling or roof/ceiling assembly to limit automatically the radiative heat transfer through an air inlet/outlet opening.

**CHIMNEY.** A primarily vertical structure containing one or more flues, for the purpose of carrying gaseous products of *combustion* and air from a fuel-burning *appliance* to the outdoor atmosphere.

**Factory-built chimney.** A *listed* and *labeled chimney* composed of factory-made components, assembled in the field in accordance with manufacturer's instructions and the conditions of the listing.

**Masonry chimney.** A field-constructed *chimney* composed of solid masonry units, bricks, stones or concrete.

**Metal chimney.** A field-constructed *chimney* of metal.

**CHIMNEY CONNECTOR.** A pipe that connects a fuel-burning *appliance* to a *chimney*.

**CLEARANCE.** The minimum distance through air measured between the heat-producing surface of the mechanical *appliance*, device or *equipment* and the surface of the combustible material or assembly.

**CLOSED COMBUSTION SOLID-FUEL-BURNING APPLIANCE.** A heat-producing *appliance* that employs a *combustion* chamber that has no openings other than the flue collar, fuel charging door and adjustable openings provided to

control the amount of *combustion air* that enters the *combustion* chamber.

**CLOTHES DRYER.** An *appliance* used to dry wet laundry by means of heat. Dryer classifications are as follows:

**Type 1.** Factory-built package, multiple production. Primarily used in family living environment. Usually the smallest unit physically and in function output.

**Type 2.** Factory-built package, multiple production. Used in business with direct intercourse of the function with the public. Not designed for use in individual family living environment.

**CODE.** These regulations, subsequent amendments thereto, or any emergency rule or regulation that ((the administrative authority having jurisdiction)) has been lawfully adopted.

**CODE OFFICIAL.** ((The officer or other designated authority charged with the administration and enforcement of this code.)) Director of the Department of Planning and Development or a duly authorized representative.

**COMBINATION FIRE/SMOKE DAMPER.** A *listed* device installed in ducts and air transfer openings designed to close automatically upon the detection of heat and resist the passage of flame and smoke. The device is installed to operate automatically, be controlled by a smoke detection system, and where required, is capable of being positioned from a fire command center.

**COMBUSTIBLE ASSEMBLY.** Wall, floor, ceiling or other assembly constructed of one or more component materials that are not defined as noncombustible.

**COMBUSTIBLE LIQUIDS.** Any liquids having a flash point at or above 100°F (38°C), and that are divided into the following classifications:

**Class II.** Liquids having flash points at or above 100°F (38°C) and below 140°F (60°C).

**Class IIIA.** Liquids having flash points at or above 140°F (60°C) and below 200°F (93°C).

**Class IIIB.** Liquids having flash points at or above 200°F (93°C).

**COMBUSTIBLE MATERIAL.** Any material not defined as noncombustible.

**COMBUSTION.** In the context of this code, refers to the rapid oxidation of fuel accompanied by the production of heat or heat and light.

**COMBUSTION AIR.** Air necessary for complete *combustion* of a fuel, including *theoretical air* and excess air.

**COMBUSTION CHAMBER.** The portion of an *appliance* within which *combustion* occurs.

**COMBUSTION PRODUCTS.** Constituents resulting from the *combustion* of a fuel with the oxygen of the air, including the inert gases, but excluding excess air.

**COMMERCIAL COOKING APPLIANCES.** Appliances used in a commercial food service establishment for heating or cooking food and which produce grease vapors, steam, fumes, smoke or odors that are required to be removed through a local



exhaust ventilation system. Such appliances include deep fat fryers; upright broilers; griddles; broilers; steam-jacketed kettles; hot-top ranges; under-fired broilers (charbroilers); ovens; barbecues; rotisseries; and similar appliances. For the purpose of this definition, a food service establishment shall include any building or a portion thereof used for the preparation and serving of food.

**COMMERCIAL COOKING RECIRCULATING SYSTEM.** Self-contained system consisting of the exhaust hood, the cooking *equipment*, the filters and the fire suppression system. The system is designed to capture cooking vapors and residues generated from commercial cooking *equipment*. The system removes contaminants from the *exhaust air* and recirculates the air to the space from which it was withdrawn.

### COMMERCIAL KITCHEN HOODS.

**Backshelf hood.** A backshelf hood is also referred to as a low-proximity hood, or as a sidewall hood where wall mounted. Its front lower lip is low over the *appliance(s)* and is “set back” from the front of the *appliance(s)*. It is always closed to the rear of the appliances by a panel where free-standing, or by a panel or wall where wall mounted, and its height above the cooking surface varies. (This style of hood can be constructed with partial end panels to increase its effectiveness in capturing the effluent generated by the cooking operation).

**Double island canopy hood.** A double island canopy hood is placed over back-to-back appliances or *appliance* lines. It is open on all sides and overhangs both fronts and the sides of the *appliance(s)*. It could have a wall panel between the backs of the appliances. (The fact that *exhaust air* is drawn from both sides of the double canopy to meet in the center causes each side of this hood to emulate a wall canopy hood, and thus it functions much the same with or without an actual wall panel between the backs of the appliances).

**Eyebrow hood.** An eyebrow hood is mounted directly to the face of an *appliance*, such as an oven and dishwasher, above the opening(s) or door(s) from which effluent is emitted, extending past the sides and overhanging the front of the opening to capture the effluent.

**Pass-over hood.** A pass-over hood is a free-standing form of a backshelf hood constructed low enough to pass food over the top.

**Single island canopy hood.** A single island canopy hood is placed over a single *appliance* or *appliance* line. It is open on all sides and overhangs the front, rear and sides of the *appliance(s)*. A single island canopy is more susceptible to cross drafts and requires a greater *exhaust air* flow than an equivalent sized wall-mounted canopy to capture and contain effluent generated by the cooking operation(s).

**Wall canopy hood.** A wall canopy exhaust hood is mounted against a wall above a single *appliance* or line of *appliance(s)*, or it could be free-standing with a back panel from the rear of the appliances to the hood. It overhangs the front and sides of the *appliance(s)* on all open sides.

The wall acts as a back panel, forcing the *makeup air* to be drawn across the front of the cooking *equipment*, thus

increasing the effectiveness of the hood to capture and contain effluent generated by the cooking operation(s).

**COMPENSATING HOODS.** *Compensating hoods* are those having integral (built-in) *makeup air* supply. The *makeup air* supply for such hoods is generally supplied from: short-circuit flow from inside the hood, air curtain flow from the bottom of the front face, and front face discharge from the outside front wall of the hood. The compensating makeup airflow can also be supplied from the rear or side of the hood, or the rear, front or sides of the cooking *equipment*. The makeup airflow can be one or a combination of methods.

**COMPRESSOR.** A specific machine, with or without accessories, for compressing a gas.

**COMPRESSOR, POSITIVE DISPLACEMENT.** A compressor in which increase in pressure is attained by changing the internal volume of the compression chamber.

**COMPRESSOR UNIT.** A compressor with its prime mover and accessories.

**CONCEALED LOCATION.** A location that cannot be accessed without damaging permanent parts of the building structure or finish surface. Spaces above, below or behind readily removable panels or doors shall not be considered as concealed.

**CONDENSATE.** The liquid that condenses from a gas (including flue gas) caused by a reduction in temperature.

**CONDENSER.** A heat exchanger designed to liquefy refrigerant vapor by removal of heat.

**CONDENSING UNIT.** A specific refrigerating machine combination for a given refrigerant, consisting of one or more power-driven compressors, condensers, liquid receivers (when required) and the regularly furnished accessories.

**CONDITIONED SPACE.** (~~An area, room or space being heated or cooled by any equipment or appliance.~~) A cooled space, heated space (fully heated), heated space (semi-heated), or indirectly conditioned space.

**CONFINED SPACE.** A space having a volume less than 50 cubic feet per 1,000 British thermal units per hour (Btu/h) (4.8 m<sup>3</sup>/kW) of the aggregate input rating of all appliances installed in that space.

**CONSTRUCTION DOCUMENTS.** All of the written, graphic and pictorial documents prepared or assembled for describing the design, location and physical characteristics of the elements of the project necessary for obtaining a building permit. The construction drawings shall be drawn to an appropriate scale.

**CONTAINER (REFRIGERANT).** A cylinder for the transportation of refrigerant.

**CONTROL.** A manual or automatic device designed to regulate the gas, air, water or electrical supply to, or operation of, a mechanical system.

**CONVERSION BURNER.** A burner designed to supply gaseous fuel to an *appliance* originally designed to utilize another fuel.

**COOKING APPLIANCE.** See “Commercial cooking appliances.”

## DEFINITIONS

**CRITICAL PRESSURE, CRITICAL TEMPERATURE, AND CRITICAL VOLUME.** Terms given to the state points of a substance at which liquid and vapor have identical properties. Above the critical pressure or critical temperature there is no line of demarcation between liquid and gaseous phases.

**DAMPER.** A manually or automatically controlled device to regulate draft or the rate of flow of air or *combustion* gases.

**Backdraft damper.** A damper installed to restrict introduction of unconditioned air from an unconditioned space to a conditioned space.

**Barometric damper.** Any *listed* device that freely allows the flow of air in one direction, but does not allow conditioned air to escape. All installed combustion air dampers shall meet the installation requirements of the manufacturer.

**Chimney damper.** A movable valve or plate within the chimney connector for controlling the draft or flow of combustion gases.

**Fire damper.** See “Fire damper.”

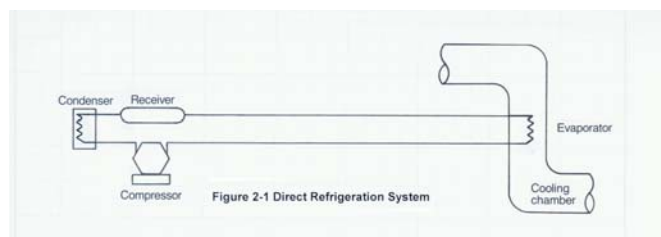
**Smoke damper.** See “Smoke damper.”

**Volume damper.** A device that, when installed, will restrict, retard or direct the flow of air in a duct, or the products of *combustion* in a heat-producing *appliance*, its vent connector, vent or *chimney* therefrom.

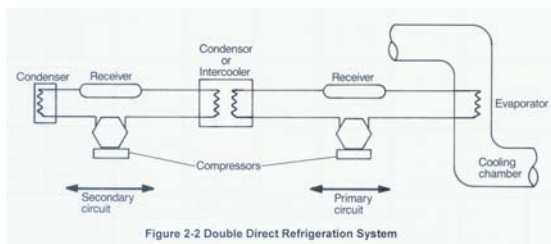
**DESIGN FLOOD ELEVATION.** The elevation of the “design flood,” including wave height, relative to the datum specified on the community’s legally designated flood hazard area map.

**DESIGN WORKING PRESSURE.** The maximum allowable working pressure for which a specific part of a system is designed.

**DIRECT REFRIGERATION SYSTEM.** A system in which the evaporator or condenser of the refrigerating system is in direct contact with the air or other substances to be cooled or heated. See Figure 2-1.



**Double direct refrigeration system.** A system in which an evaporative refrigerant is used in a secondary circuit to condense or cool a refrigerant in a primary circuit. For the purpose of this code, each system enclosing a separate body of an evaporative refrigerant is considered a separate direct system. See Figure 2-2.



**DIRECT-VENT APPLIANCES.** Appliances that are constructed and installed so that all air for *combustion* is derived from the outdoor atmosphere and all flue gases are discharged to the outdoor atmosphere.

**DRAFT.** The pressure difference existing between the *appliance* or any component part and the atmosphere, that causes a continuous flow of air and products of *combustion* through the gas passages of the *appliance* to the atmosphere.

**Induced draft.** The pressure difference created by the action of a fan, blower or ejector, that is located between the *appliance* and the *chimney* or vent termination.

**Natural draft.** The pressure difference created by a vent or *chimney* because of its height, and the temperature difference between the flue gases and the atmosphere.

**DRIP.** The container placed at a low point in a system of piping to collect condensate and from which the condensate is removable.

**DRY CLEANING SYSTEMS.** Dry cleaning plants or systems are classified as follows:

**Type I.** Those systems using Class I flammable liquid solvents having a flash point below 100°F (38°C).

**Type II.** Those systems using Class II combustible liquid solvents having a flash point at or above 100°F (38°C) and below 140°F (60°C).

**Type III.** Those systems using Class III combustible liquid solvents having a flash point at or above 140°F (60°C).

**Types IV and V.** Those systems using Class IV nonflammable liquid solvents.

**DUCT.** A tube or conduit utilized for conveying air. The air passages of self-contained systems are not to be construed as air ducts.

**DUCT FURNACE.** A warm-air furnace normally installed in an air distribution duct to supply warm air for heating. This definition shall apply only to a warm-air heating *appliance* that, for air circulation, depends on a blower not furnished as part of the furnace.

**DUCT SYSTEM.** A continuous passageway for the transmission of air that, in addition to ducts, includes duct fittings, dampers, plenums, fans and accessory air-handling *equipment* and appliances.

**DWELLING.** A building or portion thereof that contains not more than two *dwelling* units.

**DWELLING UNIT.** A single unit providing complete, independent living facilities for one or more persons, including permanent provisions for living, sleeping, eating, cooking and sanitation.

**ELECTRIC HEATING APPLIANCE.** An *appliance* that produces heat energy to create a warm environment by the application of electric power to resistance elements, refrigerant compressors or dissimilar material junctions.

**ENERGY CODE.** The *Washington State Energy Code with Seattle Amendments*.

**ENERGY RECOVERY VENTILATION SYSTEM.** Systems that employ air-to-air heat exchangers to recover energy from or reject energy to *exhaust air* for the purpose of pre-heating, pre-cooling, humidifying or dehumidifying outdoor *ventilation air* prior to supplying such air to a space, either directly or as part of an HVAC system.

**ENVIRONMENTAL AIR.** Air that is, at temperatures not exceeding 250°F (121°C), conveyed to or from occupied areas through ducts which are not part of the heating or air-conditioning system, such as ventilation for human usage, *relief air*, domestic kitchen range exhaust, bathroom exhaust, ~~((and))~~ domestic clothes dryer exhaust, parking garage exhaust, trans-former vault exhaust, and elevator exhaust.

**EQUIPMENT.** All piping, ducts, vents, control devices and other components of systems other than appliances which are permanently installed and integrated to provide control of environmental conditions for buildings. This definition shall also include other systems specifically regulated in this code.

**EQUIPMENT, EXISTING.** Any *equipment* regulated by this code which was legally installed prior to the effective date of this code, or for which a permit to install has been issued.

**EVAPORATIVE COOLER.** A device used for reducing the sensible heat of air for cooling by the process of evaporation of water into an airstream.

**EVAPORATIVE COOLING SYSTEM.** The *equipment* and appliances intended or installed for the purpose of environmental cooling by an evaporative cooler from which the conditioned air is distributed through ducts or plenums to the conditioned area.

**EVAPORATOR.** That part of the system in which liquid refrigerant is vaporized to produce refrigeration.

**EXCESS AIR.** The amount of air provided in addition to *theoretical air* to achieve complete *combustion* of a fuel, thereby preventing the formation of dangerous products of *combustion*.

**EXHAUST SYSTEM.** An assembly of connected ducts, plenums, fittings, registers, grilles and hoods through which air is conducted from the space or spaces and exhausted to the outdoor atmosphere.

**EXTRA-HEAVY-DUTY COOKING APPLIANCE.** Extra-heavy-duty cooking *appliances* include appliances utilizing solid fuel such as wood, charcoal, briquettes, and mesquite to provide all or part of the heat source for cooking.

**FIRE DAMPER.** A *listed* device installed in ducts and air transfer openings designed to close automatically upon detection of heat and to restrict the passage of flame. Fire dampers are classified for use in either static systems that will automatically shut down in the event of a fire, or in dynamic systems that continue to operate during a fire. A dynamic fire damper is tested and rated for closure under elevated temperature airflow.

**FIREPLACE.** An assembly consisting of a hearth and fire chamber of noncombustible material and provided with a *chimney*, for use with solid fuels.

**Factory-built fireplace.** A *listed* and *labeled* fireplace and *chimney* system composed of factory-made components,

and assembled in the field in accordance with manufacturer's instructions and the conditions of the listing.

**Masonry fireplace.** A field-constructed fireplace composed of solid masonry units, bricks, stones or concrete.

**FIREPLACE STOVE.** A free-standing chimney-connected solid-fuel-burning heater, designed to be operated with the fire chamber doors in either the open or closed position.

**FLAME SAFEGUARD.** A device that will automatically shut off the fuel supply to a main burner or group of burners when the means of ignition of such burners becomes inoperative, and when flame failure occurs on the burner or group of burners.

**FLAME SPREAD INDEX.** The numerical value assigned to a material tested in accordance with ASTM E 84 or UL 723.

**FLAMMABILITY CLASSIFICATION.** Refrigerants shall be assigned to one of the three classes—1, 2 or 3—in accordance with ASHRAE 34. For Classes 2 and 3, the heat of *combustion* shall be calculated assuming that *combustion* products are in the gas phase and in their most stable state.

**Class 1.** Refrigerants that do not show flame propagation when tested in air at 14.7 psia (101 kPa) and 70°F (21°C).

**Class 2.** Refrigerants having a lower flammability limit (LFL) of more than 0.00625 pound per cubic foot (0.10 kg/m<sup>3</sup>) at 70°F (21°C) and 14.7 psia (101 kPa) and a heat of *combustion* of less than 8,174 Btu/lb (19 000 kJ/kg).

**Class 3.** Refrigerants that are highly flammable, having a LFL of less than or equal to 0.00625 pound per cubic foot (0.10 kg/m<sup>3</sup>) at 70°F (21°C) and 14.7 psia (101 kPa) or a heat of *combustion* greater than or equal to 8,174 Btu/lb (19 000 kJ/kg).

**FLAMMABLE LIQUIDS.** Any liquid that has a flash point below 100°F (38°C), and has a vapor pressure not exceeding 40 psia (276 kPa) at 100°F (38°C). Flammable liquids shall be known as Class I liquids and shall be divided into the following classifications:

**Class IA.** Liquids having a flash point below 73°F (23°C) and a boiling point below 100°F (38°C).

**Class IB.** Liquids having a flash point below 73°F (23°C) and a boiling point at or above 100°F (38°C).

**Class IC.** Liquids having a flash point at or above 73°F (23°C) and below 100°F (38°C).

**FLAMMABLE VAPOR OR FUMES.** Mixtures of gases in air at concentrations equal to or greater than the LFL and less than or equal to the upper flammability limit (UFL).

**FLASH POINT.** The minimum temperature corrected to a pressure of 14.7 psia (101 kPa) at which the application of a test flame causes the vapors of a portion of the sample to ignite under the conditions specified by the test procedures and apparatus. The flash point of a liquid shall be determined in accordance with ASTM D 56, ASTM D 93 or ASTM D 3278.

**FLOOR AREA, NET.** The actual occupied area, not including unoccupied accessory areas or thicknesses of walls.

**FLOOR FURNACE.** A completely self-contained furnace suspended from the floor of the space being heated, taking air



## DEFINITIONS

for *combustion* from outside such space and with means for observing flames and lighting the *appliance* from such space.

**FLUE.** A passageway within a *chimney* or vent through which gaseous *combustion* products pass.

**FLUE CONNECTION (BREECHING).** A passage for conducting the products of *combustion* from a fuel-fired *appliance* to the vent or *chimney* (see also “*Chimney connector*” and “*Vent connector*”).

**FLUE GASES.** Products of *combustion* and excess air.

**FLUE LINER (LINING).** A system or material used to form the inside surface of a flue in a *chimney* or vent, for the purpose of protecting the surrounding structure from the effects of *combustion* products and conveying *combustion* products without leakage to the atmosphere.

**FUEL GAS.** A natural gas, manufactured gas, liquefied petroleum gas or a mixture of these.

**FUEL OIL.** Kerosene or any hydrocarbon oil having a flash point not less than 100°F (38°C).

**FUEL-OIL PIPING SYSTEM.** A closed piping system that connects a combustible liquid from a source of supply to a fuel-oil-burning *appliance*.

**FURNACE.** A completely self-contained heating unit that is designed to supply heated air to spaces remote from or adjacent to the *appliance* location.

**FURNACE ROOM.** A room primarily utilized for the installation of fuel-burning, space-heating and water-heating appliances other than boilers (see also “*Boiler room*”).

**FUSIBLE PLUG.** A device arranged to relieve pressure by operation of a fusible member at a predetermined temperature.

**[F] GAS ROOM.** A separately ventilated, fully enclosed room in which only compressed gases and associated equipment and supplies are stored or used.

**GROUND SOURCE HEAT PUMP LOOP SYSTEM.** Piping buried in horizontal or vertical excavations or placed in a body of water for the purpose of transporting heat transfer liquid to and from a heat pump. Included in this definition are closed loop systems in which the liquid is recirculated and open loop systems in which the liquid is drawn from a well or other source.

**HAZARDOUS LOCATION.** Any location considered to be a fire hazard for flammable vapors, dust, combustible fibers or other highly combustible substances. The location is not necessarily categorized in the *International Building Code* as a high-hazard use group classification.

**HEAT EXCHANGER.** A device that transfers heat from one medium to another.

**HEAT PUMP.** A refrigeration system that extracts heat from one substance and transfers it to another portion of the same substance or to a second substance at a higher temperature for a beneficial purpose.

**HEAT TRANSFER LIQUID.** The operating or thermal storage liquid in a mechanical system, including water or other liquid base, and additives at the concentration present under

operating conditions used to move heat from one location to another. Refrigerants are not included as heat transfer liquids.

**HEAVY-DUTY COOKING APPLIANCE.** Heavy-duty cooking *appliances* include electric under-fired broilers, electric chain (conveyor) broilers, gas under-fired broilers, gas chain (conveyor) broilers, gas open-burner ranges (with or without oven), electric and gas wok ranges, and electric and gas over-fired (upright) broilers and salamanders.

**HIGH-PROBABILITY SYSTEMS.** A refrigeration system in which the basic design or the location of components is such that a leakage of refrigerant from a failed connection, seal or component will enter an *occupancy* classified area, other than the *machinery room*.

**[B] HIGH-RISE BUILDING.** A building with an occupied floor located more than 75 feet (22 860 mm) above the lowest level of fire department vehicle access.

**HIGH-SIDE PRESSURE.** The parts of a refrigerating system subject to condenser pressure.

**HOOD.** An air intake device used to capture by entrapment, impingement, adhesion or similar means, grease, moisture, heat and similar contaminants before they enter a duct system.

**Type I.** A kitchen hood for collecting and removing grease vapors and smoke generated from medium-duty, heavy-duty, extra-heavy-duty, and some light-duty cooking appliances. Such hoods are equipped with a fire suppression system.

**Type II.** A general kitchen hood for collecting and removing steam, vapor, heat, odors and products of *combustion* generated from some light-duty cooking appliances.

**HYDROGEN GENERATING APPLIANCE.** A self-contained package or factory-matched packages of integrated systems for generating gaseous hydrogen. Hydrogen generating appliances utilize electrolysis, reformation, chemical, or other processes to generate hydrogen.

**IGNITION SOURCE.** A flame, spark or hot surface capable of igniting flammable vapors or fumes. Such sources include *appliance* burners, burner ignitors and electrical switching devices.

**IMMEDIATELY DANGEROUS TO LIFE OR HEALTH (IDLH).** The concentration of airborne contaminants that poses a threat of death, immediate or delayed permanent adverse health effects, or effects that could prevent escape from such an environment. This contaminant concentration level is established by the National Institute of Occupational Safety and Health (NIOSH) based on both toxicity and flammability. It is generally expressed in parts per million by volume (ppm v/v) or milligrams per cubic meter (mg/m<sup>3</sup>).

**INDIRECT REFRIGERATION SYSTEM.** A system in which a secondary coolant cooled or heated by the refrigerating system is circulated to the air or other substance to be cooled or heated (see *Figure 2-3*). Indirect systems are distinguished by the method of application shown below:

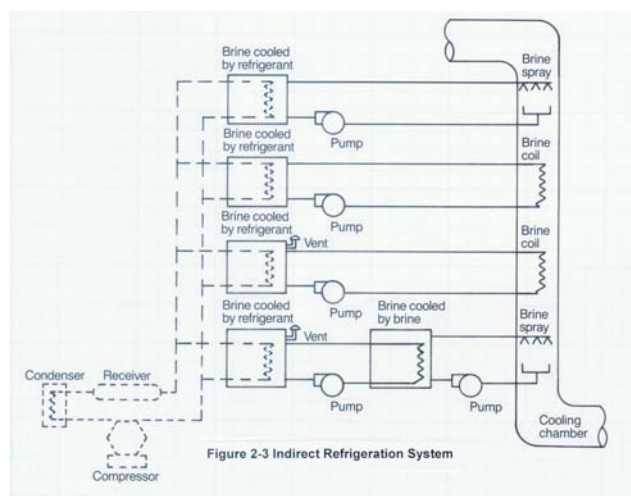
**Closed system.** A system in which a secondary fluid is either cooled or heated by the refrigerating system and then

circulated within a closed circuit in indirect contact with the air or other substance to be cooled or heated.

**Double-indirect open-spray system.** A system in which the secondary substance for an indirect open-spray system is heated or cooled by an intermediate coolant circulated from a second enclosure.

**Open-spray system.** A system in which a secondary coolant is cooled or heated by the refrigerating system and then circulated in direct contact with the air or other substance to be cooled or heated.

**Vented closed system.** A system in which a secondary coolant is cooled or heated by the refrigerating system and then passed through a closed circuit in the air or other substance to be cooled or heated, except that the evaporator or condenser is placed in an open or appropriately vented tank.



**INTERLOCK.** A device actuated by another device with which it is directly associated, to govern succeeding operations of the same or allied devices. A circuit in which a given action cannot occur until after one or more other actions have taken place.

**JOINT, FLANGED.** A joint made by bolting together a pair of flanged ends.

**JOINT, FLARED.** A metal-to-metal compression joint in which a conical spread is made on the end of a tube that is compressed by a flare nut against a mating flare.

**JOINT, MECHANICAL.** A general form of gas-tight joints obtained by the joining of metal parts through a positive-holding mechanical construction, such as flanged joint, screwed joint or flared joint.

**JOINT, PLASTIC ADHESIVE.** A joint made in thermoset plastic piping by the use of an adhesive substance which forms a continuous bond between the mating surfaces without dissolving either one of them.

**JOINT, PLASTIC HEAT FUSION.** A joint made in thermoplastic piping by heating the parts sufficiently to permit fusion of the materials when the parts are pressed together.

**JOINT, PLASTIC SOLVENT CEMENT.** A joint made in thermoplastic piping by the use of a solvent or solvent cement which forms a continuous bond between the mating surfaces.

**JOINT, SOLDERED.** A gas-tight joint obtained by the joining of metal parts with metallic mixtures of alloys which melt at temperatures between 400°F (204°C) and 1,000°F (538°C).

**JOINT, WELDED.** A gas-tight joint obtained by the joining of metal parts in molten state.

**LABELED.** *Equipment, materials or products* to which have been affixed a label, seal, symbol or other identifying mark of a nationally recognized testing laboratory, inspection agency or other organization concerned with product evaluation that maintains periodic inspection of the production of the above-labeled items and whose labeling indicates either that the *equipment, material or product* meets identified standards or has been tested and found suitable for a specified purpose.

**LIGHT-DUTY COOKING APPLIANCE.** Light-duty cooking *appliances* include gas and electric ovens of a maximum 6 kW or 20,000 Btu/h capacity (including standard, bake, roasting, revolving, retherm, convection, combination convection/steamer, countertop conveyORIZED baking/finishing, deck and pastry), electric and gas steam-jacketed kettles, electric and gas pasta cookers, electric and gas compartment steamers (both pressure and atmospheric) and electric and gas cheesemelters.

**LIMIT CONTROL.** A device responsive to changes in pressure, temperature or level for turning on, shutting off or throttling the gas supply to an *appliance*.

**LIMITED CHARGE SYSTEM.** A system in which, with the compressor idle, the design pressure will not be exceeded when the refrigerant charge has completely evaporated.

**LISTED.** *Equipment, materials, products or services* included in a list published by an organization acceptable to the code official and concerned with evaluation of products or services that maintains periodic inspection of production of *listed equipment* or materials or periodic evaluation of services and whose listing states either that the *equipment, material, product or service* meets identified standards or has been tested and found suitable for a specified purpose.

**LIVING SPACE.** Space within a *dwelling unit* utilized for living, sleeping, eating, cooking, bathing, washing and sanitation purposes.

**LOWER EXPLOSIVE LIMIT (LEL).** See "LFL."

**LOWER FLAMMABLE LIMIT (LFL).** The minimum concentration of refrigerant that is capable of propagating a flame through a homogeneous mixture of refrigerant and air.

**LOW-PRESSURE HOT-WATER-HEATING BOILER.** A boiler furnishing hot water at pressures not exceeding 160 psi (1103 kPa) and at temperatures not exceeding 250°F (121°C).

**LOW-PRESSURE STEAM-HEATING BOILER.** A boiler furnishing steam at pressures not exceeding 15 psi (103 kPa).

**LOW-PROBABILITY SYSTEMS.** A refrigeration system in which the basic design or the location of components is such that a leakage of refrigerant from a failed connection, seal or

## DEFINITIONS

component will not enter an occupancy-classified area, other than the *machinery room*.

**LOW-SIDE PRESSURE.** The parts of a refrigerating system subject to evaporator pressure.

**MACHINERY ROOM.** A room meeting prescribed safety requirements and in which refrigeration systems or components thereof are located (see Sections 1105 and 1106).

**MECHANICAL DRAFT SYSTEM.** A venting system designed to remove flue or vent gases by mechanical means, that consists of an induced-draft portion under nonpositive static pressure or a forced-draft portion under positive static pressure.

**Forced-draft venting system.** A portion of a venting system using a fan or other mechanical means to cause the removal of flue or vent gases under positive static pressure.

**Induced-draft venting system.** A portion of a venting system using a fan or other mechanical means to cause the removal of flue or vent gases under nonpositive static vent pressure.

**Power venting system.** A portion of a venting system using a fan or other mechanical means to cause the removal of flue or vent gases under positive static vent pressure.

**MECHANICAL EQUIPMENT/APPLIANCE ROOM.** A room or space in which nonfuel-fired mechanical *equipment* and *appliances* are located.

**MECHANICAL EXHAUST SYSTEM.** A system for removing air from a room or space by mechanical means.

**MECHANICAL JOINT.** A connection between pipes, fittings, or pipes and fittings, which is neither screwed, caulked, threaded, soldered, solvent cemented, brazed nor welded. Also, a joint in which compression is applied along the centerline of the pieces being joined. Some joints are part of a coupling, fitting or adapter. These joints include both the press-type and push-fit joining systems.

**MECHANICAL SYSTEM.** A system specifically addressed and regulated in this code and composed of components, devices, *appliances* and *equipment*.

**MEDIUM-DUTY COOKING APPLIANCE.** Medium-duty cooking *appliances* include electric discrete element ranges (with or without oven), electric and gas hot-top ranges, electric and gas griddles, electric and gas double-sided griddles, electric and gas fryers (including open deep fat fryers, donut fryers, kettle fryers and pressure fryers), (~~electric and gas conveyor pizza ovens,~~) electric and gas tilting skillets (braising pans) and electric and gas rotisseries.

**MODULAR BOILER.** A steam or hot-water-heating assembly consisting of a group of individual boilers called modules intended to be installed as a unit with no intervening stop valves. Modules are under one jacket or are individually jacketed. The individual modules shall be limited to a maximum input rating of 400,000 Btu/h (117 228 W) gas, 3 gallons per hour (gph) (11.4 L/h) oil, or 115 kW (electric).

**NATURAL DRAFT SYSTEM.** A venting system designed to remove flue or vent gases under nonpositive static vent pressure entirely by natural draft.

**NATURAL VENTILATION.** The movement of air into and out of a space through intentionally provided openings, such as windows and doors, or through nonpowered ventilators.

**NET OCCUPIABLE FLOOR AREA.** The floor area of an *occupiable space* defined by the inside surfaces of its walls but excluding shafts, column enclosures and other permanently enclosed, inaccessible and unoccupiable areas. Obstructions in the space such as furnishings, display or storage racks and other obstructions, whether temporary or permanent, shall not be deducted from the space area.

**NONABRASIVE/ABRASIVE MATERIALS.** Nonabrasive particulate in high concentrations, moderately abrasive particulate in low and moderate concentrations, and highly abrasive particulate in low concentrations, such as alfalfa, asphalt, plaster, gypsum and salt.

**NONCOMBUSTIBLE MATERIALS.** Materials that, when tested in accordance with ASTM E 136, have at least three of four specimens tested meeting all of the following criteria:

1. The recorded temperature of the surface and interior thermocouples shall not at any time during the test rise more than 54°F (30°C) above the furnace temperature at the beginning of the test.
2. There shall not be flaming from the specimen after the first 30 seconds.
3. If the weight loss of the specimen during testing exceeds 50 percent, the recorded temperature of the surface and interior thermocouples shall not at any time during the test rise above the furnace air temperature at the beginning of the test, and there shall not be flaming of the specimen.

**OCCUPANCY.** The purpose for which a building, or portion thereof, is utilized or occupied.

**OCCUPIABLE SPACE.** An enclosed space intended for human activities, excluding those spaces intended primarily for other purposes, such as storage rooms and *equipment* rooms, that are only intended to be occupied occasionally and for short periods of time.

**OFFSET (VENT).** A combination of *approved* bends that make two changes in direction bringing one section of the vent out of line but into a line parallel with the other section.

**OUTDOOR AIR.** Air taken from the outdoors, and therefore not previously circulated through the system.

**OUTDOOR OPENING.** A door, window, louver or skylight openable to the outdoor atmosphere.

**OUTLET.** A threaded connection or bolted flange in a piping system to which a gas-burning *appliance* is attached.

**PANEL HEATING.** A method of radiant space heating in which heat is supplied by large heated areas of room surfaces. The heating element usually consists of warm water piping, warm air ducts, or electrical resistance elements embedded in or located behind ceiling, wall or floor surfaces.

**PELLET FUEL-BURNING APPLIANCE.** A closed-combustion, vented *appliance* equipped with a fuel-feed mechanism for burning processed pellets of solid fuel of a specified size and composition.



**PERSON.** Any individual, receiver, administrator, executor, assignee, trustee in bankruptcy, trust, estate, firm, partnership, joint venture, club, company, joint stock company, business trust, municipal corporation, political subdivision of the State of Washington, corporation, limited liability company, association, society or any group of individuals acting as a unit, whether mutual, cooperative, fraternal, nonprofit or otherwise, and the United States or any instrumentality thereof.

**PIPING.** Where used in this code, “piping” refers to either pipe or tubing, or both.

**Pipe.** A rigid conduit of iron, steel, copper, brass or plastic.

**Tubing.** Semirigid conduit of copper, aluminum, plastic or steel.

**PLASTIC, THERMOPLASTIC.** A plastic that is capable of being repeatedly softened by increase of temperature and hardened by decrease of temperature.

**PLASTIC, THERMOSETTING.** A plastic that is capable of being changed into a substantially infusible or insoluble product when cured under application of heat or chemical means.

**PLENUM.** An enclosed portion of the building structure, other than an *occupiable space* being conditioned, that is designed to allow air movement, and thereby serve as part of an air distribution system.

**PORTABLE FUEL CELL APPLIANCE.** A fuel cell generator of electricity, which is not fixed in place. A portable fuel cell *appliance* utilizes a cord and plug connection to a grid-isolated load and has an integral fuel supply.

((**POWER BOILER.** See “Boiler.”))

**PREMISES.** A lot, plot or parcel of land, including any structure thereon.

**PRESSURE, FIELD TEST.** A test performed in the field to prove system tightness.

**PRESSURE-LIMITING DEVICE.** A pressure-responsive mechanism designed to stop automatically the operation of the pressure-imposing element at a predetermined pressure.

**PRESSURE RELIEF DEVICE.** A pressure-actuated valve or rupture member designed to relieve excessive pressure automatically.

**PRESSURE RELIEF VALVE.** A pressure-actuated valve held closed by a spring or other means and designed to relieve pressure automatically in excess of the device’s setting.

((**PRESSURE VESSELS.** Closed containers, tanks or vessels that are designed to contain liquids or gases, or both, under pressure.))

**PRESSURE VESSELS—REFRIGERANT.** Any refrigerant-containing receptacle in a refrigerating system. This does not include evaporators where each separate section does not exceed 0.5 cubic foot (0.014 m<sup>3</sup>) of refrigerant-containing volume, regardless of the maximum inside dimensions, evaporator coils, controls, headers, pumps and piping.

**PRODUCT-CONVEYING AIR.** Air used for conveying solid particulates, such as refuse, dust, fumes and smoke; liquid particulate matter, such as spray residue, mists and fogs; vapors, such as vapors from flammable or corrosive liquids;

noxious and toxic gases; and air at temperatures exceeding 250°F (121°C). Examples of product-conveying air include, but are not limited to, those that serve a combustion engine, industrial vacuum system, chemical booth, paint booth, paint enclosure and photo lab exhaust.

**PROTECTIVE ASSEMBLY (REDUCED CLEARANCE).** Any noncombustible assembly that is *labeled* or constructed in accordance with Table 308.6 and is placed between combustible materials or assemblies and mechanical appliances, devices or *equipment*, for the purpose of reducing required airspace clearances. Protective assemblies attached directly to a combustible assembly shall not be considered as part of that combustible assembly.

**PURGE.** To clear of air, water or other foreign substances.

**PUSH-FIT JOINTS.** A type of mechanical joint consisting of elastomeric seals and corrosion-resistant tube grippers. Such joints are permanent or removable depending on the design.

**QUICK-OPENING VALVE.** A valve that opens completely by fast action, either manually or automatically controlled. A valve requiring one-quarter round turn or less is considered to be quick opening.

**RADIANT HEATER.** A heater designed to transfer heat primarily by direct radiation.

**READY ACCESS (TO).** That which enables a device, *appliance* or *equipment* to be directly reached, without requiring the removal or movement of any panel, door or similar obstruction [see “Access (to)”].

**RECEIVER, LIQUID.** A vessel permanently connected to a refrigeration system by inlet and outlet pipes for storage of liquid refrigerant.

**RECIRCULATED AIR.** Air removed from a conditioned space and intended for reuse as supply air.

**RECLAIMED REFRIGERANTS.** Refrigerants reprocessed to the same specifications as for new refrigerants by means including distillation. Such refrigerants have been chemically analyzed to verify that the specifications have been met. Reclaiming usually implies the use of processes or procedures that are available only at a reprocessing or manufacturing facility.

**RECOVERED REFRIGERANTS.** Refrigerants removed from a system in any condition without necessarily testing or processing them.

**RECYCLED REFRIGERANTS.** Refrigerants from which contaminants have been reduced by oil separation, removal of noncondensable gases, and single or multiple passes through devices that reduce moisture, acidity and particulate matter, such as replaceable core filter driers. These procedures usually are performed at the field job site or in a local service shop.

**REFRIGERANT.** A substance utilized to produce refrigeration by its expansion or vaporization.

**REFRIGERANT SAFETY CLASSIFICATIONS.** Groupings that indicate the toxicity and flammability classes in accordance with Section 1103.1. The classification group is made up of a letter (A or B) that indicates the toxicity class, followed by a number (1, 2 or 3) that indicates the



## DEFINITIONS

flammability class. Refrigerant blends are similarly classified, based on the compositions at their worst cases of fractionation, as separately determined for toxicity and flammability. In some cases, the worst case of fractionation is the original formulation.

**Flammability.** Class 1 indicates refrigerants that do not show flame propagation in air when tested by prescribed methods at specified conditions. Classes 2 and 3 signify refrigerants with “lower flammability” and “higher flammability,” respectively; the distinction depends on both the LFL and heat of *combustion*.

**Toxicity.** Classes A and B signify refrigerants with “lower toxicity” and “higher toxicity,” respectively, based on prescribed measures of chronic (long-term, repeated exposures) toxicity.

**REFRIGERATED ROOM OR SPACE.** A room or space in which an evaporator or brine coil is located for the purpose of reducing or controlling the temperature within the room or space to below 68°F (20°C).

**REFRIGERATING SYSTEM.** A combination of interconnected refrigerant-containing parts constituting one closed refrigerant circuit in which a refrigerant is circulated for the purpose of extracting heat.

**REFRIGERATION CAPACITY RATING.** Expressed as 1 horsepower (0.75 kW), 1 ton or 12,000 Btu/h (3.5 kW), shall all mean the same quantity.

**REFRIGERATION MACHINERY ROOM.** See “*Machinery room.*”

**REFRIGERATION SYSTEM, ABSORPTION.** A heat-operated, closed-refrigeration cycle in which a secondary fluid (the absorbent) absorbs a primary fluid (the refrigerant) that has been vaporized in the evaporator.

**Direct system.** A system in which the evaporator is in direct contact with the material or space refrigerated, or is located in air-circulating passages communicating with such spaces.

**Indirect system.** A system in which a brine coil cooled by the refrigerant is circulated to the material or space refrigerated, or is utilized to cool the air so circulated. Indirect systems are distinguished by the type or method of application.

**REFRIGERATION SYSTEM CLASSIFICATION.** Refrigeration systems are classified according to the degree of probability that leaked refrigerant from a failed connection, seal or component will enter an occupied area. The distinction is based on the basic design or location of the components.

**REFRIGERATION SYSTEM, MECHANICAL.** A combination of interconnected refrigeration-containing parts constituting one closed refrigerant circuit in which a refrigerant is circulated for the purpose of extracting heat and in which a compressor is used for compressing the refrigerant vapor.

**REFRIGERATION SYSTEM, SELF-CONTAINED.** A complete factory-assembled and tested system that is shipped in one or more sections and has no refrigerant-containing parts

that are joined in the field by other than companion or block valves.

**REGISTERED DESIGN PROFESSIONAL.** An individual who is registered or licensed to practice their respective design profession as defined by the statutory requirements of the professional registration laws of the state or jurisdiction in which the project is to be constructed.

**RELIEF AIR.** Exhausted return air from a system that provides ventilation for human usage.

**RETURN AIR.** Air removed from an *approved* conditioned space or location and recirculated or exhausted.

**RETURN AIR SYSTEM.** An assembly of connected ducts, plenums, fittings, registers and grilles through which air from the space or spaces to be heated or cooled is conducted back to the supply unit (see also “Supply air system”).

**ROOM HEATER VENTED.** A free-standing heating unit burning solid or liquid fuel for direct heating of the space in and adjacent to that in which the unit is located.

**SAFETY VALVE.** A valve that relieves pressure in a steam boiler by opening fully at the rated discharge pressure. The valve is of the spring-pop type.

**SATURATION PRESSURE.** The pressure at which there is a stable coexistence of the vapor and liquid or the vapor and solid phases of a refrigerant.

**SELF-CONTAINED EQUIPMENT.** Complete, factory-assembled and tested, heating, air-conditioning or refrigeration *equipment* installed as a single unit, and having all working parts, complete with motive power, in an enclosed unit of said machinery.

**SHAFT.** An enclosed space extending through one or more stories of a building, connecting vertical openings in successive floors, or floors and the roof.

**SHAFT ENCLOSURE.** The walls or construction forming the boundaries of a shaft.

**SLEEPING UNIT.** A room or space in which people sleep, which can also include permanent provisions for living, eating, and either sanitation or kitchen facilities but not both. Such rooms and spaces that are also part of a *dwelling unit* are not sleeping units.

**SLEEVE.** A factory-built chimney fitting designed to protect combustible materials when it is necessary to penetrate a combustible wall to connect a chimney.

**SMOKE DAMPER.** A *listed* device installed in ducts and air transfer openings designed to resist the passage of smoke. The device is installed to operate automatically, controlled by a smoke detection system, and where required, is capable of being positioned from a fire command center.

**SMOKE-DEVELOPED INDEX.** A numerical value assigned to a material tested in accordance with ASTM E 84.

**SOLID FUEL (COOKING APPLICATIONS).** Applicable to commercial food service operations only, solid fuel is any bulk material such as hardwood, mesquite, charcoal or briquettes that is combusted to produce heat for cooking operations.

**SOURCE CAPTURE SYSTEM.** A mechanical exhaust system designed and constructed to capture air contaminants at their source and to exhaust such contaminants to the outdoor atmosphere.

**[W] SOURCE SPECIFIC VENTILATION.** A mechanical ventilation system including all fans, controls, and ducting, which is dedicated to exhausting contaminant-laden air to the exterior of the building from the room or space in which the contaminant is generated.

**STATIONARY FUEL CELL POWER PLANT.** A self-contained package or factory-matched packages which constitute an automatically operated assembly of integrated systems for generating useful electrical energy and recoverable thermal energy that is permanently connected and fixed in place.

~~**(STEAM-HEATING BOILER.** A boiler operated at pressures not exceeding 15 psi (103 kPa) for steam.)~~

**STOP VALVE.** A shutoff valve for controlling the flow of liquid or gases.

**STORY.** That portion of a building included between the upper surface of a floor and the upper surface of the floor next above, except that the topmost story shall be that portion of a building included between the upper surface of the topmost floor and the ceiling or roof above.

**STRENGTH, ULTIMATE.** The highest stress level that the component will tolerate without rupture.

**SUPPLY AIR.** That air delivered to each or any space supplied by the air distribution system or the total air delivered to all spaces supplied by the air distribution system, which is provided for ventilating, heating, cooling, humidification, dehumidification and other similar purposes.

**SUPPLY AIR SYSTEM.** An assembly of connected ducts, plenums, fittings, registers and grilles through which air, heated or cooled, is conducted from the supply unit to the space or spaces to be heated or cooled (see also "Return air system").

**THEORETICAL AIR.** The exact amount of air required to supply oxygen for complete *combustion* of a given quantity of a specific fuel.

**THERMAL RESISTANCE (R).** A measure of the ability to retard the flow of heat. The *R*-value is the reciprocal of thermal conductance.

**THIMBLE.** A listed fitting designed to be installed in the opening in a masonry chimney through which the chimney connector passes.

**TLV-TWA (THRESHOLD LIMIT VALUE-TIME-WEIGHTED AVERAGE).** The time-weighted average concentration of a refrigerant or other chemical in air for a normal 8-hour workday and a 40-hour workweek, to which nearly all workers are repeatedly exposed, day after day, without adverse effects, as adopted by the American Conference of Government Industrial Hygienists (ACGIH).

**TOILET ROOM.** A room containing a water closet and, frequently, a lavatory, but not a bathtub, shower, spa or similar bathing fixture.

**TOXICITY CLASSIFICATION.** Refrigerants shall be classified for toxicity to one of two classes in accordance with ASHRAE 34:

**Class A.** Refrigerants for which toxicity has not been identified at concentrations less than or equal to 400 parts per million (ppm), based on data used to determine Threshold Limit Value-Time-Weighted Average (TLV-TWA) or consistent indices.

**Class B.** Refrigerants for which there is evidence of toxicity at concentrations below 400 ppm, based on data used to determine TLV-TWA or consistent indices.

**TRANSITION FITTINGS, PLASTIC TO STEEL.** An adapter for joining plastic pipe to steel pipe. The purpose of this fitting is to provide a permanent, pressure-tight connection between two materials which cannot be joined directly one to another.

**UNCONFINED SPACE.** A space having a volume not less than 50 cubic feet per 1,000 Btu/h (4.8m<sup>3</sup>/kW) of the aggregate input rating of all fuel-burning appliances installed in that space. Rooms communicating directly with the space in which the appliances are installed, through openings not furnished with doors, are considered a part of the unconfined space.

**UNIT HEATER.** A self-contained *appliance* of the fan type, designed for the delivery of warm air directly into the space in which the *appliance* is located.

**UNSAFE.** Constituting a fire or health hazard or otherwise dangerous to human life, constituting a hazard to safety, health or public welfare by reason of inadequate maintenance, dilapidation, obsolescence, fire hazard, disaster, damage or abandonment.

**[W] UNUSUALLY TIGHT CONSTRUCTION.** Construction meeting the following requirements:

1. Walls exposed to the outdoor atmosphere having a continuous water vapor retarder with a rating of 1 perm [57 ng/(s · m<sup>2</sup> · Pa)] or less with openings gasketed or sealed; and
2. Operable windows and doors meeting the air leakage requirements of the *Washington State Energy Code with Seattle Amendments*, Section 502.1.4; and
3. Caulking or sealants are applied to areas such as joints around window and door frames, between sole plates and floors, between wall-ceiling joints, between wall panels, at penetrations for plumbing, electrical and gas lines, and at other openings: ((:)) or
4. Buildings built in compliance with the 1986 or later editions of the *Washington State Energy Code*, WAC 51-11; *Northwest Energy Code*; or Super Good Cents weatherization standards or equivalent.

**Interpretation:** 1986 and later editions of the *Washington State Energy Code with Seattle Amendments*, and Seattle City Light's Built Smart program are considered equivalent standards for unusually tight construction.

## DEFINITIONS

➔ **VENT.** A pipe or other conduit composed of factory-made components, containing a passageway for conveying *combustion* products and air to the atmosphere, *listed* and *labeled* for use with a specific type or class of *appliance*.

**Pellet vent.** A vent *listed* and *labeled* for use with *listed* pellet-fuel-burning appliances.

**Type L vent.** A vent *listed* and *labeled* for use with the following:

1. Oil-burning appliances that are *listed* for use with Type L vents.
2. Gas-fired appliances that are *listed* for use with Type B vents.

**VENT CONNECTOR.** The pipe that connects an *approved* fuel-fired *appliance* to a vent.

**VENT DAMPER DEVICE, AUTOMATIC.** A device intended for installation in the venting system, in the outlet of an individual automatically operated fuel-burning *appliance* that is designed to open the venting system automatically when the *appliance* is in operation and to close off the venting system automatically when the *appliance* is in a standby or shutdown condition.

**VENTILATION.** The natural or mechanical process of supplying conditioned or unconditioned air to, or removing such air from, any space.

**VENTILATION AIR.** That portion of supply air that comes from the outside (outdoors), plus any recirculated air that has been treated to maintain the desired quality of air within a designated space.

**VENTING SYSTEM.** A continuous open passageway from the flue collar of an *appliance* to the outside atmosphere for the purpose of removing flue or vent gases. A venting system is usually composed of a vent or a *chimney* and vent connector, if used, assembled to form the open passageway.

**WATER HEATER.** Any heating *appliance* or *equipment*, not exceeding a pressure of 160 psi (1103 kPa), a volume of 120 gallons and a heat input of 200,000 Btu/hr, that heats potable water and supplies such water to the potable hot water distribution system.

**[W] WHOLE HOUSE VENTILATION SYSTEM.** A mechanical ventilation system, including fans, controls, and ducts, which replaces, by direct or indirect means, air from the habitable rooms with outdoor air.

**ZONE.** One *occupiable space* or several occupiable spaces with similar *occupancy* classification (see Table 403.3), occupant density, zone air distribution effectiveness and zone primary airflow rate per unit area.

## CHAPTER 3

# GENERAL REGULATIONS

### SECTION 301 GENERAL

**301.1 Scope.** This chapter shall govern the approval and installation of all *equipment* and appliances that comprise parts of the building mechanical systems regulated by this code in accordance with Section 103.1 ~~((404.2))~~.

**301.2 Energy utilization.** Heating, ventilating and air-conditioning systems of all structures shall be designed and installed for efficient utilization of energy in accordance with the ~~((International Energy Conservation Code))~~ *Washington State Energy Code with Seattle Amendments*.

**301.3 Fuel gas appliances and equipment.** The approval and installation of fuel gas distribution piping and *equipment*, fuel gas-fired appliances and fuel gas-fired *appliance* venting systems shall be in accordance with the *International Fuel Gas Code*.

**301.4 Listed and labeled.** Appliances regulated by this code shall be *listed* and *labeled* for the application in which they are installed and used, unless otherwise *approved* in accordance with Sections 105, 106 or 107.

**Exception:** Listing and labeling of *equipment* and appliances used for refrigeration shall be in accordance with Section 1101.2.

**301.5 Labeling.** Labeling shall be in accordance with the procedures set forth in Sections 301.5.1 through 301.5.2.3.

**301.5.1 Testing.** An *approved* agency shall test a representative sample of the mechanical *equipment* and appliances being *labeled* to the relevant standard or standards. The *approved* agency shall maintain a record of all of the tests performed. The record shall provide sufficient detail to verify compliance with the test standard.

**301.5.2 Inspection and identification.** The *approved* agency shall periodically perform an inspection, which shall be in-plant if necessary, of the mechanical *equipment* and appliances to be *labeled*. The inspection shall verify that the *labeled* mechanical *equipment* and appliances are representative of the mechanical *equipment* and appliances tested.

**301.5.2.1 Independent.** The agency to be *approved* shall be objective and competent. To confirm its objectivity, the agency shall disclose all possible conflicts of interest.

**301.5.2.2 Equipment.** An *approved* agency shall have adequate *equipment* to perform all required tests. The *equipment* shall be periodically calibrated.

**301.5.2.3 Personnel.** An *approved* agency shall employ experienced personnel educated in conducting, supervising and evaluating tests.

**301.6 Label information.** A permanent factory-applied nameplate(s) shall be affixed to appliances on which shall appear in legible lettering, the manufacturer's name or trade-

mark, the model number, serial number and the seal or mark of the *approved* agency. A label shall also include the following:

1. Electrical *equipment* and appliances: Electrical rating in volts, amperes and motor phase; identification of individual electrical components in volts, amperes or watts, motor phase; Btu/h (W) output; and required clearances.
2. Absorption units: Hourly rating in Btu/h (W); minimum hourly rating for units having step or automatic modulating controls; type of fuel; type of refrigerant; cooling capacity in Btu/h (W); and required clearances.
3. Fuel-burning units: Hourly rating in Btu/h (W); type of fuel *approved* for use with the *appliance*; and required clearances.
4. Electric comfort heating appliances: Name and trademark of the manufacturer; the model number or equivalent; the electric rating in volts, ampacity and phase; Btu/h (W) output rating; individual marking for each electrical component in amperes or watts, volts and phase; required clearances from combustibles; and a seal indicating approval of the *appliance* by an *approved* agency.

**301.7 Electrical.** Electrical wiring, controls and connections to *equipment* and appliances regulated by this code shall be in accordance with ~~((NFPA 70))~~ *the Seattle Electrical Code*.

**301.8 Plumbing connections.** Potable water supply and building drainage system connections to *equipment* and appliances regulated by this code shall be in accordance with the ~~((International))~~ *Uniform Plumbing Code*.

**301.9 Fuel types.** Fuel-fired appliances shall be designed for use with the type of fuel to which they will be connected and the altitude at which they are installed. Appliances that comprise parts of the building mechanical system shall not be converted for the usage of a different fuel, except where *approved* and converted in accordance with the manufacturer's instructions. The fuel input rate shall not be increased or decreased beyond the limit rating for the altitude at which the *appliance* is installed.

**301.10 Vibration isolation.** Where vibration isolation of *equipment* and appliances is employed, an *approved* means of supplemental restraint shall be used to accomplish the support and restraint.

**301.11 Repair.** Defective material or parts shall be replaced or repaired in such a manner so as to preserve the original approval or listing.

**301.12 Wind resistance.** Mechanical *equipment*, appliances and supports that are exposed to wind shall be designed and installed to resist the wind pressures determined in accordance with the *International Building Code*.



**[B] 301.13 Flood hazard.** For structures located in flood hazard areas, mechanical systems, *equipment* and appliances shall be located at or above the *design flood elevation*.

**Exception:** Mechanical systems, *equipment* and appliances are permitted to be located below the *design flood elevation* provided that they are designed and installed to prevent water from entering or accumulating within the components and to resist hydrostatic and hydrodynamic loads and stresses, including the effects of buoyancy, during the occurrence of flooding to the *design flood elevation* in compliance with the flood-resistant construction requirements of the *International Building Code*.

**[B] 301.13.1 High-velocity wave action.** In flood hazard areas subject to high-velocity wave action, mechanical systems and *equipment* shall not be mounted on or penetrate walls intended to break away under flood loads.

**301.14 Rodentproofing.** Buildings or structures and the walls enclosing habitable or occupiable rooms and spaces in which persons live, sleep or work, or in which feed, food or foodstuffs are stored, prepared, processed, served or sold, shall be constructed to protect against the entrance of rodents in accordance with the *International Building Code*.

**301.15 Seismic resistance.** When earthquake loads are applicable in accordance with the *International Building Code*, mechanical system supports shall be designed and installed for the seismic forces in accordance with the *International Building Code*.

## SECTION 302 PROTECTION OF STRUCTURE

**302.1 Structural safety.** The building or structure shall not be weakened by the installation of mechanical systems. Where floors, walls, ceilings or any other portion of the building or structure are required to be altered or replaced in the process of installing or repairing any system, the building or structure shall be left in a safe structural condition in accordance with the *International Building Code*.

**302.2 Penetrations of floor/ceiling assemblies and fire-resistance-rated assemblies.** Penetrations of floor/ceiling assemblies and assemblies required to have a fire-resistance rating shall be protected in accordance with the *International Building Code*.

**[B] 302.3 Cutting, notching and boring in wood framing.** The cutting, notching and boring of wood framing members shall comply with Sections 302.3.1 through 302.3.4.

**[B] 302.3.1 Joist notching.** Notches on the ends of joists shall not exceed one-fourth the joist depth. Holes bored in joists shall not be within 2 inches (51 mm) of the top or bottom of the joist, and the diameter of any such hole shall not exceed one-third the depth of the joist. Notches in the top or bottom of joists shall not exceed one-sixth the depth and shall not be located in the middle third of the span.

**[B] 302.3.2 Stud cutting and notching.** In exterior walls and bearing partitions, any wood stud is permitted to be cut

or notched not to exceed 25 percent of its depth. Cutting or notching of studs not greater than 40 percent of their depth is permitted in nonbearing partitions supporting no loads other than the weight of the partition.

**[B] 302.3.3 Bored holes.** A hole not greater in diameter than 40 percent of the stud depth is permitted to be bored in any wood stud. Bored holes not greater than 60 percent of the depth of the stud are permitted in nonbearing partitions or in any wall where each bored stud is doubled, provided not more than two such successive doubled studs are so bored. In no case shall the edge of the bored hole be nearer than 0.625 inch (15.9 mm) to the edge of the stud. Bored holes shall not be located at the same section of stud as a cut or notch.

**[B] 302.3.4 Engineered wood products.** Cuts, notches and holes bored in trusses, structural composite veneer lumber, structural glue-laminated members and I-joists are prohibited except where permitted by the manufacturer's recommendations or where the effects of such alterations are specifically considered in the design of the member.

**[B] 302.4 Alterations to trusses.** Truss members and components shall not be cut, drilled, notched, spliced or otherwise altered in any way without written concurrence and approval of a *registered design professional*. Alterations resulting in the addition of loads to any member (e.g., HVAC *equipment*, water heaters) shall not be permitted without verification that the truss is capable of supporting such additional loading.

**[B] 302.5 Cutting, notching and boring in steel framing.** The cutting, notching and boring of steel framing members shall comply with Sections 302.5.1 through 302.5.3.

**[B] 302.5.1 Cutting, notching and boring holes in structural steel framing.** The cutting, notching and boring of holes in structural steel framing members shall be as prescribed by the *registered design professional*.

**[B] 302.5.2 Cutting, notching and boring holes in cold-formed steel framing.** Flanges and lips of load-bearing cold-formed steel framing members shall not be cut or notched. Holes in webs of load-bearing cold-formed steel framing members shall be permitted along the centerline of the web of the framing member and shall not exceed the dimensional limitations, penetration spacing or minimum hole edge distance as prescribed by the *registered design professional*. Cutting, notching and boring holes of steel floor/roof decking shall be as prescribed by the *registered design professional*.

**[B] 302.5.3 Cutting, notching and boring holes in nonstructural cold-formed steel wall framing.** Flanges and lips of nonstructural cold-formed steel wall studs shall not be cut or notched. Holes in webs of nonstructural cold-formed steel wall studs shall be permitted along the centerline of the web of the framing member, shall not exceed 1½ inches (38 mm) in width or 4 inches (102 mm) in length, and shall not be spaced less than 24 inches (610 mm) center to center from another hole or less than 10 inches (254 mm) from the bearing end.

## SECTION 303 EQUIPMENT AND APPLIANCE LOCATION

**303.1 General.** *Equipment* and appliances shall be located as required by this section, specific requirements elsewhere in this code and the conditions of the *equipment* and *appliance* listing.

**303.2 Hazardous locations.** Appliances shall not be located in a *hazardous location* unless *listed* and *approved* for the specific installation.

**303.3 Prohibited locations.** Fuel-fired appliances shall not be located in, or obtain *combustion air* from, any of the following rooms or spaces:

1. Sleeping rooms.
2. Bathrooms.
3. Toilet rooms.
4. Storage closets.
5. Surgical rooms.

**Exception:** This section shall not apply to the following appliances:

1. *Direct-vent appliances* that obtain all *combustion air* directly from the outdoors.
2. Solid fuel-fired appliances, provided that the room is not a confined space and the building is not of *unusually tight construction*.
3. Appliances installed in a dedicated enclosure in which all *combustion air* is taken directly from the outdoors, in accordance with Chapter 7. *Access* to such enclosure shall be through a solid door, weather-stripped in accordance with the exterior door air leakage requirements of the (~~*International Energy Conservation Code*~~) *Washington State Energy Code with Seattle Amendments* and equipped with an *approved* self-closing device.

**303.4 Protection from damage.** Appliances shall not be installed in a location where subject to mechanical damage unless protected by *approved* barriers.

**303.5 Indoor locations.** Fuel-fired furnaces, water heaters and boilers installed in closets and alcoves shall be *listed* for such installation. For purposes of this section, a closet or alcove shall be defined as a room or space having a volume less than 12 times the total volume of fuel-fired appliances other than boilers and less than 16 times the total volume of boilers. Room volume shall be computed using the gross floor area and the actual ceiling height up to a maximum computation height of 8 feet (2438 mm).

**303.6 Outdoor locations.** Appliances installed in other than indoor locations shall be *listed* and *labeled* for outdoor installation.

**303.7 Pit locations.** Appliances installed in pits or excavations shall not come in direct contact with the surrounding soil. The sides of the pit or excavation shall be held back a minimum of 12 inches (305 mm) from the *appliance*, and a minimum of 30 inches (762 mm) on the control side. Where the depth exceeds 12 inches (305 mm) below adjoining grade, the walls of the pit or excavation shall be lined with concrete or masonry. Such

concrete or masonry shall extend a minimum of 4 inches (102 mm) above adjoining grade and shall have sufficient lateral load-bearing capacity to resist collapse. The *appliance* shall be protected from flooding in an *approved* manner.

**[B] 303.8** (~~(Elevator shafts. Mechanical systems shall not be located in an elevator shaft.)~~) **Installation of pipes or ducts conveying gases, vapors or liquids in hoistways, machine rooms, or machinery spaces.** Pipes and ducts conveying gases, vapors or liquids shall not be installed in hoistways, machine rooms and machinery spaces.

### Exceptions:

1. Only ducts for heating, cooling, ventilating and venting these spaces are permitted to be installed in the hoistway, machine room and machinery space.
2. Ducts and electrical conduit may pass through an elevator machine room or machinery space if they are separated from the room or space by construction equal to the rated construction of the room or space and located so that all required clearances are maintained.

If a vented machine room is not vented directly to the outside of the building, the vent shall be enclosed within a fire barrier with at least a 1-hour fire-resistance rating, or as required for a shaft where it passes through occupied floors.

3. Standard sprinkler protection conforming to the requirements of NFPA 13 shall be permitted to be installed in these spaces, subject to rules promulgated by the code official.
4. Subject to the approval of the code official, pipes protected with double containment and pipes with threaded or welded joints are permitted. Pipes shall not be located less than 7 feet above the floor in machine rooms.

**[B] 303.9 Exit enclosures.** Mechanical systems shall not be located in exit enclosures. Penetrations passing entirely through both protective membranes are prohibited.

### Exceptions:

1. Equipment allowed or required by the *International Building Code* to serve the exit enclosure such as:
  - 1.1 Ductwork and equipment necessary for independent stairway pressurization.
  - 1.2 Sprinkler piping.
  - 1.3 Standpipes.
  - 1.4 Electrical conduit terminating in a *listed* box not exceeding 16 square inches (10 323 mm<sup>2</sup>) in area, and
  - 1.5 Piping used exclusively for the drainage of rainfall runoff from roof areas provided the roof is not used for a helistop or heliport.
2. Unfired heaters allowed by the *International Building Code* for freeze protection of fire-protection equipment may penetrate one protective membrane. The

conduit serving the heater may penetrate both protective membranes.

Penetrations shall be protected as required by the *International Building Code*. Penetrations and openings communicating between exit enclosures in the same building are not permitted regardless of their protection.

## SECTION 304 INSTALLATION

**304.1 General.** *Equipment* and appliances shall be installed as required by the terms of their approval, in accordance with the conditions of the listing, the manufacturer's installation instructions and this code. Manufacturer's installation instructions shall be available on the job site at the time of inspection.

**304.2 Conflicts.** Where conflicts between this code and the conditions of listing or the manufacturer's installation instructions occur, the provisions of this code shall apply.

**Exception:** Where a code provision is less restrictive than the conditions of the listing of the *equipment* or *appliance* or the manufacturer's installation instructions, the conditions of the listing and the manufacturer's installation instructions shall apply.

**304.3 Elevation of ignition source.** Equipment and appliances having an *ignition source* and located in hazardous locations and public garages, private garages, repair garages, automotive motor fuel-dispensing facilities and parking garages shall be elevated such that the source of ignition is not less than 18 inches (457 mm) above the floor surface on which the *equipment* or *appliance* rests. For the purpose of this section, rooms or spaces that are not part of the living space of a *dwelling unit* and that communicate directly with a private garage through openings shall be considered to be part of the private garage.

**304.3.1 Parking garages.** Connection of a parking garage with any room in which there is a fuel-fired *appliance* shall be by means of a vestibule providing a two-doorway separation, except that a single door is permitted where the sources of ignition in the *appliance* are elevated in accordance with Section 304.3.

**Exception:** This section shall not apply to *appliance* installations complying with Section 304.6 or to equipment having an internal combustion engine.

**304.4 Prohibited equipment and appliance location.** Equipment and appliances having an *ignition source* shall not be installed in Group H occupancies or control areas where open use, handling or dispensing of combustibles, flammable or explosive materials occurs.

**[FG] 304.5 Hydrogen-generating and refueling operations.** Ventilation shall be required in accordance with Section 304.5.1, 304.5.2 or 304.5.3 in public garages, private garages, repair garages, automotive service stations and parking garages that contain hydrogen-generating appliances or refueling systems. For the purpose of this section, rooms or spaces that are not part of the living space of a *dwelling unit* and that communicate directly with a private garage through openings shall be considered to be part of the private garage.

**[FG] 304.5.1 Natural ventilation.** Indoor locations intended for hydrogen-generating or refueling operations shall be limited to a maximum floor area of 850 square feet (79 m<sup>2</sup>) and shall communicate with the outdoors in accordance with Sections 304.5.1.1 through 304.5.1.2. The maximum rated output capacity of hydrogen generating appliances shall not exceed 4 standard cubic feet per minute (0.00189 m<sup>3</sup>/s) of hydrogen for each 250 square feet (23.2 m<sup>2</sup>) of floor area in such spaces. The minimum cross-sectional dimension of air openings shall be 3 inches (76 mm). Where ducts are used, they shall be of the same cross-sectional area as the free area of the openings to which they connect. In such locations, *equipment* and appliances having an *ignition source* shall be located such that the source of ignition is not within 12 inches (305 mm) of the ceiling.

**[FG] 304.5.1.1 Two openings.** Two permanent openings shall be provided within the garage. The upper opening shall be located entirely within 12 inches (305 mm) of the ceiling of the garage. The lower opening shall be located entirely within 12 inches (305 mm) of the floor of the garage. Both openings shall be provided in the same exterior wall. The openings shall communicate directly with the outdoors and shall have a minimum free area of 1/2 square foot per 1,000 cubic feet (1 m<sup>2</sup>/610 m<sup>3</sup>) of garage volume.

**[FG] 304.5.1.2 Louvers and grilles.** In calculating free area required by Section 304.5.1, the required size of openings shall be based on the net free area of each opening. If the free area through a design of louver or grille is known, it shall be used in calculating the size opening required to provide the free area specified. If the design and free area are not known, it shall be assumed that wood louvers will have 25 percent free area and metal louvers and grilles will have 75 percent free area. Louvers and grilles shall be fixed in the open position.

**[FG] 304.5.2 Mechanical ventilation.** Indoor locations intended for hydrogen-generating or refueling operations shall be ventilated in accordance with Section 502.16. In such locations, *equipment* and appliances having an *ignition source* shall be located such that the source of ignition is below the mechanical ventilation outlet(s).

**[FG] 304.5.3 Specially engineered installations.** As an alternative to the provisions of Sections 304.5.1 and 304.5.2 the necessary supply of air for ventilation and dilution of flammable gases shall be provided by an *approved* engineered system.

**304.6 Public garages.** Appliances located in public garages, motor fueling-dispensing facilities, repair garages or other areas frequented by motor vehicles, shall be installed a minimum of 8 feet (2438 mm) above the floor. Where motor vehicles are capable of passing under an *appliance*, the *appliance* shall be installed at the clearances required by the *appliance* manufacturer and not less than 1 foot (305 mm) higher than the tallest vehicle garage door opening.

**Exception:** The requirements of this section shall not apply where the appliances are protected from motor vehicle impact and installed in accordance with Section 304.3 and NFPA 30A.



**304.7 Private garages.** Appliances located in private garages and carports shall be installed with a minimum clearance of 6 feet (1829 mm) above the floor.

**Exception:** The requirements of this section shall not apply where the appliances are protected from motor vehicle impact and installed in accordance with Section 304.3.

**304.8 Construction and protection.** Boiler rooms and furnace rooms shall be protected as required by the *International Building Code*.

**304.9 Clearances to combustible construction.** Heat-producing equipment and appliances shall be installed to maintain the required clearances to combustible construction as specified in the listing and manufacturer’s instructions. Such clearances shall be reduced only in accordance with Section 308. Clearances to combustibles shall include such considerations as door swing, drawer pull, overhead projections or shelving and window swing, shutters, coverings and drapes. Devices such as doorstops or limits, closers, drapery ties or guards shall not be used to provide the required clearances.

**304.10 Clearances from grade.** Equipment and appliances installed at grade level shall be supported on a level concrete slab or other approved material extending not less than 3 inches (76 mm) above adjoining grade or shall be suspended not less than 6 inches (152 mm) above adjoining grade. Such support shall be in accordance with the manufacturer’s installation instructions.

**304.11 Clearances and encroachments in the public right of way.** All encroachments of equipment and appliances on, over or under sidewalks, streets, alleys and other public property are subject to approval by the Director of Transportation and the code official. Encroachments shall comply with this code and other codes as determined by the Director of Transportation and the code official.

**Note:** The Department of Transportation publishes the “Seattle Right-of-Way Improvements Manual” that contains detailed information on clearances, encroachments and required SDOT street use permits. The Department of Transportation discourages encroachments into the public right-of-way by mechanical equipment.

**[B] 304.12 ((304.11)) Guards.** Guards shall be provided where appliances, equipment, fans or other components that require service and roof hatch openings are located within 10 feet (3048 mm) of a roof edge or open side of a walking surface and such edge or open side is located more than 30 inches (762 mm) above the floor, roof or grade below. The guard shall extend not less than 30 inches (762 mm) beyond each end of such appliances, equipment, fans, components and roof hatch openings and the top of the guard shall be located not less than 42 inches (1067 mm) above the elevated surface adjacent to the guard. The guard shall be constructed so as to prevent the passage of a 21-inch-diameter (533 mm) sphere and shall comply with the loading requirements for guards specified in the *International Building Code*.

**304.13 ((304.12)) Area served.** Appliances serving different areas of a building other than where they are installed shall be permanently marked in an approved manner that uniquely identifies the appliance and the area it serves.

**SECTION 305  
PIPING SUPPORT**

**305.1 General.** All mechanical system piping shall be supported in accordance with this section.

**305.2 Materials.** Pipe hangers and supports shall have sufficient strength to withstand all anticipated static and specified dynamic loading conditions associated with the intended use. Pipe hangers and supports that are in direct contact with piping shall be of approved materials that are compatible with the piping and that will not promote galvanic action.

**305.3 Structural attachment.** Hangers and anchors shall be attached to the building construction in an approved manner.

**305.4 Interval of support.** Piping shall be supported at distances not exceeding the spacing specified in Table 305.4, or in accordance with MSS SP-69.

**TABLE 305.4  
PIPING SUPPORT SPACING<sup>a</sup>**

PIPING MATERIAL	MAXIMUM HORIZONTAL SPACING (feet)	MAXIMUM VERTICAL SPACING (feet)
ABS pipe	4	10 <sup>c</sup>
Aluminum pipe and tubing	10	15
Brass pipe	10	10
Brass tubing, 1¼-inch diameter and smaller	6	10
Brass tubing, 1½-inch diameter and larger	10	10
Cast-iron pipe <sup>b</sup>	5	15
Copper or copper-alloy pipe	12	10
Copper or copper-alloy tubing, 1¼-inch diameter and smaller	6	10
Copper or copper-alloy tubing, 1½-inch diameter and larger	10	10
CPVC pipe or tubing, 1 inch and smaller	3	10 <sup>c</sup>
CPVC pipe or tubing, 1¼-inch and larger	4	10 <sup>c</sup>
Lead pipe	Continuous	4
PB pipe or tubing	2⅔ (32 inches)	4
PEX tubing	2⅔ (32 inches)	10 <sup>c</sup>
Polypropylene (PP) pipe or tubing, 1 inch or smaller	2⅔ (32 inches)	10 <sup>c</sup>
Polypropylene (PP) pipe or tubing, 1¼ inches or larger	4	10 <sup>c</sup>
PVC pipe	4	10 <sup>c</sup>
Steel tubing	8	10
Steel pipe	12	15

For SI: 1 inch = 25.4 mm, 1 foot = 304.8 mm.

a. See Section 301.15.

b. The maximum horizontal spacing of cast-iron pipe hangers shall be increased to 10 feet where 10-foot lengths of pipe are installed.

c. Mid-story guide.

**305.5 Protection against physical damage.** In concealed locations where piping, other than cast-iron or steel, is installed through holes or notches in studs, joists, rafters or similar members less than 1½ inches (38 mm) from the nearest edge of the member, the pipe shall be protected by shield plates. Protective steel shield plates having a minimum thickness of 0.0575 inch (1.463 mm) (No. 16 gage) shall cover the area of the pipe where the member is notched or bored, and shall extend a minimum of 2 inches (51 mm) above sole plates and below top plates.

## SECTION 306 ACCESS AND SERVICE SPACE

**306.1 Access for maintenance and replacement.** Appliances shall be accessible for inspection, service, repair and replacement without disabling the function of a fire-resistance-rated assembly or removing permanent construction, other appliances, venting systems or any other piping or ducts not connected to the *appliance* being inspected, serviced, repaired or replaced. A level working space at least 30 inches deep and 30 inches wide (762 mm by 762 mm) shall be provided in front of the control side to service an *appliance*.

**306.1.1 Central furnaces.** Central furnaces within compartments or alcoves shall have a minimum working space *clearance* of 3 inches (76 mm) along the sides, back and top with a total width of the enclosing space being at least 12 inches (305 mm) wider than the furnace. Furnaces having a firebox open to the atmosphere shall have at least 6 inches (152 mm) working space along the front *combustion* chamber side. *Combustion air* openings at the rear or side of the compartment shall comply with the requirements of Chapter 7.

**Exception:** This section shall not apply to replacement appliances installed in existing compartments and alcoves where the working space clearances are in accordance with the *equipment* or *appliance* manufacturer's installation instructions.

**306.2 Appliances in rooms.** Rooms containing appliances shall be provided with a door and an unobstructed passageway measuring not less than 36 inches (914 mm) wide and 80 inches (2032 mm) high.

**Exception:** Within a *dwelling unit*, appliances installed in a compartment, alcove, basement or similar space shall be accessed by an opening or door and an unobstructed passageway measuring not less than 24 inches (610 mm) wide and large enough to allow removal of the largest *appliance* in the space, provided that a level service space of not less than 30 inches (762 mm) deep and the height of the *appliance*, but not less than 30 inches (762 mm), is present at the front or service side of the *appliance* with the door open.

**306.3 Appliances in attics.** Attics containing appliances shall be provided with an opening and unobstructed passageway large enough to allow removal of the largest *appliance*. The passageway shall not be less than 30 inches (762 mm) high and 22 inches (559 mm) wide and not more than 20 feet (6096 mm) in length measured along the centerline of the passageway from the opening to the *appliance*. The passageway shall have continuous solid flooring not less than 24 inches (610 mm)

wide. A level service space not less than 30 inches (762 mm) deep and 30 inches (762 mm) wide shall be present at the front or service side of the *appliance*. The clear access opening dimensions shall be a minimum of 20 inches by 30 inches (508 mm by 762 mm), and large enough to allow removal of the largest *appliance*.

### Exceptions:

1. The passageway and level service space are not required where the *appliance* is capable of being serviced and removed through the required opening.
2. Where the passageway is unobstructed and not less than 6 feet (1829 mm) high and 22 inches (559 mm) wide for its entire length, the passageway shall be not greater than 50 feet (15 250 mm) in length.

**306.3.1 Electrical requirements.** A luminaire controlled by a switch located at the required passageway opening and a receptacle outlet shall be provided at or near the *appliance* location in accordance with ((NFPA 70)) the *Seattle Electrical Code*.

**306.4 Appliances under floors.** Underfloor spaces containing appliances shall be provided with an access opening and unobstructed passageway large enough to remove the largest *appliance*. The passageway shall not be less than 30 inches (762 mm) high and 22 inches (559 mm) wide, nor more than 20 feet (6096 mm) in length measured along the centerline of the passageway from the opening to the *appliance*. A level service space not less than 30 inches (762 mm) deep and 30 inches (762 mm) wide shall be present at the front or service side of the *appliance*. If the depth of the passageway or the service space exceeds 12 inches (305 mm) below the adjoining grade, the walls of the passageway shall be lined with concrete or masonry. Such concrete or masonry shall extend a minimum of 4 inches (102 mm) above the adjoining grade and shall have sufficient lateral-bearing capacity to resist collapse. The clear access opening dimensions shall be a minimum of 22 inches by 30 inches (559 mm by 762 mm), and large enough to allow removal of the largest *appliance*.

### Exceptions:

1. The passageway is not required where the level service space is present when the access is open and the *appliance* is capable of being serviced and removed through the required opening.
2. Where the passageway is unobstructed and not less than 6 feet high (1929 mm) and 22 inches (559 mm) wide for its entire length, the passageway shall not be limited in length.

**306.4.1 Electrical requirements.** A luminaire controlled by a switch located at the required passageway opening and a receptacle outlet shall be provided at or near the *appliance* location in accordance with ((NFPA 70)) the *Seattle Electrical Code*.

**306.5 Equipment and appliances on roofs or elevated structures.** Where *equipment* and *appliances* requiring access ((and *appliances*)) are installed on roofs or elevated structures at a height exceeding 16 feet (4877 mm), such access shall be provided by a permanent *approved* means of access, the extent of

which shall be from grade or floor level to the *equipment* and appliances' level service space. Such access shall not require climbing over obstructions greater than 30 inches (762 mm) high or walking on roofs having a slope greater than four units vertical in 12 units horizontal (33-percent slope). Where access involves climbing over parapet walls, the height shall be measured to the top of the parapet wall.

Permanent ladders installed to provide the required access shall comply with the following minimum design criteria:

1. The side railing shall extend above the parapet or roof edge not less than ~~((30))~~ 42 inches ~~((762))~~ 1067 mm.
2. Ladders shall have rung spacing not to exceed ~~((14))~~ 12 inches ~~((356))~~ 305 mm on center.
3. Ladders shall have a toe spacing not less than ~~((6))~~ 7 inches ~~((152))~~ 178 mm deep.
4. There shall be a minimum of 18 inches (457 mm) between rails.
5. Rungs shall have a minimum 0.75-inch (19 mm) diameter and be capable of withstanding a 300-pound (136.1 kg) load.
6. Ladders over 30 feet (9144 mm) in height shall be provided with offset sections and landings capable of withstanding 100 pounds per square foot (488.2 kg/m<sup>2</sup>). Landing dimensions shall be not less than 18 inches (457 mm) and not less than the width of the ladder served. A guard rail shall be provided on all open sides of the landing.
7. Ladders shall be protected against corrosion by *approved* means.

Catwalks installed to provide the required access shall be not less than 24 inches (610 mm) wide and shall have railings as required for service platforms.

**Exception:** This section shall not apply to Group R-3 occupancies.

**306.5.1 Sloped roofs.** Where appliances, *equipment*, fans or other components that require service are installed on a roof having a slope of three units vertical in 12 units horizontal (25-percent slope) or greater and having an edge more than 30 inches (762 mm) above grade at such edge, a level platform shall be provided on each side of the *appliance* or *equipment* to which access is required for service, repair or maintenance. The platform shall be not less than 30 inches (762 mm) in any dimension and shall be provided with guards. The guards shall extend not less than 42 inches (1067 mm) above the platform, shall be constructed so as to prevent the passage of a 21-inch diameter (533 mm) sphere and shall comply with the loading requirements for guards specified in the *International Building Code*. Access shall not require walking on roofs having a slope greater than four units vertical in 12 units horizontal (33-percent slope). Where access involves obstructions greater than 30 inches (762 mm) in height, such obstructions shall be provided with ladders installed in accordance with Section 306.5 or stairs installed in accordance with the requirements specified in the *International Building Code* in the path of travel to and from appliances, fans or *equipment* requiring service.

**306.5.2 Electrical requirements.** A receptacle outlet shall be provided at or near the *equipment* location in accordance with ~~((NFPA-70))~~ the *Seattle Electrical Code*.

**SECTION 307  
CONDENSATE DISPOSAL**

**307.1 Fuel-burning appliances.** Liquid *combustion* by-products of condensing appliances shall be collected and discharged to an *approved* plumbing fixture or disposal area in accordance with the manufacturer's installation instructions. Condensate piping shall be of *approved* corrosion-resistant material and shall not be smaller than the drain connection on the appliance. Such piping shall maintain a minimum horizontal slope in the direction of discharge of not less than one-eighth unit vertical in 12 units horizontal (1-percent slope).

**307.2 Evaporators and cooling coils.** Condensate drain systems shall be provided for *equipment* and appliances containing evaporators or cooling coils. Condensate drain systems shall be designed, constructed and installed in accordance with Sections 307.2.1 through 307.2.4.

**307.2.1 Condensate disposal.** Condensate from all cooling coils and evaporators shall be conveyed from the drain pan outlet to an *approved* place of disposal. Such piping shall maintain a minimum horizontal slope in the direction of discharge of not less than one-eighth unit vertical in 12 units horizontal (1-percent slope). Condensate shall not discharge into a street, alley or other areas so as to cause a nuisance.

**307.2.2 Drain pipe materials and sizes.** Components of the condensate disposal system shall be cast iron, galvanized steel, copper, cross-linked polyethylene, polybutylene, polyethylene, ABS, CPVC or PVC pipe or tubing. All components shall be selected for the pressure and temperature rating of the installation. Joints and connections shall be made in accordance with the applicable provisions of Chapter 7 of the ~~((International))~~ *Uniform Plumbing Code* relative to the material type. Condensate waste and drain line size shall be not less than 3/4-inch (19 mm) internal diameter and shall not decrease in size from the drain pan connection to the place of condensate disposal. Where the drain pipes from more than one unit are manifolded together for condensate drainage, the pipe or tubing shall be sized in accordance with Table 307.2.2.

**TABLE 307.2.2  
CONDENSATE DRAIN SIZING**

EQUIPMENT CAPACITY	MINIMUM CONDENSATE PIPE DIAMETER
Up to 20 tons of refrigeration	3/4 inch
Over 20 tons to 40 tons of refrigeration	1 inch
Over 40 tons to 90 tons of refrigeration	1 1/4 inch
Over 90 tons to 125 tons of refrigeration	1 1/2 inch
Over 125 tons to 250 tons of refrigeration	2 inch

1 inch = 25.4 mm, 1 ton = 3.517 kW.



**307.2.3 Auxiliary and secondary drain systems.** In addition to the requirements of Section 307.2.1, where damage to any building components could occur as a result of overflow from the *equipment* primary condensate removal system, one of the following auxiliary protection methods shall be provided for each cooling coil or fuel-fired *appliance* that produces condensate:

1. An auxiliary drain pan with a separate drain shall be provided under the coils on which condensation will occur. The auxiliary pan drain shall discharge to a conspicuous point of disposal to alert occupants in the event of a stoppage of the primary drain. The pan shall have a minimum depth of 1½ inches (38 mm), shall not be less than 3 inches (76 mm) larger than the unit or the coil dimensions in width and length and shall be constructed of corrosion-resistant material. Galvanized sheet steel pans shall have a minimum thickness of not less than 0.0236 inch (0.6010 mm) (No. 24 gage). Nonmetallic pans shall have a minimum thickness of not less than 0.0625 inch (1.6 mm).
2. A separate overflow drain line shall be connected to the drain pan provided with the *equipment*. Such overflow drain shall discharge to a conspicuous point of disposal to alert occupants in the event of a stoppage of the primary drain. The overflow drain line shall connect to the drain pan at a higher level than the primary drain connection.
3. An auxiliary drain pan without a separate drain line shall be provided under the coils on which condensate will occur. Such pan shall be equipped with a water-level detection device conforming to UL 508 that will shut off the *equipment* served prior to overflow of the pan. The auxiliary drain pan shall be constructed in accordance with Item 1 of this section.
4. A water-level detection device conforming to UL 508 shall be provided that will shut off the *equipment* served in the event that the primary drain is blocked. The device shall be installed in the primary drain line, the overflow drain line, or in the equipment-supplied drain pan, located at a point higher than the primary drain line connection and below the overflow rim of such pan.

**Exception:** Fuel-fired appliances that automatically shut down operation in the event of a stoppage in the condensate drainage system.

**307.2.3.1 Water-level monitoring devices.** On downflow units and all other coils that do not have a secondary drain or provisions to install a secondary or auxiliary drain pan, a water-level monitoring device shall be installed inside the primary drain pan. This device shall shut off the *equipment* served in the event that the primary drain becomes restricted. Devices installed in the drain line shall not be permitted.

**307.2.3.2 Appliance, equipment and insulation in pans.** Where appliances, *equipment* or insulation are subject to water damage when auxiliary drain pans fill, that portion of the *appliance*, *equipment* and insulation shall be installed above the rim of the pan. Supports

located inside of the pan to support the *appliance* or *equipment* shall be water resistant and *approved*.

**307.2.4 Traps.** Condensate drains shall be trapped as required by the *equipment* or *appliance* manufacturer.

## SECTION 308 CLEARANCE REDUCTION

**308.1 Scope.** This section shall govern the reduction in required *clearances* to combustible materials and combustible assemblies for *chimneys*, vents, kitchen exhaust equipment, mechanical appliances, and mechanical devices and *equipment*.

**308.2 Listed appliances and equipment.** The reduction of the required *clearances* to combustibles for *listed* and *labeled* appliances and *equipment* shall be in accordance with the requirements of this section except that such clearances shall not be reduced where reduction is specifically prohibited by the terms of the *appliance* or *equipment* listing.

**308.3 Protective assembly construction and installation.** Reduced *clearance* protective assemblies, including structural and support elements, shall be constructed of noncombustible materials. Spacers utilized to maintain an airspace between the protective assembly and the protected material or assembly shall be noncombustible. Where a space between the protective assembly and protected combustible material or assembly is specified, the same space shall be provided around the edges of the protective assembly and the spacers shall be placed so as to allow air circulation by convection in such space. Protective assemblies shall not be placed less than 1 inch (25 mm) from the mechanical appliances, devices or *equipment*, regardless of the allowable reduced *clearance*.

**308.4 Allowable reduction.** The reduction of required *clearances* to combustible assemblies or combustible materials shall be based on the utilization of a reduced *clearance* protective assembly in accordance with Section 308.5 or 308.6.

**308.5 Labeled assemblies.** The allowable *clearance* reduction shall be based on an *approved* reduced *clearance* protective assembly that has been tested and bears the label of an *approved* agency.

**308.6 Reduction table.** The allowable *clearance* reduction shall be based on one of the methods specified in Table 308.6. Where required *clearances* are not listed in Table 308.6, the reduced *clearances* shall be determined by linear interpolation between the distances listed in the table. Reduced *clearances* shall not be derived by extrapolation below the range of the table.

**308.7 Solid fuel-burning appliances.** The *clearance* reduction methods specified in Table 308.6 shall not be utilized to reduce the *clearance* required for solid fuel-burning appliances that are *labeled* for installation with clearances of 12 inches (305 mm) or less. Where appliances are *labeled* for installation with *clearances* of greater than 12 inches (305 mm), the *clearance* reduction methods of Table 308.6 shall not reduce the *clearance* to less than 12 inches (305 mm).

**308.8 Masonry chimneys.** The *clearance* reduction methods specified in Table 308.6 shall not be utilized to reduce the *clearances* required for masonry *chimneys* as specified in Chapter 8 and the *International Building Code*.

**TABLE 308.6  
CLEARANCE REDUCTION METHODS<sup>b</sup>**

TYPE OF PROTECTIVE ASSEMBLY <sup>a</sup>	REDUCED CLEARANCE WITH PROTECTION (inches) <sup>a</sup>							
	Horizontal combustible assemblies located above the heat source				Horizontal combustible assemblies located beneath the heat source and all vertical combustible assemblies			
	Required clearance to combustibles without protection (inches) <sup>a</sup>				Required clearance to combustibles without protection (inches)			
	36	18	9	6	36	18	9	6
Galvanized sheet steel, having a minimum thickness of 0.0236 inch (0.6010 mm) (No. 24 gage), mounted on 1-inch glass fiber or mineral wool batt reinforced with wire on the back, 1 inch off the combustible assembly	18	9	5	3	12	6	3	3
Galvanized sheet steel, having a minimum thickness of 0.0236 inch (0.6010 mm) (No. 24 gage), spaced 1 inch off the combustible assembly	18	9	5	3	12	6	3	2
Two layers of galvanized sheet steel, having a minimum thickness of 0.0236 inch (0.6010 mm) (No. 24 gage), having a 1-inch airspace between layers, spaced 1 inch off the combustible assembly	18	9	5	3	12	6	3	3
Two layers of galvanized sheet steel, having a minimum thickness of 0.0236 inch (0.6010 mm) (No. 24 gage), having 1 inch of fiberglass insulation between layers, spaced 1 inch off the combustible assembly	18	9	5	3	12	6	3	3
0.5-inch inorganic insulating board, over 1 inch of fiberglass or mineral wool batt, against the combustible assembly	24	12	6	4	18	9	5	3
3 1/2-inch brick wall, spaced 1 inch off the combustible wall	—	—	—	—	12	6	6	6
3 1/2-inch brick wall, against the combustible wall	—	—	—	—	24	12	6	5

For SI: 1 inch = 25.4 mm, °C = [(°F)-32]/1.8, 1 pound per cubic foot = 16.02 kg/m<sup>3</sup>, 1.0 Btu · in/ft<sup>2</sup> · h · °F = 0.144 W/m<sup>2</sup> · K.

- a. Mineral wool and glass fiber batts (blanket or board) shall have a minimum density of 8 pounds per cubic foot and a minimum melting point of 1,500°F. Insulation material utilized as part of a clearance reduction system shall have a thermal conductivity of 1.0 Btu · in/(ft<sup>2</sup> · h · °F) or less. Insulation board shall be formed of noncombustible material.
- b. For limitations on clearance reduction for solid fuel-burning appliances, masonry chimneys, connector pass-throughs, masonry fireplaces and kitchen ducts, see Sections 308.7 through 308.11.

**308.9 Chimney connector pass-throughs.** The *clearance* reduction methods specified in Table 308.6 shall not be utilized to reduce the *clearances* required for *chimney* connector pass-throughs as specified in Section 803.10.4.

**308.10 Masonry fireplaces.** The *clearance* reduction methods specified in Table 308.6 shall not be utilized to reduce the *clearances* required for masonry fireplaces as specified in Chapter 8 and the *International Building Code*.

**308.11 Kitchen exhaust ducts.** The *clearance* reduction methods specified in Table 308.6 shall not be utilized to reduce the minimum *clearances* required by Section 506.3.10 for kitchen exhaust ducts enclosed in a shaft.

**[B] SECTION 309  
TEMPERATURE CONTROL**

**[B] 309.1 Space-heating systems.** Interior spaces intended for human occupancy shall be provided with active or passive space-heating systems capable of maintaining an average ((a minimum)) indoor temperature of 68°F (20°C) at a point 3 feet (914 mm) above floor ((on the design heating day)) when the outside temperature is 24°F. The installation of portable space

heaters shall not be used to achieve compliance with this section.

**Exception:** Interior spaces where the primary purpose is not associated with human comfort.

**[F] SECTION 310  
EXPLOSION CONTROL**

**[F] 310.1 Required.** Structures occupied for purposes involving explosion hazards shall be provided with explosion control where required by the *International Fire Code*. Explosion control systems shall be designed and installed in accordance with Section 911 of the *International Fire Code*.

**[F] SECTION 311  
SMOKE AND HEAT VENTS**

**[F] 311.1 Required.** *Approved* smoke and heat vents shall be installed in the roofs of one-story buildings where required by the *International Fire Code*. Smoke and heat vents shall be designed and installed in accordance with the *International Fire Code*.

**SECTION 312  
HEATING AND COOLING LOAD CALCULATIONS**

**312.1 Load calculations.** Heating and cooling system design loads for the purpose of sizing systems, appliances and *equipment* shall be determined in accordance with the procedures described in the ~~((ASHRAE/ACCA Standard 183))~~ *Washington State Energy Code with Seattle Amendments*. ~~((Alternatively, design loads shall be determined by an approved equivalent computation procedure, using the design parameters specified in Chapter 3 of the *International Energy Conservation Code*.)~~)



# CHAPTER 4

## VENTILATION

### SECTION 401 GENERAL

**401.1 Scope.** This chapter shall govern the ventilation of spaces within a building intended to be occupied. Mechanical exhaust systems, including exhaust systems serving clothes dryers and cooking appliances; hazardous exhaust systems; dust, stock and refuse conveyor systems; slab soil exhaust systems; smoke control systems; energy recovery ventilation systems and other systems specified in Section 502 shall comply with Chapter 5.

**401.2 Ventilation required.** Every occupied space other than enclosed parking garages, loading docks and motor vehicle repair garages shall be ventilated in accordance with Section 401.2.1 or 401.2.2. Enclosed parking garages, loading docks and motor vehicle repair garages shall be ventilated by mechanical means in accordance with Sections 403 and 404.

**[W] 401.2.1 Group R occupancies.** Ventilation in Group R occupancies shall be provided in accordance with Sections 403.8 and 403.9.

**401.2.2 All other occupancies.** Ventilation in all other occupancies shall be provided by natural means in accordance with Section 402 or by mechanical means in accordance with Sections 403.1 through 403.7 and 403.9.

**401.3 When required.** Ventilation shall be provided during the periods that the room or space is occupied.

**401.4 Intake opening location.** Air intake openings shall comply with all of the following:

1. Intake openings shall be located a minimum of 10 feet (3048 mm) from lot lines or buildings on the same lot. Where openings front on a street or public way, the distance shall be measured to the ((centerline)) opposite side of the street or public way.
2. Mechanical and gravity outdoor air intake openings shall be located not less than 10 feet (3048 mm) horizontally from any hazardous or noxious contaminant source, such as vents, streets, alleys, parking lots and loading docks, except as specified in Item 3 or Section 501.2.1. The exhaust from a bathroom, clothes dryer or kitchen in a residential dwelling shall not be considered to be a hazardous or noxious contaminant.
3. Intake openings shall be located not less than 3 feet (914 mm) below contaminant sources where such sources are located within 10 feet (3048 mm) of the opening.
4. Intake openings on structures in flood hazard areas shall be at or above the design flood level.
5. Intake openings shall not be located:
  - 5.1. In a crawl space;
  - 5.2. Less than 1 foot (305 mm) above a roof, adjacent grade, or other surface directly below the intake;  
or

5.3. Under a deck having a surface height less than 3 feet above grade or other surface directly below the intake.

**Interpretation:** For purposes of this section, lot line includes any property line separating one lot from another lot, but does not include any property line separating a lot from a public street or alley right-of-way.

**401.5 Intake opening protection.** Air intake openings that terminate outdoors shall be protected with corrosion-resistant screens, louvers or grilles. Openings in louvers, grilles and screens shall be sized in accordance with Table 401.5, and shall be protected against local weather conditions. Outdoor air intake openings located in exterior walls shall meet the provisions for exterior wall opening protectives in accordance with the *International Building Code*.

**TABLE 401.5  
OPENING SIZES IN LOUVERS, GRILLES AND  
SCREENS PROTECTING AIR INTAKE OPENINGS**

OUTDOOR OPENING TYPE	MINIMUM AND MAXIMUM OPENING SIZES IN LOUVERS, GRILLES AND SCREENS MEASURED IN ANY DIRECTION
Intake openings in residential occupancies	Not < 1/4 inch and not > 1/2 inch
Intake openings in other than residential occupancies	> 1/4 inch and not > 1 inch

For SI: 1 inch = 25.4 mm.

**401.6 Contaminant sources.** Stationary local sources producing airborne particulates, heat, odors, fumes, spray, vapors, smoke or gases in such quantities as to be irritating or injurious to health shall be provided with an exhaust system in accordance with Chapter 5 or a means of collection and removal of the contaminants. Such exhaust shall discharge directly to an *approved* location at the exterior of the building.

**401.7 Compliance and commissioning.** Compliance with Section 403.9 shall be demonstrated through engineering calculations. Documentation of calculations shall be submitted on the permit plan sets.

Testing and commissioning shall be performed and documented in accordance with Section 1416 of the *Washington State Energy Code with Seattle Amendments*.

### SECTION 402 NATURAL VENTILATION

**[B] 402.1 Natural ventilation.** *Natural ventilation* of an occupied space shall be through windows, doors, louvers or other openings to the outdoors. The operating mechanism for such

## VENTILATION

openings shall be provided with ready access so that the openings are readily controllable by the building occupants.

**Exception:** Automatically controlled natural ventilation systems do not require ready access and control by building occupants.

**[B] 402.2 Ventilation area required.** The minimum openable area to the outdoors shall be 4 percent of the floor area being ventilated.

**[B] 402.3 Adjoining spaces.** Where rooms and spaces without openings to the outdoors are ventilated through an adjoining room, the opening to the adjoining rooms shall be unobstructed and shall have an area not less than 8 percent of the floor area of the interior room or space, but not less than 25 square feet (2.3 m<sup>2</sup>). The minimum openable area to the outdoors shall be based on the total floor area being ventilated.

**Exception:** Exterior openings required for ventilation shall be permitted to open into a thermally isolated sunroom addition or patio cover, provided that the openable area between the sunroom addition or patio cover and the interior room has an area of not less than 8 percent of the floor area of the interior room or space, but not less than 20 square feet (1.86 m<sup>2</sup>). The minimum openable area to the outdoors shall be based on the total floor area being ventilated.

**[B] 402.4 Openings below grade.** Where openings below grade provide required *natural ventilation*, the outside horizontal clear space measured perpendicular to the opening shall be one and one-half times the depth of the opening. The depth of the opening shall be measured from the average adjoining ground level to the bottom of the opening.

### SECTION 403 MECHANICAL VENTILATION

**403.1 Ventilation system.** Mechanical ventilation shall be provided by a method of supply air and return or *exhaust air*. The amount of supply air shall be approximately equal to the amount of return and *exhaust air*. The system shall not be prohibited from producing negative or positive pressure. The system to convey *ventilation air* shall be designed and installed in accordance with Chapter 6.

**[W] 403.2 Outdoor air required.** The minimum ventilation rate of outdoor air ~~((flow rate))~~ shall be determined in accordance with Section 403.3. Ventilation supply systems shall be designed to deliver the required rate of outdoor airflow to the *breathing zone* within each *occupiable space*.

**Exception:** Where the *registered design professional* demonstrates that an engineered ventilation system ~~((design will prevent the maximum concentration of contaminants from exceeding that obtainable by the rate of outdoor air ventilation determined in accordance with Sec-~~

~~tion 403.3, the minimum required rate of outdoor air shall be reduced in accordance with such engineered system design)) is designed in accordance with ASHRAE Standard 62.1 Section 6.2, Ventilation Rate Procedure, shall be permitted.~~

**403.2.1 Recirculation of air.** The outdoor air required by Section 403.3 shall not be recirculated. Air in excess of that required by Section 403.3 shall not be prohibited from being recirculated as a component of supply air to building spaces, except that:

1. *Ventilation air* shall not be recirculated from one *dwelling* to another or to dissimilar occupancies.
2. Supply air to a swimming pool and associated deck areas shall not be recirculated unless such air is dehumidified to maintain the relative humidity of the area at 60 percent or less. Air from this area shall not be recirculated to other spaces where more than 10 percent of the resulting supply airstream consists of air recirculated from these spaces.
3. Where mechanical exhaust is required by Note b in Table 403.3, recirculation of air from such spaces shall be prohibited. All air supplied to such spaces shall be exhausted, including any air in excess of that required by Table 403.3.
4. Building HVAC air used as transfer air for heat removal may be recirculated. ~~((Where mechanical exhaust is required by Note g in Table 403.3, mechanical exhaust is required and recirculation is prohibited where more than 10 percent of the resulting supply airstream consists of air recirculated from these spaces.))~~

**403.2.2 Transfer air.** Except where recirculation from such spaces is prohibited by Table 403.3, air transferred from occupiable spaces is not prohibited from serving as *makeup air* for required exhaust systems in such spaces as kitchens, baths, toilet rooms, elevators and smoking lounges. The amount of transfer air and *exhaust air* shall be sufficient to provide the flow rates as specified in Section 403.3. The required outdoor airflow rates specified in Table 403.3 shall be introduced directly into such spaces or into the occupied spaces from which air is transferred or a combination of both.

**403.2.3 Outdoor air delivery.** The outdoor air shall be ducted in a fully enclosed path directly to every air-handling unit in each zone not provided with sufficient operable opening area for natural ventilation to occur.

**Exception:** Ducts may terminate within 12 inches of the intake to an HVAC unit if they are physically fastened so that the outdoor air duct is directed into the unit intake.

**TABLE 403.3  
MINIMUM VENTILATION RATES**

OCCUPANCY CLASSIFICATION	PEOPLE OUTDOOR AIRFLOW RATE IN BREATHING ZONE, $R_p$ CFM/PERSON	AREA OUTDOOR AIRFLOW RATE IN BREATHING ZONE, $R_a$ CFM/FT <sup>2</sup> a	DEFAULT OCCUPANT DENSITY #/1000 FT <sup>2</sup> a	EXHAUST AIRFLOW RATE CFM/FT <sup>2</sup> a
<b>Correctional facilities</b>				
Cells				
without plumbing fixtures	5	0.12	25	—
with plumbing fixtures <sup>(g)</sup> b,k	5	0.12	25	1.0
Dining halls (see food and beverage service)	—	—	—	—
Guard stations	5	0.06	15	—
Day room	5	0.06	30	—
Booking/waiting	7.5	0.06	50	—
<b>Dry cleaners, laundries</b>				
Coin-operated dry cleaner	15	—	20	—
Coin-operated laundries	7.5	0.06	20	—
Commercial dry cleaner	30	—	30	—
Commercial laundry	25	—	10	—
Storage, pick up	7.5	0.12	30	—
<b>Education</b>				
Auditoriums	5	0.06	150	—
Corridors (see public spaces)	—	—	—	—
Media center	10	0.12	25	—
Sports locker rooms <sup>(g)</sup> b,k	—	—	—	0.5
Music/theater/dance <del>((Smoking lounges<sup>b</sup>))<sup>i</sup></del>	10 <del>((60))</del>	0.06	35 <del>((70))</del>	— <del>((—))</del>
Day care (through age 4)	10	0.18	25	—
Classrooms (ages 5-8)	10	0.12	25	—
Classrooms (age 9 plus)	10	0.12	35	—
Lecture classroom	7.5	0.06	65	—
Lecture hall (fixed seats)	7.5	0.06	150	—
Art classroom <sup>(g)</sup>	10	0.18	20	0.7
Science laboratories <sup>(g)</sup> b,k	10	0.18	25	1.0
Wood/metal shops <sup>(g)</sup> b,k	10	0.18	20	0.5
Computer lab	10	0.12	25	—
Multiuse assembly	7.5	0.06	100	—
Locker/dressing rooms <sup>(g)</sup> b,k	—	—	—	0.25
<b>Food and beverage service</b>				
Bars, cocktail lounges	7.5	0.18	100	—
Cafeteria, fast food	7.5	0.18	100	—
Dining rooms	7.5	0.18	70	—
Kitchens (cooking) <sup>b</sup>	—	—	—	0.7
<b>Hospitals, nursing and convalescent homes</b>				
Autopsy rooms <sup>b</sup>	—	—	—	0.5
Medical procedure rooms	15	—	20	—
Operating rooms	30	—	20	—
Patient rooms	25	—	10	—
Physical therapy	15	—	20	—
Recovery and ICU	15	—	20	—
<b>Hotels, motels, resorts and dormitories</b>				
Multipurpose assembly	5	0.06	120	—
Bathrooms/toilet—private <sup>(g)</sup> b,k	—	—	—	25/50 <sup>f</sup>
Bedroom/living room	5	0.06	10	—
Conference/meeting	5	0.06	50	—
Dormitory sleeping areas	5	0.06	20	—
Gambling casinos	7.5	0.18	120	—
Lobbies/prefunction	7.5	0.06	30	—

(continued)

VENTILATION

TABLE 403.3—continued  
MINIMUM VENTILATION RATES

OCCUPANCY CLASSIFICATION	PEOPLE OUTDOOR AIRFLOW RATE IN BREATHING ZONE, $R_p$ CFM/PERSON	AREA OUTDOOR AIRFLOW RATE IN BREATHING ZONE, $R_a$ CFM/FT <sup>2 a</sup>	DEFAULT OCCUPANT DENSITY #/1000 FT <sup>2 a</sup>	EXHAUST AIRFLOW RATE CFM/FT <sup>2 a</sup>
<b>Offices</b>				
Conference rooms	5	0.06	50	—
Office spaces	5	0.06	5	—
Reception areas	5	0.06	30	—
Telephone/data entry	5	0.06	60	—
Main entry lobbies	5	0.06	10	—
<b>Private dwellings, single and multiple</b>				
Garages, common for multiple units <sup>b</sup>	—	—	—	0.75
Garages, separate for each dwelling <sup>b</sup>	—	—	—	100 cfm per car
Kitchens <sup>b</sup>	—	—	—	25/100 <sup>f</sup>
[W] Living areas <sup>(c)</sup>	((0.35 ACH but not less than 15 cfm/person)) See Tables 403.8.5.1 and 403.8.5.2	—	Based upon number of bedrooms. First bedroom, 2; each additional bedroom, 1	—
[W] Toilet rooms ((and)), bathrooms <sup>(g)h,k</sup> and laundry areas <sup>l</sup>	—	—	—	20/50 <sup>f</sup>
<b>Public spaces</b>				
Corridors	—	0.06	—	—
Elevator car	—	—	—	1.0
Elevator lobbies in garages <sup>l</sup>	—	1.0	—	—
Shower room (per shower head) <sup>(g)h,k</sup>	—	—	—	50/20 <sup>f</sup>
((Smoking lounges <sup>b</sup> ))	((60))	((—))	((70))	((—))
Toilet rooms – public <sup>(g)h,k</sup>	—	—	—	50/70 <sup>e</sup>
Places of religious worship	5	0.06	120	—
Courtrooms	5	0.06	70	—
Legislative chambers	5	0.06	50	—
Libraries	5	0.12	10	—
Museums (children's)	7.5	0.12	40	—
Museums/galleries	7.5	0.06	40	—
<b>Retail stores, sales floors and showroom floors</b>				
Sales (except as below)	7.5	0.12	15	—
Dressing rooms	—	—	—	0.25
Mall common areas	7.5	0.06	40	—
Shipping and receiving	—	0.12	—	—
((Smoking lounges <sup>b</sup> )) <sup>i</sup>	((60))	((—))	((70))	((—))
Storage rooms	—	0.12	—	—
Warehouses (see storage)	—	—	—	—
<b>Specialty shops</b>				
Automotive motor-fuel dispensing stations <sup>b</sup>	—	—	—	1.5
Barber	((7.5)) 20	0.06	25	0.5
Beauty and nail salons <sup>b,h</sup>	20	0.12	25	0.6
Embalming room <sup>b</sup>	—	—	—	2.0
Pet shops (animal areas) <sup>b</sup>	7.5	0.18	10	0.9
Supermarkets	7.5	0.06	8	—
<b>Sports and amusement</b>				
Disco/dance floors	20	0.06	100	—
Bowling alleys (seating areas)	10	0.12	40	—
Game arcades	7.5	0.18	20	—
Ice arenas without combustion engines	—	0.30	—	0.5
Gym, stadium, arena (play area)	—	0.30	—	—
Spectator areas	7.5	0.06	150	—
Swimming pools (pool and deck area)	—	0.48	—	—
Health club/aerobics room	20	0.06	40	—
Health club/weight room	20	0.06	10	—

(continued)



**TABLE 403.3—continued  
MINIMUM VENTILATION RATES**

OCCUPANCY CLASSIFICATION	PEOPLE OUTDOOR AIRFLOW RATE IN BREATHING ZONE, $R_p$ CFM/PERSON	AREA OUTDOOR AIRFLOW RATE IN BREATHING ZONE, $R_a$ CFM/FT <sup>2 a</sup>	DEFAULT OCCUPANT DENSITY #/1000 FT <sup>2 a</sup>	EXHAUST AIRFLOW RATE CFM/FT <sup>2 a</sup>
<b>Storage</b>				
Repair garages <sup>d</sup> (, enclosed parking garages <sup>b,d</sup> )	—	—	—	0.75
Enclosed loading docks <sup>d</sup>	—	—	—	1.5
Enclosed parking garages <sup>b,d</sup>	—	—	—	0.75
Ticket booths (within enclosed parking garage) <sup>l</sup>	60	—	—	—
Warehouses	—	0.06	—	—
Non-retail storage spaces (>100 ft <sup>2</sup> ) <sup>k</sup>	—	0.06	—	—
<b>Theaters</b>				
Auditoriums (see education)	—	—	—	—
Lobbies	5	0.06	150	—
Stages, studios	10	0.06	70	—
Ticket booths	5	0.06	60	—
<b>Transportation</b>				
Platforms	7.5	0.06	100	—
Transportation waiting	7.5	0.06	100	—
<b>Workrooms</b>				
Bank vaults/safe deposit	5	0.06	5	—
Darkrooms	—	—	—	1.0
Copy, printing rooms	5	0.06	4	0.5
Meat processing <sup>c</sup>	15	—	10	—
Pharmacy (prep. area)	5	0.18	10	—
Photo studios	5	0.12	10	—
Computer (without printing)	5	0.06	4	—

For SI: 1 cubic foot per minute = 0.0004719 m<sup>3</sup>/s, 1 ton = 908 kg, 1 cubic foot per minute per square foot = 0.00508 m<sup>3</sup>/(s · m<sup>2</sup>),  
C = [(F) - 32]/1.8, 1 square foot = 0.0929 m<sup>2</sup>.

- a. Based upon net occupiable floor area.
- b. Mechanical exhaust required and the recirculation of air from such spaces is prohibited (see Section 403.2.1, Item 3).
- c. Spaces unheated or maintained below 50°F are not covered by these requirements unless the occupancy is continuous.
- d. Ventilation systems ((in enclosed parking garages)) shall comply with Section 404.
- e. Rates are per water closet or urinal. The higher rate shall be provided where periods of heavy use are expected to occur, such as toilets in theaters, schools and sports facilities. The lower rate shall be permitted where periods of heavy use are not expected.
- f. Rates are per room unless otherwise indicated. The higher rate shall be provided where the exhaust system is designed to operate intermittently. The lower rate shall be permitted where the exhaust system is designed to operate continuously during normal hours of use.
- [W] g. ~~Reserved. ((Mechanical exhaust is required and recirculation is prohibited except that recirculation shall be permitted where the resulting supply airstream consists of not more than 10 percent air recirculated from these spaces (see Section 403.2.1, Items 2 and 4).))~~
- h. For nail salons, the required exhaust shall include ventilation tables or other systems that capture the contaminants and odors at their source and are capable of exhausting a minimum of 50 cfm per station.
- i. RCW 70.160.030 states: "No person may smoke in a public place or in any place of employment."
- [W] j. A laundry area contained within a kitchen or bathroom is not required to have *source specific* exhaust. When door(s) separate the area from the room, the door(s) shall be louvered.
- k. Transfer air permitted in accordance with Section 403.2.2.
- l. This space shall be maintained at a positive pressure. See Section 404.3.

**[W] 403.3 Outdoor airflow rate.** Ventilation systems shall be designed to have the capacity to supply the minimum outdoor airflow rate determined in accordance with this section. The occupant load utilized for design of the ventilation system shall not be less than the number determined from the estimated maximum occupant load rate indicated in Table 403.3. Ventilation rates for occupancies not represented in Table 403.3 shall be those for a listed *occupancy* classification that is most similar in terms of occupant density, activities and building construction; or shall be determined by an *approved* engineering analysis. The ventilation system shall be designed to supply the required rate of *ventilation air* continuously during the period the building is occupied, except as otherwise stated in other provisions of the code.

With the exception of smoking lounges, the ventilation rates in Table 403.3 are based on the absence of smoking in occupiable spaces. Where smoking is anticipated in a space other than a smoking lounge, the ventilation system serving the space shall be designed to provide ventilation over and above that required by Table 403.3 in accordance with accepted engineering practice.

**Exception:** ~~((The occupant load is not required to be determined based on the estimated maximum occupant load rate indicated in Table 403.3 where approved statistical data document the accuracy of an alternate anticipated occupant density.))~~ Where occupancy density is known and documented in the plans, the outdoor air rate may be based on the design occupant density. Under no circumstance shall the occupancies used result in outdoor air less than one-half that resulting from application of Table 403.3 estimated maximum occupancy rates.

**403.3.1 Zone outdoor airflow.** The minimum outdoor airflow required to be supplied to each zone shall be determined as a function of *occupancy* classification and space air distribution effectiveness in accordance with Sections 403.3.1.1 through 403.3.1.3.

**403.3.1.1 Breathing zone outdoor airflow.** The outdoor airflow rate required in the *breathing zone* ( $V_{bz}$ ) of the *occupiable space* or spaces in a zone shall be determined in accordance with Equation 4-1.

$$V_{bz} = R_p P_z + R_a A_z \quad \text{(Equation 4-1)}$$

where:

$A_z$  = Zone floor area: the *net occupiable floor area* of the space or spaces in the zone.

$P_z$  = Zone population: the number of people in the space or spaces in the zone.

$R_p$  = People outdoor air rate: the outdoor airflow rate required per person from Table 403.3.

$R_a$  = Area outdoor air rate: the outdoor airflow rate required per unit area from Table 403.3.

**403.3.1.2 Zone air distribution effectiveness.** The zone air distribution effectiveness ( $E_z$ ) shall be determined using Table 403.3.1.2.

**TABLE 403.3.1.2**  
**ZONE AIR DISTRIBUTION EFFECTIVENESS<sup>a,b,c,d,e</sup>**

Air Distribution Configuration	$E_z$
Ceiling or floor supply of cool air	1.0 <sup>f</sup>
Ceiling or floor supply of warm air and floor return	1.0
Ceiling supply of warm air and ceiling return	0.8 <sup>g</sup>
Floor supply of warm air and ceiling return	0.7
Makeup air drawn in on the opposite side of the room from the exhaust and/or return	0.8
Makeup air drawn in near to the exhaust and/or return location	0.5

For SI: 1 foot = 304.8 mm, 1 foot per minute = 0.00506 m/s,  
 $^{\circ}\text{C} = [(^{\circ}\text{F}) - 32]/1.8$ .

- a. "Cool air" is air cooler than space temperature.
- b. "Warm air" is air warmer than space temperature.
- c. "Ceiling" includes any point above the breathing zone.
- d. "Floor" includes any point below the breathing zone.
- e. "Makeup air" is air supplied or transferred to a zone to replace air removed from the zone by exhaust or return systems.
- f. Zone air distribution effectiveness of 1.2 shall be permitted for systems with a floor supply of cool air and ceiling return, provided that low-velocity displacement ventilation achieves unidirectional flow and thermal stratification.
- g. Zone air distribution effectiveness of 1.0 shall be permitted for systems with a ceiling supply of warm air, provided that supply air temperature is less than 15°F above space temperature and provided that the 150 foot-per-minute supply air jet reaches to within 4½ feet of floor level.

**403.3.1.3 Zone outdoor airflow.** The zone outdoor airflow rate ( $V_{oz}$ ), shall be determined in accordance with Equation 4-2.

$$V_{oz} = \frac{V_{bz}}{E_z} \quad \text{(Equation 4-2)}$$

**403.3.2 System outdoor airflow.** The outdoor air required to be supplied by each ventilation system shall be determined in accordance with Sections 403.3.2.1 through 403.3.2.3 as a function of system type and zone outdoor airflow rates.

**403.3.2.1 Single zone systems.** Where one air handler supplies a mixture of outdoor air and recirculated return air to only one zone, the system outdoor air intake flow rate ( $V_{ot}$ ) shall be determined in accordance with Equation 4-3.

$$V_{ot} = V_{oz} \quad \text{(Equation 4-3)}$$

**403.3.2.2 100-percent outdoor air systems.** Where one air handler supplies only outdoor air to one or more zones, the system outdoor air intake flow rate ( $V_{ot}$ ) shall be determined using Equation 4-4.

$$V_{ot} = \sum_{\text{all zones}} V_{oz} \quad \text{(Equation 4-4)}$$

**403.3.2.3 Multiple zone recirculating systems.** Where one air handler supplies a mixture of outdoor air and recirculated return air to more than one zone, the system outdoor air intake flow rate ( $V_{ot}$ ) shall be determined in accordance with Sections 403.3.2.3.1 through 403.3.2.3.4.

**403.3.2.3.1 Primary outdoor air fraction.** The primary outdoor air fraction ( $Z_p$ ) shall be determined for each zone in accordance with Equation 4-5.

$$Z_p = \frac{V_{oz}}{V_{pz}} \quad \text{(Equation 4-5)}$$

where:

$V_{pz}$  = Primary airflow: The airflow rate supplied to the zone from the air-handling unit at which the outdoor air intake is located. It includes outdoor intake air and recirculated air from that air-handling unit but does not include air transferred or air recirculated to the zone by other means. For design purposes,  $V_{pz}$  shall be the zone design primary airflow rate, except for zones with variable air volume supply and  $V_{pz}$  shall be the lowest expected primary airflow rate to the zone when it is fully occupied.

**403.3.2.3.2 System ventilation efficiency.** The system ventilation efficiency ( $E_v$ ) shall be determined using Table 403.3.2.3.2 or Appendix A of ASHRAE 62.1.

**TABLE 403.3.2.3.2  
SYSTEM VENTILATION EFFICIENCY<sup>a,b</sup>**

Max ( $Z_p$ )	$E_v$
≤ 0.15	1
≤ 0.25	0.9
≤ 0.35	0.8
≤ 0.45	0.7
≤ 0.55	0.6
≤ 0.65	0.5
≤ 0.75	0.4
> 0.75	0.3

- a. Max ( $Z_p$ ) is the largest value of  $Z_p$  calculated using Equation 4-5 among all the zones served by the system.
- b. Interpolating between table values shall be permitted.

**403.3.2.3.3 Uncorrected outdoor air intake.** The uncorrected outdoor air intake flow rate ( $V_{ou}$ ) shall be determined in accordance with Equation 4-6.

$$V_{ou} = D \sum_{all\ zones} R_p P_z + \sum_{all\ zones} R_c A_z \quad \text{(Equation 4-6)}$$

where:

$D$  = Occupant diversity: the ratio of the system population to the sum of the zone populations, determined in accordance with Equation 4-7.

$$D = \frac{P_s}{\sum_{all\ zones} P_z} \quad \text{(Equation 4-7)}$$

where:

$P_s$  = System population: The total number of occupants in the area served by the system. For design purposes,  $P_s$  shall be the maximum number of occupants expected to be concurrently in all zones served by the system.

**403.3.2.3.4 Outdoor air intake flow rate.** The outdoor air intake flow rate ( $V_{oi}$ ) shall be determined in accordance with Equation 4-8.

$$V_{oi} = \frac{V_{ou}}{E_v} \quad \text{(Equation 4-8)}$$

**403.4 Exhaust ventilation.** Exhaust airflow rate shall be provided in accordance with the requirements in Table 403.3. Exhaust *makeup air* shall be permitted to be any combination of outdoor air, recirculated air and transfer air, except as limited in accordance with Section 403.2.

**403.5 System operation.** The minimum flow rate of outdoor air that the ventilation system must be capable of supplying during its operation shall be permitted to be based on the rate per person indicated in Table 403.3 and the actual number of occupants present.

**403.6 Variable air volume system control.** Variable air volume air distribution systems, other than those designed to supply only 100-percent outdoor air, shall be provided with controls to regulate the flow of outdoor air. Such control system shall be designed to maintain the flow rate of outdoor air at a rate of not less than that required by Section 403.3 over the entire range of supply air operating rates. Calculations and a description of controls operation shall be submitted with the permit drawings.

**403.7 Balancing.** The *ventilation air* distribution system shall be provided with means to adjust the system to achieve at least the minimum ventilation airflow rate as required by Sections 403.3 and 403.4. Ventilation systems shall be balanced by an *approved* method. Such balancing shall verify that the ventilation system is capable of supplying and exhausting the airflow rates required by Sections 403.3 and 403.4.

**[W] 403.8 Ventilation systems for Group R occupancies.** Each dwelling unit or guest room shall be equipped with source specific and whole house ventilation systems and shall comply with Sections 403.8.1 through 403.8.11. All public corridors and other than Group R occupied spaces that support the Group R occupancy shall meet the ventilation requirements of Section 402 or Sections 403.1 to 403.7.

**403.8.1 Minimum ventilation performance.** Ventilation systems shall be designed and installed to satisfy the ventilation requirements of Table 403.3 or Table 403.8.1.

**TABLE 403.8.1  
VENTILATION RATES FOR ALL  
GROUP R PRIVATE DWELLINGS, SINGLE AND MULTIPLE  
(Continuously Operating Systems)**

FLOOR AREA (ft <sup>2</sup> )	BEDROOMS <sup>1</sup>				
	0-1	2-3	4-5	6-7	≥7
≤1500	30	45	60	75	90
1501 - 3000	45	60	75	90	105
3001 - 4500	60	75	90	105	120
4501 - 6000	75	90	105	120	135
6001 - 7500	90	105	120	135	150
≥7500	105	120	135	150	165

1. Ventilation rates in table are minimum outdoor airflow rates measured in cfm.

**403.8.2 Control and operation.**

1. Location of controls. Controls for all ventilation systems shall be readily accessible by the occupant.
2. Instructions. Operating instructions for *whole house ventilation* systems shall be provided to the occupant by the installer of the system.
3. Source specific ventilation systems. *Source specific ventilation systems* shall be controlled by manual switches, dehumidistats, timers, or other *approved means*.
4. Continuous whole house ventilation systems. Continuous *whole house ventilation* systems shall operate continuously. Exhaust fans, forced-air system fans, or supply fans shall be equipped with “fan on” as override controls. Controls shall be capable of operating the ventilation system without energizing other energy-consuming appliances. A label shall be affixed to the controls that reads “Whole House Ventilation (see operating instructions).”
5. Intermittent whole house ventilation systems. Intermittent *whole house ventilation* systems shall comply with the following:
  - 5.1. They shall be capable of operating intermittently and continuously.
  - 5.2. They shall have controls capable of operating the exhaust fans, forced-air system fans, or supply fans without energizing other energy-consuming appliances.
  - 5.3. The system shall be designed so that it can operate automatically based on the type of control timer installed.
  - 5.4. The intermittent mechanical ventilation system shall operate at least 1 hour out of every 12.
  - 5.5. The system shall have a manual control and automatic control, such as a 24-hour clock timer.
  - 5.6. At the time of final inspection, the automatic control shall be set to operate the whole house fan according to the schedule used to calculate the whole house fan sizing.
  - 5.7. A label shall be affixed to the control that reads “Whole House Ventilation (see operating instructions).”

**403.8.3 Outdoor air intake locations.** Outdoor air intakes shall be classified as either operable openings or mechanical air intakes. The intake locations for operable openings and mechanical air intakes shall comply with the following:

1. Openings for mechanical air intakes shall comply with Section 401.4. Operable openings shall comply with Section 401.4, Items 2, 4 and 5 only.

2. Intake openings shall not be located closer than 10 feet from an appliance vent outlet unless such vent outlet is 3 feet above the outdoor air inlet. The vent shall be permitted to be closer if specifically allowed by Chapter 8 or by the *International Fuel Gas Code*.
3. Intake openings shall be located where they will not pick up objectionable odors, fumes, or flammable vapors.
4. Intake openings shall be located where they will not take air from a hazardous or unsanitary location.
5. Intake openings shall be located where they will not take air from a room or space having a fuel-burning appliance.
6. Intake openings shall not be located closer than 10 feet from a vent opening of a plumbing drainage system unless the vent opening is at least 3 feet above the air inlet.
7. Intake openings shall not be located where they will take air from an attic, crawl space, or garage.

**403.8.4 Source specific ventilation requirements.** *Source specific exhaust ventilation* systems shall exhaust at least the volume of air required for exhaust in Table 403.3. Exhaust shall be provided in each kitchen, bathroom, water closet, laundry area, indoor swimming pool, spa, and other rooms where water vapor or cooking odor is produced. *Source specific ventilation* ducts shall terminate outdoors. Outlets shall comply with Section 501.2.1.

**403.8.4.1 Source specific exhaust systems.** Exhaust systems shall be designed and installed to meet all of the criteria below:

1. Source specific exhaust shall be discharged outdoors.
2. Exhaust outlets shall comply with Section 501.2.
3. Pressure equalization shall comply with Section 501.3.
4. Exhaust ducts in systems which are designed to operate intermittently shall be equipped with backdraft dampers.
5. All exhaust ducts in unconditioned spaces shall be insulated to a minimum of R-4.
6. Terminal outlet elements shall have at least the equivalent net free area of the ductwork.
7. Terminal outlet elements shall be screened or otherwise protected as required by Section 501.2.2.
8. Exhaust fans in separate dwelling units or guest rooms shall not share common exhaust ducts unless the system is engineered for this operation.
9. Where permitted by Chapter 5, multiple source specific exhaust ducts may be combined. If more than one of the exhaust fans in a dwelling unit or guest room shares a common exhaust duct then



each exhaust fan shall be equipped with a backdraft damper to prevent the recirculation of exhaust air from one room to another room via the exhaust ducting system.

**403.8.4.2 Source specific exhaust fans.** Exhaust fan construction and sizing shall meet the following criteria.

1. Exhaust fans shall be tested and rated in accordance with the airflow and sound rating procedures of the Home Ventilating Institute: HVI 915, HVI Loudness Testing and Rating Procedure, HVI 916, HVI Airflow Test Procedure, and HVI 920, HVI Product Performance Certification Procedure.

**Exception:** Range hoods and downdraft exhaust fans used for source specific exhaust for kitchens are not required to be rated.

2. Fan airflow rating and duct system shall be designed and installed to deliver at least the exhaust airflow required by Table 403.3. The airflows required refer to the delivered airflow of the system as installed and tested using a flow hood, flow grid, or other airflow measurement device.

**Exceptions:**

1. An exhaust airflow rating at a pressure of 0.25 in. w.g. may be used, provided the duct sizing meets the prescriptive requirements of Table 403.8.4.2.
2. Where a range hood or downdraft exhaust fan is used to satisfy the source specific ventilation requirements for kitchens, the range hood or downdraft exhaust shall not be less than 100 cfm at 0.10 in. w.g.

**TABLE 403.8.4.2  
PRESCRIPTIVE EXHAUST DUCT SIZING**

FAN TESTED CFM AT 0.25 INCHES W.G.	MINIMUM FLEX DIAMETER	MAXIMUM LENGTH IN FEET	MINIMUM SMOOTH DIAMETER	MAXIMUM LENGTH IN FEET	MAXIMUM ELBOWS <sup>1</sup>
50	4 inches	25	4 inches	70	3
50	5 inches	90	5 inches	100	3
50	6 inches	No Limit	6 inches	No Limit	3
80	4 inches <sup>2</sup>	NA	4 inches	20	3
80	5 inches	15	5 inches	100	3
80	6 inches	90	6 inches	No Limit	3
100	5 inches <sup>2</sup>	NA	5 inches	50	3
100	6 inches	45	6 inches	No Limit	3
125	6 inches	15	6 inches	No Limit	3
125	7 inches	70	7 inches	No Limit	3

For SI: 1 inch = 25.4 mm, 1 foot = 304.8 mm.

1. For each additional elbow, subtract 10 feet from length.
2. Flex ducts of this diameter are not permitted with fans of this size.

**403.8.5 Whole house ventilation requirements.** All whole house ventilation systems shall comply with Sections

403.8.5.1 and 403.8.5.2. Each dwelling unit or guest room shall be equipped with one of the following four types of mechanical whole house ventilation systems: A system using exhaust fans (see Section 403.8.6); a system integrated with forced-air systems (see Section 403.8.7); a system using supply fans (see Section 403.8.8); or a heat or energy recovery ventilation system (see Section 403.8.9).

**403.8.5.1 Outdoor air.** Outdoor air shall be distributed to each habitable space. Where outdoor air supply intakes are separated from exhaust vents by doors, means shall be provided to ensure airflow to all separated habitable spaces by installing distribution ducts, installed grilles, transoms, doors undercut to a minimum of 1/2-inch above the surface of the finish floor covering, or other similar means where permitted by the International Building Code.

The mechanical system shall operate continuously to supply at least the volume of outdoor air required in Table 403.3 or Table 403.8.1.

**Exception:** Intermittently operating ventilation systems: The mechanical system shall have controls for intermittent operation per Section 403.8.2 and shall supply at least the volume of outdoor air required for intermittent operation based on the combination of its delivered capacity (from Table 403.3 or Table 403.8.1), its ventilation effectiveness (from Table 403.8.5.1) and its fractional operation time (used in Table 403.8.5.1) using the formula:

$$Q_f \equiv Q_r / (\epsilon f)$$

where:

$Q_f$   $\equiv$  outdoor airflow rate

$Q_r$   $\equiv$  ventilation air requirement (from Table 403.3 or 403.8.1)

$\epsilon$   $\equiv$  ventilation effectiveness (from Table 403.8.5.1)

$f$   $\equiv$  fractional operation time is the on-time for one cycle divided by the cycle time (used in Table 403.8.5.1)

cycle time = on-time plus off-time

The intermittent mechanical ventilation system shall operate at least 1 hour out of every 12. A minimum of two cycles are required per day.

**TABLE 403.8.5.1  
VENTILATION EFFECTIVENESS FOR INTERMITTENT FANS**

FRACTIONAL OPERATION TIME, $f$	VENTILATION EFFECTIVENESS, $\epsilon^a$
$f \leq 35\%$	0.33
$35\% \leq f < 60\%$	0.5
$60\% \leq f < 80\%$	0.75
$80\% \leq f$	1

a. If the cycle time is three hours or less and the fractional operation time ( $f$ ) is 50% or greater, then 1.0 can be used as the ventilation effectiveness.

**Intermittent Mechanical Ventilation Airflow Calculation Examples:**

**Example #1:** Calculating fan airflow based on Table 403.8.5.1 values:

An intermittently operated *whole house* fan that serves a *dwelling unit* with a continuous ventilation requirement of 30 cfm (from Table 403.3 or 403.8.1) is controlled to operate with an on-time of 3 hours and off-time of 9 hours throughout the day.

The minimum intermittent ventilation rate is calculated as follows:

$$Q_r = 30 \text{ cfm (from Table 403.3 or 403.8.1)}$$

$$\text{Cycle time} = 12 \text{ hours}$$

$$\text{Fractional Operation Time } (f) = 3/(3+9) = 25\%$$

(where: *f* is equal to the on-time divided by the cycle time)

(where: cycle time is equal to the on-time plus the off-time)

$$\text{Ventilation Effectiveness } (\epsilon) = 0.33 \text{ (from Table 403.8.5.1)}$$

$$Q_f = Q_r / (\epsilon f) = 30 \text{ cfm} / (0.33) / (25\%) = 364 \text{ cfm}$$

**Example #2:** Calculating fan airflow based on footnote a to Table 403.8.5.1:

An intermittently operated *whole house* fan that serves a *dwelling unit* with a continuous ventilation requirement of 30 cfm (from Table 403.3 or 403.8.1) is controlled to operate with an on-time of 2 hours and off-time of 1 hour throughout the day.

The minimum intermittent ventilation rate is calculated as follows:

$$Q_r = 30 \text{ cfm (from Table 403.3 or 403.8.1)}$$

$$\text{Cycle time} = 3 \text{ hours}$$

$$\text{Fractional Operation Time } (f) = 2/(2+1) = 66\% \text{ (this is greater than 50\%)}$$

(where: *f* is equal to the on-time divided by the cycle time)

(where: cycle time is equal to the on-time plus the off-time)

$$\text{Ventilation Effectiveness } (\epsilon) = 1.0 \text{ (per footnote a of Table 403.8.5.1)}$$

$$Q_f = Q_r / (\epsilon f) = 30 \text{ cfm} / (1.0) / (66\%) = 45 \text{ cfm}$$

See ASHRAE 62.2-2007 Appendix B for further explanation and examples.

**403.8.5.2 Whole house supply system general requirements.** Whole house ventilation systems integrated with a forced-air system, systems using supply

fans and systems using a heat or energy recovery ventilation system shall comply with the following:

1. Outdoor air louvers shall be adequately sized for the required airflow and shall comply with Section 401.5. Outdoor air intake locations shall comply with mechanical air intakes requirements of Section 403.8.3.
2. Outdoor air ducts for ventilation integrated with forced air systems and exhaust ducts for heat or energy recovery systems shall be provided with a means for balancing the system to the required airflow via balance dampers or other devices.
3. Outdoor air ducts, for ventilation integrated with forced air systems shall be provided with motorized dampers.

**Exceptions:**

1. Outdoor air ducts at heat or energy recovery ventilation systems are not required to have motorized dampers.
2. Outdoor air ducts at continuous ventilation systems are not required to have motorized dampers.
4. Outdoor air ducts in the conditioned space shall be insulated to a minimum of R-4. In heat or energy recovery ventilation systems, ducts upstream of the heat exchanger shall also be insulated to at least R-4.

Note: See *Seattle Energy Code* for additional insulation requirements.

5. All outdoor air ducts shall be designed and installed to deliver at least the outdoor airflow required by Section 403.8.5.1. The airflows required refer to the delivered airflow of the system as installed and tested using a flow hood, flow grid, or other airflow measurement device.

**Exception:** The outdoor air duct for supply fan systems and heat or energy recovery systems may be prescriptively sized per Table 403.8.5.2 for dedicated outdoor air ducts upstream of the supply fan. Supply fans shall have the capacity to provide the amount of outdoor air required by Section 403.8.5.1 at 0.40 inch w.g. as per HVI 916 (April 1995). When prescriptively sized the system shall be tested and balanced using a flow hood, flow-grid, or other airflow measurement device.

6. *Whole house ventilation* controls for intermittent operation shall be provided at both the forced-air fan and the motorized damper.
7. *Whole house ventilation* controls for continuous operation shall be provided at the forced-air fan.

**TABLE 403.8.5.2  
PRESCRIPTIVE SUPPLY FAN DUCT SIZING**

SUPPLY FAN TESTED CFM AT 0.40 inch w.g.		
Specified Volume from Table 408.1	Minimum Smooth Duct Diameter	Minimum Flexible Duct Diameter
50 - 90 cfm	4 inch	5 inch
90 - 150 cfm	5 inch	6 inch
150 - 250 cfm	6 inch	7 inch
250 - 400 cfm	7 inch	8 inch

For SI: 1 inch = 25.4, 1 cubic foot per minute = 0.0004719 m<sup>3</sup>/s.

**403.8.6 Whole house ventilation with exhaust fan systems.** This section establishes minimum requirements for mechanical *whole house ventilation* systems using exhaust fans.

**403.8.6.1 Outdoor air.** Exhaust fan only ventilation systems shall provide outdoor air through one of the following methods:

1. Outdoor air may be drawn through air inlets installed in exterior walls or windows. For interior spaces without openings to the outdoor, air inlets cannot be used unless a transfer fan is provided in compliance with Section 403.8.6.1, Item 3. The air inlets shall comply with all of the following:
  - 1.1. Inlets shall have controllable, secure openings and shall be designed to not compromise the thermal properties of the building envelope.
  - 1.2. Inlets shall be readily accessible to occupants.
  - 1.3. Inlets shall be screened or otherwise protected from entry by insects, leaves, or other material.
  - 1.4. Inlets shall provide not less than 4 square inches of net free area of opening for each 10 cfm of outdoor air required in Table 403.3 or Table 403.8.1.
  - 1.5. Any inlet or combination of inlets which provide 10 cfm at 10 pascals as determined by the Home Ventilation Institute Air Flow Test Standard (HVI 901 (November 1996)) are deemed equivalent to 4 square inches of net free area.
  - 1.6. Each occupiable space shall have a minimum of one air inlet that has a minimum of 4 square inches of net free area.
2. In *high-rise buildings*, outdoor air may be drawn in through operable windows, doors, louvers or other operable openings to the outdoors. Exterior spaces shall have a minimum openable area of 4 percent of the total floor area being ventilated. Doors exiting to a corridor, court or public way shall not be used to provide outdoor air. For interior spaces without openings to the outdoors, the opening to the adjoining room shall be unobstructed and shall have an area of not less than 8 percent of the floor area of the interior room or space, but not less than

25 square feet. The operable openings shall comply with the following:

- 2.1. Openings shall be controllable, securable, and shall be designed to not compromise the thermal properties of the building envelope.
- 2.2. Openings shall be readily accessible to occupants.

3. For interior spaces, in buildings with air inlets in accordance with Section 403.8.6.1, Item 1 or in *high-rise buildings* without operable openings in accordance with Section 403.8.6.1, Item 2 shall have a *whole house* transfer fan sized to provide a minimum of the ventilation rate required per Section 403.8.5.1. The transfer fan shall circulate air between the interior room or space and the adjacent habitable space. The transfer fan may operate continuously or intermittently using controls per Section 403.8.2.

**403.8.6.2 Outside air intake locations.** All outside air intake opening types described in Section 403.8.6.1 shall be classified as operable openings and shall not be classified as mechanical air intakes. The intake locations shall comply with Section 403.8.3.

**403.8.6.3 Whole house exhaust system.** *Whole house* exhaust systems shall be designed and installed to meet all of the applicable criteria below:

1. *Whole house ventilation* exhaust shall be discharged outdoors.
2. Exhaust outlets shall comply with Section 501.2.
3. Exhaust ducts in systems which are designed to operate intermittently shall be equipped with backdraft dampers.
4. All exhaust ducts in unconditioned spaces shall be insulated to a minimum of R-4.5. Terminal outlet elements shall have at least the equivalent net free area of the ductwork.
5. Terminal outlet elements shall be screened or otherwise protected as required by Section 501.2.2.
6. One of the required *source specific* exhaust fans for the laundry room or bathroom may be designated as the *whole house* exhaust fan.
7. Exhaust fans in separate *dwelling units* or guest rooms shall not share common exhaust ducts unless the system is engineered for this operation.
8. Where permitted by Chapter 5, *whole house* exhaust ducts may be combined with other *source specific* exhaust ducts. If more than one of the exhaust fans in a *dwelling unit* or guest room shares a common exhaust duct then each exhaust fan shall be equipped with a backdraft damper to prevent the recirculation of *exhaust air* from one room to another room via the exhaust ducting system.

**403.8.6.4 Whole house exhaust and transfer fans.** Exhaust fan construction and sizing shall meet the following criteria.

1. Exhaust and transfer fans shall be tested and rated in accordance with the airflow and sound rating procedures of the Home Ventilating Institute (HVI 915, HVI Loudness Testing and Rating Procedure, HVI 916, HVI Airflow Test Procedure, and HVI 920, HVI Product Performance Certification Procedure).
2. Installation of system or equipment shall be carried out in accordance with manufacturers' design requirements and installation instructions.
3. Fan airflow rating and duct systems shall be designed and installed to deliver at least the outdoor airflow required by Table 403.3 or Table 403.8.1. The airflows required refer to the delivered airflow of the system as installed and tested using a flow hood, flow grid, or other airflow measurement device.

**Exception:** An airflow rating at a pressure of 0.25 inch w.g. may be used, provided the duct sizing meets the prescriptive requirements of Table 403.8.5.2.

**403.8.6.5 Fan noise.** Whole house exhaust and transfer fans located 4 feet or less from the interior grille shall have a sone rating of 1.0 or less measured at 0.10 inch water gauge. Manufacturer's noise ratings shall be determined as per HVI 915. Remotely mounted fans shall be acoustically isolated from the structural elements of the building and from attached ductwork using insulated flexible duct or other approved material.

**403.8.7 Whole house ventilation integrated with forced-air systems.** This section establishes minimum requirements for mechanical whole house ventilation systems using forced-air system fans.

**403.8.7.1 Outdoor air.** Forced-air system fan ventilation systems shall provide outdoor air through one of the following methods:

1. A dedicated outdoor air louver and outdoor air duct for each dwelling unit or guest room shall supply outdoor air to the return side of the forced-air system fan; or
2. A central outdoor air delivery system that supplies multiple dwelling units or guest rooms shall supply outdoor air to the return side of the forced air system fan.

**403.8.7.2 Whole house forced-air system.** Where outdoor air is provided to each habitable dwelling unit or guest room by a forced air system, the outdoor air duct shall be connected to the return air stream at a point within 4 feet upstream of the forced-air unit. It shall not be connected directly to the forced-air unit cabinet in order to prevent thermal shock to the heat exchanger. At a minimum, filtration of the outdoor air shall be provided at the forced-air unit. The filter shall be accessible for

regular maintenance and replacement. The filter shall have a Minimum Efficiency Rating Value (MERV) of at least 6.

**403.8.8 Whole house ventilation with supply fan systems.** This section establishes minimum requirements for mechanical whole house ventilation systems using supply fan systems.

**403.8.8.1 Outdoor air.** Supply fan ventilation systems shall provide outdoor air through one of the following methods:

1. A dedicated outdoor air louver and outdoor air duct for each dwelling unit or guest room shall supply outdoor air to a supply fan; or
2. A central outdoor air supply fan system shall distribute unconditioned or conditioned air to multiple dwelling units or guest rooms.

**403.8.8.2 Whole house supply system.** Where outdoor air is provided to each habitable dwelling unit or guest room by supply fan systems the outdoor air shall be filtered.

The system filter may be located at the intake device or in line with the fan. The filter shall be accessible for regular maintenance and replacement. The filter shall have a Minimum Efficiency Rating Value (MERV) of at least 6.

**403.8.9 Whole house ventilation with heat recovery or energy recovery ventilation systems.** This section establishes minimum requirements for mechanical whole house ventilation systems using heat recovery or energy recovery ventilation systems.

**403.8.9.1 Outdoor air.** Heat recovery or energy recovery ventilation systems shall provide outdoor air through one of the following methods:

1. A dedicated outdoor air louver and outdoor air duct for each dwelling unit or guest room shall supply outdoor air to the heat recovery or energy recovery ventilator; or
2. A central outdoor air heat recovery or energy recovery unit shall distribute conditioned air to multiple dwelling units or guest rooms.

**403.8.9.2 Whole house heat recovery ventilator system.** Where outdoor air is provided to each habitable dwelling unit or guest room by heat recovery or energy recovery ventilator, the outdoor air shall be filtered. The filter shall be located on the upstream side of the heat exchanger in both the intake and exhaust airstreams with a Minimum Efficiency Rating Value (MERV) of at least 6. The system filter may be located at the intake device or in line with the fan. The filter shall be accessible for regular maintenance and replacement.

**403.8.10 Source specific exhaust ventilation and whole house ventilation alternate performance or design requirements.** In lieu of complying with Sections 403.8.4 or 403.8.5, compliance with the section shall be demonstrated through engineering calculations by an engineer licensed to practice in the state of Washington or by perfor-



mance testing. Documentation of calculations or performance test results shall be submitted to and approved by the code official. Performance testing shall be conducted in accordance with *approved* test methods.

**403.8.11 Alternate systems.** When approved by the code official, systems designed in accordance with ASHRAE Standard 62.2-2007 shall be permitted.

**403.9 Corridors.** Air movement in corridors shall comply with Section 601 of this code and the *International Building Code*.

## SECTION 404 (ENCLOSED PARKING GARAGES) VENTILATION OF ENCLOSED MOTOR VEHICLE OCCUPANCIES

**404.1 Enclosed parking garage(s), loading dock, and motor vehicle repair garage exhaust ventilation systems.** Mechanical ventilation systems for enclosed parking garages, loading docks, and motor vehicle repair garages shall ~~((be permitted to))~~ operate ~~((intermittently))~~ continuously to provide ventilation per Section 404.2. ~~((where t))~~The system ~~((is))~~ shall be arranged to operate automatically upon detection of vehicle operation or the presence of occupants by *approved* automatic detection devices and shall be equipped with gas-sensor systems that modulate the ventilation system by staging fans or varying fan speed to maintain gas concentrations below specified maximum levels. All equipment used in sensor-controlled systems shall be designed for the specific use and installed in accordance with the manufacturer's instructions. Mechanical ventilation systems and gas sensor systems controls shall comply with Section 1412.9 of the *Washington State Energy Code with Seattle Amendments*.

**404.1.1 Ventilation makeup air.** Ventilation *makeup air* shall be mechanically supplied to levels of enclosed loading docks and parking garages more than three stories above or below the nearest garage or loading dock entrance or exit.

**404.1.2 Exhaust termination point.** Exhaust termination points shall comply with Section 501.2.1 of the *Seattle Mechanical Code*.

**404.2 Minimum ventilation.**

**404.2.1 Enclosed parking garages and motor vehicle repair garages.** In enclosed parking garages and motor vehicle repair garages ~~((A))~~ automatic operation of the system shall not reduce the ventilation airflow rate below 0.05 cfm per square foot ( $0.00025 \text{ m}^3/\text{s}\cdot\text{m}^2$ ) of the floor area and the ventilation system shall be capable of producing a ventilation airflow rate of 0.75 cfm per square foot ~~((0.0076))~~  $0.0038 \text{ m}^3/\text{s}\cdot\text{m}^2$ ) of floor area.

**Exception:** Ventilation systems located in areas with automated parking systems where the engines of the motor vehicles are not operating shall provide a continuous ventilation airflow rate of 50 cfm per parking stall. This exception does not apply to the vehicle drop off area.

**404.2.2 Enclosed loading docks.** In enclosed loading docks automatic operation of the system shall not reduce the

ventilation airflow rate below 1.0 cfm per square foot ( $0.00507 \text{ m}^3/\text{s}\cdot\text{m}^2$ ) of the floor area and the ventilation systems shall be capable of producing a ventilation airflow rate of 1.5 cfm per square foot ( $0.0076 \text{ m}^3/\text{s}\cdot\text{m}^2$ ) of floor area.

**404.3 Occupied spaces accessory to public garages and motor vehicle repair garages.** Connecting offices, waiting rooms, ticket booths, elevator lobbies and similar uses that are accessory to a public garage or motor vehicle repair garage shall be maintained at a positive pressure relative to the garage and shall be provided with ventilation in accordance with Section 403.3.

**404.4 Motor vehicle repair garages.** In buildings used for the repair of motor vehicles, each repair stall or stand shall be equipped with an exhaust capture system that connects directly to the repair engine exhaust source and prevents the escape of fumes. The exhaust system shall exhaust to the outdoor atmosphere. See Section 502.14 for additional requirements. Ventilation shall be provided for the motor vehicle repair garage in accordance with Section 404.1.

## SECTION 405 SYSTEMS CONTROL

**405.1 General.** Mechanical ventilation systems shall be provided with manual or automatic controls that will operate such systems whenever the spaces are occupied. Air-conditioning systems that supply required *ventilation air* shall be provided with controls designed to automatically maintain the required outdoor air supply rate during occupancy. Additional mechanical system control requirements are contained in the *Washington State Energy Code with Seattle Amendments*.

## SECTION 406 VENTILATION OF UNINHABITED SPACES

**406.1 General.** ~~((Uninhabited spaces, such as e))~~ Crawl spaces and attics ~~((;))~~ shall be provided with *natural ventilation* openings as required by the *International Building Code* or shall be provided with a mechanical exhaust and supply air system. The mechanical exhaust rate shall be not less than 0.02 cfm per square foot ( $0.00001 \text{ m}^3/\text{s} \cdot \text{m}^2$ ) of horizontal area and shall be automatically controlled to operate when the relative humidity in the space served exceeds 60 percent.



## CHAPTER 5

# EXHAUST SYSTEMS

### SECTION 501 GENERAL

**501.1 Scope.** This chapter shall govern the design, construction and installation of mechanical exhaust systems, including exhaust systems serving clothes dryers and cooking appliances; hazardous exhaust systems; dust, stock and refuse conveyor systems; subslab soil exhaust systems; smoke control systems; energy recovery ventilation systems and other systems specified in Section 502.

**501.2 Exhaust discharge.** The air removed by every mechanical exhaust system shall be discharged outdoors at a point where it will not cause a nuisance and not less than the distances specified in Section 501.2.1. The air shall be discharged to a location from which it cannot again be readily drawn in by a ventilating system. Air shall not be exhausted into an attic or crawl space.

#### [W] Exceptions:

1. Whole-house (~~ventilation-type attic~~) cooling fans shall be permitted to discharge into the attic space of *dwelling units* having private attics.
2. Commercial cooking recirculating systems.

**501.2.1 Location of exhaust outlets.** The termination point of exhaust outlets and ducts discharging to the outdoors shall be located with the following minimum distances:

1. For ducts conveying explosive or flammable vapors, fumes or dusts: 30 feet (9144 mm) from property lines; 10 feet (3048 mm) from operable openings into buildings; 6 feet (1829 mm) from exterior walls and roofs; 30 feet (9144 mm) from combustible walls and operable openings into buildings which are in the direction of the exhaust discharge; 10 feet (3048 mm) above adjoining grade.

**Interpretation:** Item 1 includes carpentry shop exhaust, industrial chemical lab, paint shop and sandblasting exhaust systems.

2. For other *product-conveying* outlets: 10 feet (3048 mm) from the property lines; 3 feet (914 mm) from exterior walls and roofs; 10 feet (3048 mm) from operable openings into buildings; 10 feet (3048 mm) above adjoining grade.

**Interpretation:** Item 2 includes central vacuum systems, dry cleaner, photo lab, school chemical lab and combustion engine exhaust.

3. For all *environmental air* exhaust other than enclosed parking garage and transformer vault exhaust: 3 feet (914 mm) from property lines; 3 feet (914 mm) from operable openings into buildings for all occupancies other than Group U, and 10 feet

(3048 mm) from mechanical air intakes. Such exhaust shall not be considered hazardous or noxious.

#### [W] Exceptions:

1. The separation between an air intake and exhaust outlet on a single listed package HVAC unit.
2. Exhaust from environmental air systems other than garages may be discharged into an open parking garage.
3. Except for Group I occupancies, where ventilation system design circumstances require building HVAC air to be relieved, such as during economizer operation, such air may be relieved into an open or enclosed parking garage within the same building.
4. Exhaust outlets serving structures in flood hazard areas shall be installed at or above the design flood level.
- [W] 5. For enclosed parking garage, loading dock, and motor vehicle repair garage exhaust outlets: Exhaust ventilation openings and duct terminations shall be located not less than 10 feet (3048 mm) from property lines, operable openings into buildings, and mechanical air intakes; 10 feet (3048 mm) above adjoining finished sidewalk grade. Exhaust outlets extending to the roof shall extend 3 feet (914 mm) above the roof surface.
- [W] 6. For elevator machinery rooms in enclosed or open parking garages: Exhaust outlets may discharge air directly into the parking garage.
7. For transformer vault exhaust systems: Exhaust ventilation openings and duct terminations shall be located not less than 10 feet (3048 mm) above adjoining finished sidewalk grade and not less than 10 feet (3048 mm) from fire escapes, required means of egress, combustible materials, unprotected openings, operable openings and property lines. Exhaust outlets shall be located on the exterior of the building. See *Seattle Building Code*, Section 425 for additional requirements.
- ((5))8. For specific systems see the following sections:
  - ((5-1))8.1. Clothes dryer exhaust, Section 504.4.
  - ((5-2))8.2. Kitchen hoods and other kitchen exhaust *equipment*, Sections 506.3.12, 506.4 and 506.5.
  - ((5-3))8.3. Dust stock and refuse conveying systems, Section 511.2.
  - ((5-4))8.4. Subslab soil exhaust systems, Section 512.4

## EXHAUST SYSTEMS

- ((5-5))8.5. Smoke control systems, Section 513.10.3
- ((5-6))8.6. Refrigerant discharge, Section 1105.7
- ((5-7))8.7. Machinery room discharge, Section 1105.6.1

**Interpretation:** For purposes of this section, property line includes any property line separating one lot from another lot, but does not include any property line separating a lot from a public street or alley right-of-way.

**501.2.1.1 Exhaust discharge.** Exhaust air shall not be directed onto walkways in such a manner that the users of the walkway are subjected to the exhaust air stream.

**Note:** Seattle Land Use Code (Municipal Code Title 23) requires that the venting of odors, vapors, smoke, cinders, dust, gas and fumes shall be at least 10 feet (3048 mm) above finished sidewalk grade, and directed away as much as possible from residential uses within 50 feet (15 240 mm) of the vent in some locations.

**501.2.2 Exhaust opening protection.** Exhaust openings that terminate outdoors shall be protected with corrosion-resistant screens, louvers or grilles. Openings in screens, louvers and grilles shall be sized not less than 1/4 inch (6 mm) and not larger than 1/2 inch (13 mm). Openings shall be protected against local weather conditions. Outdoor openings located in exterior walls shall meet the provisions for exterior wall opening protectives in accordance with the *International Building Code*.

**501.3 Pressure equalization.** Mechanical exhaust systems shall be sized to remove the quantity of air required by this chapter to be exhausted. The system shall operate when air is required to be exhausted. Where mechanical exhaust is required in a room or space in other than occupancies in R-3 and *dwelling units* in R-2, such space shall be maintained with a neutral or negative pressure. If a greater quantity of air is supplied by a mechanical ventilating supply system than is removed by a mechanical exhaust for a room, adequate means shall be provided for the natural or mechanical exhaust of the excess air supplied. If only a mechanical exhaust system is installed for a room or if a greater quantity of air is removed by a mechanical exhaust system than is supplied by a mechanical ventilating supply system for a room, adequate *makeup air* consisting of supply air, transfer air or outdoor air shall be provided to satisfy the deficiency. The calculated building infiltration rate shall not be used to satisfy the requirements of this section.

**501.4 Ducts.** Where exhaust duct construction is not specified in this chapter, such construction shall comply with Chapter 6.

### SECTION 502 REQUIRED SYSTEMS

**502.1 General.** An exhaust system shall be provided, maintained and operated as specifically required by this section and for all occupied areas where machines, vats, tanks, furnaces,

forges, salamanders and other *appliances, equipment* and processes in such areas produce or throw off dust or particles sufficiently light to float in the air, or which emit heat, odors, fumes, spray, gas or smoke, in such quantities so as to be irritating or injurious to health or safety. These exhaust systems are considered *product-conveying* systems.

**502.1.1 Exhaust inlet location.** The inlet to an exhaust system shall be located in the area of heaviest concentration of contaminants.

[F] **502.1.2 Fuel-dispensing areas.** The bottom of an air inlet or exhaust opening in fuel-dispensing areas shall be located not more than 18 inches (457 mm) above the floor.

**502.1.3 Equipment, appliance and service rooms.** *Equipment, appliance* and system service rooms that house sources of odors, fumes, noxious gases, smoke, steam, dust, spray or other contaminants shall be designed and constructed so as to prevent spreading of such contaminants to other occupied parts of the building.

[F] **502.1.4 Hazardous exhaust.** The mechanical exhaust of high concentrations of dust or hazardous vapors shall conform to the requirements of Section 510.

[F] **502.2 Aircraft fueling and defueling.** Compartments housing piping, pumps, air eliminators, water separators, hose reels and similar *equipment* used in aircraft fueling and defueling operations shall be adequately ventilated at floor level or within the floor itself.

[F] **502.3 Battery-charging areas for powered industrial trucks and equipment.** Ventilation shall be provided in an *approved* manner in battery-charging areas for powered industrial trucks and *equipment* to prevent a dangerous accumulation of flammable gases.

[F] **502.4 Stationary storage battery systems.** Stationary storage battery systems having a liquid capacity of not more than 50 gallons, as regulated by Section 608 of the *International Fire Code*, shall be provided with ventilation in accordance with this chapter and Sections 502.4.1 ((Ø)) and 502.4.2.

**Exception:** Lithium-ion batteries shall not require ventilation.

[F] **502.4.1 Hydrogen limit in rooms.** For flooded lead acid, flooded nickel cadmium and VRLA batteries, the ventilation system shall be designed to limit the maximum concentration of hydrogen to 1.0 percent of the total volume of the room.

[F] **502.4.2 Ventilation rate in rooms.** Continuous ventilation shall be provided at a rate of not less than 1 cubic foot per minute per square foot (cfm/ft<sup>2</sup>) [0.00508 m<sup>3</sup>/(s · m<sup>2</sup>)] of floor area of the room.

[F] **502.4.3 Supervision.** Mechanical ventilation systems where required by Section 502.4 shall be supervised by an *approved* central, proprietary or remote station service or shall initiate an audible and visual signal at a constantly attended on-site location.

[F] **502.5 Valve-regulated lead-acid batteries in cabinets.** Valve-regulated lead-acid (VRLA) batteries installed in cabi-



nets, as regulated by Section 608.6.2 of the *International Fire Code*, shall be provided with ventilation in accordance with Sections 502.5.1 ((~~or~~)) and 502.5.2.

**[F] 502.5.1 Hydrogen limit in cabinets.** The cabinet ventilation system shall be designed to limit the maximum concentration of hydrogen to 1.0 percent of the total volume of the cabinet during the worst-case event of simultaneous boost charging of all batteries in the cabinet.

**[F] 502.5.2 Ventilation rate in cabinets.** Continuous cabinet ventilation shall be provided at a rate of not less than 1 cubic foot per minute per square foot (cfm/ft<sup>2</sup>) [0.00508 m<sup>3</sup>/(s · m<sup>2</sup>)] of the floor area covered by the cabinet. The room in which the cabinet is installed shall also be ventilated as required by Section 502.4.1 or 502.4.2.

**[F] 502.5.3 Supervision.** Mechanical ventilation systems, where required by Section 502.5, shall be supervised by an approved central, proprietary or remote station service or shall initiate an audible and visual signal at a constantly attended on-site location.

**[F] 502.6 Dry cleaning plants.** Ventilation in dry cleaning plants shall be adequate to protect employees and the public in accordance with this section and DOL 29 CFR Part 1910.1000, where applicable.

**[F] 502.6.1 Type II systems.** Type II dry cleaning systems shall be provided with a mechanical ventilation system that is designed to exhaust 1 cubic foot of air per minute for each square foot of floor area (1 cfm/ft<sup>2</sup>) [0.00508 m<sup>3</sup>/(s · m<sup>2</sup>)] in dry cleaning rooms and in drying rooms. The ventilation system shall operate automatically when the dry cleaning equipment is in operation and shall have manual controls at an approved location.

**[F] 502.6.2 Type IV and V systems.** Type IV and V dry cleaning systems shall be provided with an automatically activated exhaust ventilation system to maintain a minimum of 100 feet per minute (0.51 m/s) air velocity through the loading door when the door is opened.

**Exception:** Dry cleaning units are not required to be provided with exhaust ventilation where an exhaust hood is installed immediately outside of and above the loading door which operates at an airflow rate as follows:

$$Q = 100 \times A_{LD} \quad (\text{Equation 5-1})$$

where:

$Q$  = Flow rate exhausted through the hood, cubic feet per minute.

$A_{LD}$  = Area of the loading door, square feet.

**[F] 502.6.3 Spotting and pretreating.** Scrubbing tubs, scouring, brushing or spotting operations shall be located such that solvent vapors are captured and exhausted by the ventilating system.

**[F] 502.7 Application of flammable finishes.** Mechanical exhaust as required by this section shall be provided for operations involving the application of flammable finishes.

Spray finishing operations conducted in Group A, E, I or R occupancies shall be located in a spray room separated verti-

cally and horizontally from other areas in accordance with the International Building Code. In other occupancies, spray-finishing operations shall be conducted in a spray room, spray booth or limited spraying area approved for such use.

**[F] 502.7.1 During construction.** Ventilation shall be provided for operations involving the application of materials containing flammable solvents in the course of construction, alteration or demolition of a structure.

**[F] 502.7.2 Limited spraying spaces.** Positive mechanical ventilation which provides a minimum of six complete air changes per hour shall be installed in limited spraying spaces. Such system shall meet the requirements of the *International Fire Code* for handling flammable vapors. Explosion venting is not required.

**[F] 502.7.3 Flammable vapor areas.** Mechanical ventilation of flammable vapor areas shall be provided in accordance with Sections 502.7.3.1 through 502.7.3.6.

**[F] 502.7.3.1 Operation.** Mechanical ventilation shall be kept in operation at all times while spraying operations are being conducted and for a sufficient time thereafter to allow vapors from drying coated articles and finishing material residue to be exhausted. Spraying equipment shall be interlocked with the ventilation of the flammable vapor area such that spraying operations cannot be conducted unless the ventilation system is in operation.

**[F] 502.7.3.2 Recirculation.** Air exhausted from spraying operations shall not be recirculated.

**Exceptions:**

1. Air exhausted from spraying operations shall be permitted to be recirculated as *makeup air* for unmanned spray operations provided that:
  - 1.1. The solid particulate has been removed.
  - 1.2. The vapor concentration is less than 25 percent of the lower flammable limit (LFL).
  - 1.3. *Approved equipment* is used to monitor the vapor concentration.
  - 1.4. An alarm is sounded and spray operations are automatically shut down if the vapor concentration exceeds 25 percent of the LFL.
  - 1.5. In the event of shutdown of the vapor concentration monitor, 100 percent of the air volume specified in Section 510 is automatically exhausted.
2. Air exhausted from spraying operations is allowed to be recirculated as *makeup air* to manned spraying operations where all of the conditions provided in Exception 1 are included in the installation and documents have been prepared to show that the installation does not pose a life safety hazard to personnel inside the spray booth, spraying space or spray room.

**[F] 502.7.3.3 Air velocity.** Ventilation systems shall be designed, installed and maintained such that the average air velocity over the open face of the booth, or booth cross section in the direction of airflow during spraying operations, is not less than 100 feet per minute (0.51 m/s).

**[F] 502.7.3.4 Ventilation obstruction.** Articles being sprayed shall be positioned in a manner that does not obstruct collection of overspray.

**[F] 502.7.3.5 Independent ducts.** Each spray booth and spray room shall have an independent exhaust duct system discharging to the outdoors.

**Exceptions:**

1. Multiple spray booths having a combined frontal area of 18 square feet (1.67 m<sup>2</sup>) or less are allowed to have a common exhaust where identical spray-finishing material is used in each booth. If more than one fan serves one booth, such fans shall be interconnected so that all fans operate simultaneously.
2. Where treatment of exhaust is necessary for air pollution control or energy conservation, ducts shall be allowed to be manifolded if all of the following conditions are met:
  - 2.1. The sprayed materials used are compatible and will not react or cause ignition of the residue in the ducts.
  - 2.2. Nitrocellulose-based finishing material shall not be used.
  - 2.3. A filtering system shall be provided to reduce the amount of overspray carried into the duct manifold.
  - 2.4. Automatic sprinkler protection shall be provided at the junction of each booth exhaust with the manifold, in addition to the protection required by this chapter.

**[F] 502.7.3.6 Fan motors and belts.** Electric motors driving exhaust fans shall not be placed inside booths or ducts. Fan rotating elements shall be nonferrous or nonsparking or the casing shall consist of, or be lined with, such material. Belts shall not enter the duct or booth unless the belt and pulley within the duct are tightly enclosed.

**[F] 502.7.4 Dipping operations.** Flammable vapor areas of dip tank operations shall be provided with mechanical ventilation adequate to prevent the dangerous accumulation of vapors. Required ventilation systems shall be so arranged that the failure of any ventilating fan will automatically stop the dipping conveyor system.

**[F] 502.7.5 Electrostatic apparatus.** The flammable vapor area in spray-finishing operations involving electrostatic apparatus and devices shall be ventilated in accordance with Section 502.7.3.

**[F] 502.7.6 Powder coating.** Exhaust ventilation for powder-coating operations shall be sufficient to maintain the atmosphere below one-half of the minimum explosive con-

centration for the material being applied. Nondeposited, air-suspended powders shall be removed through exhaust ducts to the powder recovery system.

**[F] 502.7.7 Floor resurfacing operations.** To prevent the accumulation of flammable vapors during floor resurfacing operations, mechanical ventilation at a minimum rate of 1 cfm/ft<sup>2</sup> [0.00508 m<sup>3</sup>/(s · m<sup>2</sup>)] of area being finished shall be provided. Such exhaust shall be by *approved* temporary or portable means. Vapors shall be exhausted to the exterior of the building.

**[F] 502.8 Hazardous materials—general requirements.** Exhaust ventilation systems for structures containing hazardous materials shall be provided as required in Sections 502.8.1 through 502.8.5.

**[F] 502.8.1 Storage in excess of the maximum allowable quantities.** Indoor storage areas and storage buildings for hazardous materials in amounts exceeding the maximum allowable quantity per control area shall be provided with mechanical exhaust ventilation or *natural ventilation* where *natural ventilation* can be shown to be acceptable for the materials as stored.

**Exception:** Storage areas for flammable solids complying with Section 3604 of the *International Fire Code*.

**[F] 502.8.1.1 System requirements.** Exhaust ventilation systems shall comply with all of the following:

1. The installation shall be in accordance with this code.
2. Mechanical ventilation shall be provided at a rate of not less than 1 cfm per square foot [0.00508 m<sup>3</sup>/(s · m<sup>2</sup>)] of floor area over the storage area.
3. The systems shall operate continuously unless alternate designs are *approved*.
4. A manual shutoff control shall be provided outside of the room in a position adjacent to the access door to the room or in another *approved* location. The switch shall be a break-glass or other *approved* type and shall be *labeled*: VENTILATION SYSTEM EMERGENCY SHUTOFF.
5. The exhaust ventilation shall be designed to consider the density of the potential fumes or vapors released. For fumes or vapors that are heavier than air, exhaust shall be taken from a point within 12 inches (305 mm) of the floor. For fumes or vapors that are lighter than air, exhaust shall be taken from a point within 12 inches (305 mm) of the highest point of the room.
6. The location of both the exhaust and inlet air openings shall be designed to provide air movement across all portions of the floor or room to prevent the accumulation of vapors.
7. The *exhaust air* shall not be recirculated to occupied areas if the materials stored are capable of emitting hazardous vapors and contaminants have not been removed. Air contaminated with explosive or flammable vapors, fumes or dusts; flamma-

ble, highly toxic or toxic gases; or radioactive materials shall not be recirculated.

**[F] 502.8.2 Gas rooms, exhausted enclosures and gas cabinets.** The ventilation system for gas rooms, exhausted enclosures and gas cabinets for any quantity of hazardous material shall be designed to operate at a negative pressure in relation to the surrounding area. Highly toxic and toxic gases shall also comply with Sections 502.9.7.1, 502.9.7.2 and 502.9.8.4.

**[F] 502.8.3 Indoor dispensing and use.** Indoor dispensing and use areas for hazardous materials in amounts exceeding the maximum allowable quantity per control area shall be provided with exhaust ventilation in accordance with Section 502.8.1.

**Exception:** Ventilation is not required for dispensing and use of flammable solids other than finely divided particles.

**[F] 502.8.4 Indoor dispensing and use—point sources.** Where gases, liquids or solids in amounts exceeding the maximum allowable quantity per control area and having a hazard ranking of 3 or 4 in accordance with NFPA 704 are dispensed or used, mechanical exhaust ventilation shall be provided to capture gases, fumes, mists or vapors at the point of generation.

**Exception:** Where it can be demonstrated that the gases, liquids or solids do not create harmful gases, fumes, mists or vapors.

**[F] 502.8.5 Closed systems.** Where closed systems for the use of hazardous materials in amounts exceeding the maximum allowable quantity per control area are designed to be opened as part of normal operations, ventilation shall be provided in accordance with Section 502.8.4.

**[F] 502.9 Hazardous materials—requirements for specific materials.** Exhaust ventilation systems for specific hazardous materials shall be provided as required in Section 502.8 and Sections 502.9.1 through 502.9.11.

**[F] 502.9.1 Compressed gases—medical gas systems.** Rooms for the storage of compressed medical gases in amounts exceeding the maximum allowable exempt quantity per control area, and which do not have an exterior wall, shall be exhausted through a duct to the exterior of the building. Both separate airstreams shall be enclosed in a 1-hour-rated shaft enclosure from the room to the exterior. *Approved* mechanical ventilation shall be provided at a minimum rate of 1 cfm/ft<sup>2</sup> [0.00508 m<sup>3</sup>/(s · m<sup>2</sup>)] of the area of the room.

Gas cabinets for the storage of compressed medical gases in amounts exceeding the maximum allowable quantity per control area shall be connected to an exhaust system. The average velocity of ventilation at the face of access ports or windows shall be not less than 200 feet per minute (1.02 m/s) with a minimum velocity of 150 feet per minute (0.76 m/s) at any point at the access port or window.

**[F] 502.9.2 Corrosives.** Where corrosive materials in amounts exceeding the maximum allowable quantity per control area are dispensed or used, mechanical exhaust ventilation in accordance with Section 502.8.4 shall be provided.

**[F] 502.9.3 Cryogenics.** Storage areas for stationary or portable containers of cryogenic fluids in any quantity shall be ventilated in accordance with Section 502.8. Indoor areas where cryogenic fluids in any quantity are dispensed shall be ventilated in accordance with the requirements of Section 502.8.4 in a manner that captures any vapor at the point of generation.

**Exception:** Ventilation for indoor dispensing areas is not required where it can be demonstrated that the cryogenic fluids do not create harmful vapors.

**[F] 502.9.4 Explosives.** Squirrel cage blowers shall not be used for exhausting hazardous fumes, vapors or gases in operating buildings and rooms for the manufacture, assembly or testing of explosives. Only nonferrous fan blades shall be used for fans located within the ductwork and through which hazardous materials are exhausted. Motors shall be located outside the duct.

**[F] 502.9.5 Flammable and combustible liquids.** Exhaust ventilation systems shall be provided as required by Sections 502.9.5.1 through 502.9.5.5 for the storage, use, dispensing, mixing and handling of flammable and combustible liquids. Unless otherwise specified, this section shall apply to any quantity of flammable and combustible liquids.

**Exception:** This section shall not apply to flammable and combustible liquids that are exempt from the *International Fire Code*.

**[F] 502.9.5.1 Vaults.** Vaults that contain tanks of Class I liquids shall be provided with continuous ventilation at a rate of not less than 1 cfm/ft<sup>2</sup> of floor area [0.00508 m<sup>3</sup>/(s · m<sup>2</sup>)], but not less than 150 cfm (4 m<sup>3</sup>/min). Failure of the exhaust airflow shall automatically shut down the dispensing system. The exhaust system shall be designed to provide air movement across all parts of the vault floor. Supply and exhaust ducts shall extend to a point not greater than 12 inches (305 mm) and not less than 3 inches (76 mm) above the floor. The exhaust system shall be installed in accordance with the provisions of NFPA 91. Means shall be provided to automatically detect any flammable vapors and to automatically shut down the dispensing system upon detection of such flammable vapors in the exhaust duct at a concentration of 25 percent of the LFL.

**[F] 502.9.5.2 Storage rooms and warehouses.** Liquid storage rooms and liquid storage warehouses for quantities of liquids exceeding those specified in the *International Fire Code* shall be ventilated in accordance with Section 502.8.1.

**[F] 502.9.5.3 Cleaning machines.** Areas containing machines used for parts cleaning in accordance with the *International Fire Code* shall be adequately ventilated to prevent accumulation of vapors.

**[F] 502.9.5.4 Use, dispensing and mixing.** Continuous mechanical ventilation shall be provided for the use, dispensing and mixing of flammable and combustible liquids in open or closed systems in amounts exceeding the maximum allowable quantity per control area and for bulk transfer and process transfer operations. The venti-



lation rate shall be not less than 1 cfm/ft<sup>2</sup> [0.00508 m<sup>3</sup>/(s · m<sup>2</sup>)] of floor area over the design area. Provisions shall be made for the introduction of *makeup air* in a manner that will include all floor areas or pits where vapors can collect. Local or spot ventilation shall be provided where needed to prevent the accumulation of hazardous vapors.

**Exception:** Where *natural ventilation* can be shown to be effective for the materials used, dispensed or mixed.

**[F] 502.9.5.5 Bulk plants or terminals.** Ventilation shall be provided for portions of properties where flammable and combustible liquids are received by tank vessels, pipelines, tank cars or tank vehicles and which are stored or blended in bulk for the purpose of distributing such liquids by tank vessels, pipelines, tank cars, tank vehicles or containers as required by Sections 502.9.5.5.1 through 502.9.5.5.3.

**[F] 502.9.5.5.1 General.** Ventilation shall be provided for rooms, buildings and enclosures in which Class I liquids are pumped, used or transferred. Design of ventilation systems shall consider the relatively high specific gravity of the vapors. Where *natural ventilation* is used, adequate openings in outside walls at floor level, unobstructed except by louvers or coarse screens, shall be provided. Where *natural ventilation* is inadequate, mechanical ventilation shall be provided.

**[F] 502.9.5.5.2 Basements and pits.** Class I liquids shall not be stored or used within a building having a basement or pit into which flammable vapors can travel, unless such area is provided with ventilation designed to prevent the accumulation of flammable vapors therein.

**[F] 502.9.5.5.3 Dispensing of Class I liquids.** Containers of Class I liquids shall not be drawn from or filled within buildings unless a provision is made to prevent the accumulation of flammable vapors in hazardous concentrations. Where mechanical ventilation is required, it shall be kept in operation while flammable vapors could be present.

**[F] 502.9.6 Highly toxic and toxic liquids.** Ventilation exhaust shall be provided for highly toxic and toxic liquids as required by Sections 502.9.6.1 and 502.9.6.2.

**[F] 502.9.6.1 Treatment system.** This provision shall apply to indoor and outdoor storage and use of highly toxic and toxic liquids in amounts exceeding the maximum allowable quantities per control area. Exhaust scrubbers or other systems for processing vapors of highly toxic liquids shall be provided where a spill or accidental release of such liquids can be expected to release highly toxic vapors at normal temperature and pressure.

**[F] 502.9.6.2 Open and closed systems.** Mechanical exhaust ventilation shall be provided for highly toxic and toxic liquids used in open systems in accordance with Section 502.8.4. Mechanical exhaust ventilation shall be provided for highly toxic and toxic liquids used in closed systems in accordance with Section 502.8.5.

**Exception:** Liquids or solids that do not generate highly toxic or toxic fumes, mists or vapors.

**[F] 502.9.7 Highly toxic and toxic compressed gases—any quantity.** Ventilation exhaust shall be provided for highly toxic and toxic compressed gases in any quantity as required by Sections 502.9.7.1 and 502.9.7.2.

**[F] 502.9.7.1 Gas cabinets.** Gas cabinets containing highly toxic or toxic compressed gases in any quantity shall comply with Section 502.8.2 and the following requirements:

1. The average ventilation velocity at the face of gas cabinet access ports or windows shall be not less than 200 feet per minute (1.02 m/s) with a minimum velocity of 150 feet per minute (0.76 m/s) at any point at the access port or window.
2. Gas cabinets shall be connected to an exhaust system.
3. Gas cabinets shall not be used as the sole means of exhaust for any room or area.

**[F] 502.9.7.2 Exhausted enclosures.** Exhausted enclosures containing highly toxic or toxic compressed gases in any quantity shall comply with Section 502.8.2 and the following requirements:

1. The average ventilation velocity at the face of the enclosure shall be not less than 200 feet per minute (1.02 m/s) with a minimum velocity of 150 feet per minute (0.76 m/s).
2. Exhausted enclosures shall be connected to an exhaust system.
3. Exhausted enclosures shall not be used as the sole means of exhaust for any room or area.

**[F] 502.9.8 Highly toxic and toxic compressed gases—quantities exceeding the maximum allowable quantity per control area.** Ventilation exhaust shall be provided for highly toxic and toxic compressed gases in amounts exceeding the maximum allowable quantities per control area as required by Sections 502.9.8.1 through 502.9.8.6.

**[F] 502.9.8.1 Ventilated areas.** The room or area in which indoor gas cabinets or exhausted enclosures are located shall be provided with exhaust ventilation. Gas cabinets or exhausted enclosures shall not be used as the sole means of exhaust for any room or area.

**[F] 502.9.8.2 Local exhaust for portable tanks.** A means of local exhaust shall be provided to capture leakage from indoor and outdoor portable tanks. The local exhaust shall consist of portable ducts or collection systems designed to be applied to the site of a leak in a valve or fitting on the tank. The local exhaust system shall be located in a gas room. Exhaust shall be directed to a treatment system where required by the *International Fire Code*.

**[F] 502.9.8.3 Piping and controls—stationary tanks.** Filling or dispensing connections on indoor stationary tanks shall be provided with a means of local exhaust. Such exhaust shall be designed to capture fumes and



vapors. The exhaust shall be directed to a treatment system where required by the *International Fire Code*.

**[F] 502.9.8.4 Gas rooms.** The ventilation system for gas rooms shall be designed to operate at a negative pressure in relation to the surrounding area. The exhaust ventilation from gas rooms shall be directed to an exhaust system.

**[F] 502.9.8.5 Treatment system.** The exhaust ventilation from gas cabinets, exhausted enclosures and gas rooms, and local exhaust systems required in Sections 502.9.8.2 and 502.9.8.3 shall be directed to a treatment system where required by the *International Fire Code*.

**[F] 502.9.8.6 Process equipment.** Effluent from indoor and outdoor process *equipment* containing highly toxic or toxic compressed gases which could be discharged to the atmosphere shall be processed through an exhaust scrubber or other processing system. Such systems shall be in accordance with the *International Fire Code*.

**[F] 502.9.9 Ozone gas generators.** Ozone cabinets and ozone gas-generator rooms for systems having a maximum ozone-generating capacity of  $\frac{1}{2}$  pound (0.23 kg) or more over a 24-hour period shall be mechanically ventilated at a rate of not less than six air changes per hour. For cabinets, the average velocity of ventilation at *makeup air* openings with cabinet doors closed shall be not less than 200 feet per minute (1.02 m/s).

**[F] 502.9.10 LP-gas distribution facilities.** LP-gas distribution facilities shall be ventilated in accordance with NFPA 58.

**[F] 502.9.10.1 Portable container use.** Above-grade underfloor spaces or basements in which portable LP-gas containers are used or are stored awaiting use or resale shall be provided with an *approved* means of ventilation.

**Exception:** Department of Transportation (DOT) specification cylinders with a maximum water capacity of 2.5 pounds (1 kg) for use in completely self-contained hand torches and similar applications. The quantity of LP-gas shall not exceed 20 pounds (9 kg).

**[F] 502.9.11 Silane gas.** Exhausted enclosures and gas cabinets for the indoor storage of silane gas in amounts exceeding the maximum allowable quantities per control area shall comply with this section.

1. Exhausted enclosures and gas cabinets shall be in accordance with Section 502.8.2.
2. The velocity of ventilation across unwelded fittings and connections on the piping system shall not be less than 200 feet per minute (1.02 m/s).
3. The average velocity at the face of the access ports or windows in the gas cabinet shall not be less than 200 feet per minute (1.02 m/s) with a minimum velocity of 150 feet per minute (0.76 m/s) at any point at the access port or window.

**[F] 502.10 Hazardous production materials (HPM).** Exhaust ventilation systems and materials for ducts utilized for the exhaust of HPM shall comply with this section, other appli-

cable provisions of this code, the *International Building Code* and the *International Fire Code*.

**[F] 502.10.1 Where required.** Exhaust ventilation systems shall be provided in the following locations in accordance with the requirements of this section and the *International Building Code*.

1. Fabrication areas: Exhaust ventilation for fabrication areas shall comply with the *International Building Code*. Additional manual control switches shall be provided where required by the code official.
2. Workstations: A ventilation system shall be provided to capture and exhaust gases, fumes and vapors at workstations.
3. Liquid storage rooms: Exhaust ventilation for liquid storage rooms shall comply with Section 502.8.1.1 and the *International Building Code*.
4. HPM rooms: Exhaust ventilation for HPM rooms shall comply with Section 502.8.1.1 and the *International Building Code*.
5. Gas cabinets: Exhaust ventilation for gas cabinets shall comply with Section 502.8.2. The gas cabinet ventilation system is allowed to connect to a workstation ventilation system. Exhaust ventilation for gas cabinets containing highly toxic or toxic gases shall also comply with Sections 502.9.7 and 502.9.8.
6. Exhausted enclosures: Exhaust ventilation for exhausted enclosures shall comply with Section 502.8.2. Exhaust ventilation for exhausted enclosures containing highly toxic or toxic gases shall also comply with Sections 502.9.7 and 502.9.8.
7. Gas rooms: Exhaust ventilation for gas rooms shall comply with Section 502.8.2. Exhaust ventilation for gas rooms containing highly toxic or toxic gases shall also comply with Sections 502.9.7 and 502.9.8.
8. Cabinets containing pyrophoric liquids or Class 3 water-reactive liquids: Exhaust ventilation for cabinets in fabrication areas containing pyrophoric liquids shall be as required in Section 1805.2.3.4 of the *International Fire Code*.

**[F] 502.10.2 Penetrations.** Exhaust ducts penetrating fire barrier assemblies shall be contained in a shaft of equivalent fire-resistive construction. Exhaust ducts shall not penetrate building separation walls. Fire dampers shall not be installed in exhaust ducts.

**[F] 502.10.3 Treatment systems.** Treatment systems for highly toxic and toxic gases shall comply with the *International Fire Code*.

**502.11 Motion picture projectors.** Motion picture projectors shall be exhausted in accordance with Section 502.11.1 or 502.11.2.

**502.11.1 Projectors with an exhaust discharge.** Projectors equipped with an exhaust discharge shall be directly connected to a mechanical exhaust system. The exhaust system shall operate at an exhaust rate as indicated by the manufacturer's installation instructions.

**502.11.2 Projectors without exhaust connection.** Projectors without an exhaust connection shall have contaminants exhausted through a mechanical exhaust system. The exhaust rate for electric arc projectors shall be a minimum of 200 cubic feet per minute (cfm) (0.09 m<sup>3</sup>/s) per lamp. The exhaust rate for xenon projectors shall be a minimum of 300 cfm (0.14 m<sup>3</sup>/s) per lamp. Xenon projector exhaust shall be at a rate such that the exterior temperature of the lamp housing does not exceed 130°F (54°C). The lamp and projection room exhaust systems, whether combined or independent, shall not be interconnected with any other exhaust or return system within the building.

**[F] 502.12 Organic coating processes.** Enclosed structures involving organic coating processes in which Class I liquids are processed or handled shall be ventilated at a rate of not less than 1 cfm/ft<sup>2</sup> [0.00508 m<sup>3</sup>/(s · m<sup>2</sup>)] of solid floor area. Ventilation shall be accomplished by exhaust fans that intake at floor levels and discharge to a safe location outside the structure. Noncontaminated intake air shall be introduced in such a manner that all portions of solid floor areas are provided with continuous uniformly distributed air movement.

**502.13 Public garages.** Mechanical exhaust systems for public garages, as required in Chapter 4, shall operate continuously or in accordance with Section 404.

**502.14 Motor vehicle operation.** In areas where motor vehicles operate, mechanical ventilation shall be provided in accordance with Section 403. Additionally, areas in which stationary motor vehicles are operated shall be provided with a *source capture system* that connects directly to the motor vehicle exhaust systems. When the source capture system extends more than 10 feet from the tailpipe connection to the outdoors, the system shall exhaust at a rate of 600 cfm for heavy-duty diesel vehicles and at a rate of 300 cfm for all other vehicles.

**Exceptions:**

1. This section shall not apply where the motor vehicles being operated or repaired are electrically powered.
2. This section shall not apply to one- and two-family dwellings.
3. This section shall not apply to motor vehicle service areas where engines are operated inside the building only for the duration necessary to move the motor vehicles in and out of the building.

**[F] 502.15 Repair garages and other spaces.** Where Class I liquids or LP-gas are stored or used within a building having a basement or pit wherein flammable vapors could accumulate, the basement or pit shall be provided with ventilation designed to prevent the accumulation of flammable vapors therein.

**[F] 502.16 Repair garages for natural gas- and hydrogen-fueled vehicles.** Repair garages used for the repair of natural gas- or hydrogen-fueled vehicles shall be provided with an *approved* mechanical ventilation system. The mechanical ventilation system shall be in accordance with Sections 502.16.1 and 502.16.2.

**Exception:** Where *approved* by the code official, *natural ventilation* shall be permitted in lieu of mechanical ventilation.

**[F] 502.16.1 Design.** Indoor locations shall be ventilated utilizing air supply inlets and exhaust outlets arranged to provide uniform air movement to the extent practical. Inlets shall be uniformly arranged on exterior walls near floor level. Outlets shall be located at the high point of the room in exterior walls or the roof.

Ventilation shall be by a continuous mechanical ventilation system or by a mechanical ventilation system activated by a continuously monitoring natural gas detection system, or for hydrogen, a continuously monitoring flammable gas detection system, each activating at a gas concentration of 25 percent of the lower flammable limit (LFL). In all cases, the system shall shut down the fueling system in the event of failure of the ventilation system.

The ventilation rate shall be at least 1 cubic foot per minute per 12 cubic feet [0.00138 m<sup>3</sup>/(s · m<sup>3</sup>)] of room volume.

**[F] 502.16.2 Operation.** The mechanical ventilation system shall operate continuously.

**Exceptions:**

1. Mechanical ventilation systems that are interlocked with a gas detection system designed in accordance with the *International Fire Code*.
2. Mechanical ventilation systems in garages that are used only for the repair of vehicles fueled by liquid fuels or odorized gases, such as CNG, where the ventilation system is electrically interlocked with the lighting circuit.

**502.17 Tire rebuilding or recapping.** Each room where rubber cement is used or mixed, or where flammable or combustible solvents are applied, shall be ventilated in accordance with the applicable provisions of NFPA 91.

**502.17.1 Buffing machines.** Each buffing machine shall be connected to a dust-collecting system that prevents the accumulation of the dust produced by the buffing process.

**502.18 Specific rooms.** Specific rooms, including bathrooms, locker rooms, smoking lounges and toilet rooms, shall be exhausted in accordance with the ventilation requirements of Chapter 4.

**Interpretation:** RCW 70.160.030 states: “No person may smoke in a public place or in any place of employment.” A public place is defined in RCW 70.160.020 in part as: “...A public place does not include a private residence unless the private residence is used to provide licensed child care, foster care, adult care, or other similar social service care on the premises. This chapter is not intended to restrict smoking in private facilities which are occasionally open to the public except upon the occasions when the facility is open to the public.”

**502.19 Indoor firing ranges.** Ventilation shall be provided in an *approved* manner in areas utilized as indoor firing ranges. Ventilation shall be designed to protect employees and the public in accordance with OSHA 29 CFR 1910.1025 where applicable.

## SECTION 503 MOTORS AND FANS

**503.1 General.** Motors and fans shall be sized to provide the required air movement. Motors in areas that contain flammable vapors or dusts shall be of a type *approved* for such environments. A manually operated remote control installed at an *approved* location shall be provided to shut off fans or blowers in flammable vapor or dust systems. Electrical *equipment* and appliances used in operations that generate explosive or flammable vapors, fumes or dusts shall be interlocked with the ventilation system so that the *equipment* and appliances cannot be operated unless the ventilation fans are in operation. Motors for fans used to convey flammable vapors or dusts shall be located outside the duct or shall be protected with *approved* shields and dustproofing. Motors and fans shall be provided with a means of access for servicing and maintenance.

**503.2 Fans.** Parts of fans in contact with explosive or flammable vapors, fumes or dusts shall be of nonferrous or nonsparking materials, or their casing shall be lined or constructed of such material. When the size and hardness of materials passing through a fan are capable of producing a spark, both the fan and the casing shall be of nonsparking materials. When fans are required to be spark resistant, their bearings shall not be within the airstream, and all parts of the fan shall be grounded. Fans in systems-handling materials that are capable of clogging the blades, and fans in buffing or woodworking exhaust systems, shall be of the radial-blade or tube-axial type.

**503.3 Equipment and appliance identification plate.** *Equipment* and appliances used to exhaust explosive or flammable vapors, fumes or dusts shall bear an identification plate stating the ventilation rate for which the system was designed.

**503.4 Corrosion-resistant fans.** Fans located in systems conveying corrosives shall be of materials that are resistant to the corrosive or shall be coated with corrosion-resistant materials.

## SECTION 504 CLOTHES DRYER EXHAUST

**504.1 Installation.** Clothes dryers shall be exhausted in accordance with the manufacturer's instructions. Dryer exhaust systems shall be independent of all other systems and shall convey the moisture and any products of *combustion* to the outside of the building.

**Exception:** This section shall not apply to *listed* and *labeled* condensing (ductless) clothes dryers.

**504.2 Exhaust penetrations.** Where a clothes dryer exhaust duct penetrates a wall or ceiling membrane, the annular space shall be sealed with noncombustible material, *approved* fire caulking or a noncombustible dryer exhaust duct wall receptacle. Ducts that exhaust clothes dryers shall not penetrate or be located within any fireblocking, draftstopping or any wall, floor/ceiling or other assembly required by the *International Building Code* to be fire-resistance rated, unless such duct is constructed of galvanized steel or aluminum of the thickness specified in Section 603.4 and the fire-resistance rating is maintained in accordance with the *International Building*

*Code*. Fire dampers, combination fire/smoke dampers and any similar devices that will obstruct the exhaust flow shall be prohibited in clothes dryer exhaust ducts.

**504.2.1 Protection required.** Protective shield plates shall be placed where nails or screws from finish or other work are likely to penetrate the clothes dryer exhaust duct. Shield plates shall be placed on the finished face of all framing members where there is less than 1<sup>1</sup>/<sub>4</sub> inches (32 mm) between the duct and the finished face of the framing member. Protective shield plates shall be constructed of steel, have a thickness of 0.062 inch (1.6 mm) and extend a minimum of 2 inches (51 mm) above sole plates and below top plates.

**504.3 Cleanout.** Each vertical riser shall be provided with a means for cleanout.

**504.4 Exhaust installation.** Dryer exhaust ducts for clothes dryers shall terminate on the outside of the building and shall be equipped with a *backdraft damper*. Screens shall not be installed at the duct termination. Ducts shall not be connected or installed with sheet metal screws or other fasteners that will obstruct the exhaust flow. Clothes dryer exhaust ducts shall not be connected to a vent connector, vent or *chimney*. (~~Clothes dryer exhaust ducts shall not extend into or through ducts or plenums.~~)

**504.5 Makeup air.** Installations exhausting more than 200 cfm (0.09m<sup>3</sup>/s) shall be provided with *makeup air*. Where a closet is designed for the installation of a clothes dryer, an opening having an area of not less than 100 square inches (0.0645 m<sup>2</sup>) shall be provided in the closet enclosure or *makeup air* shall be provided by other *approved* means.

**504.6 Domestic clothes dryer ducts.** Exhaust ducts for domestic clothes dryers shall conform to the requirements of Sections 504.6.1 through 504.6.7.

**504.6.1 Material and size.** Exhaust ducts shall have a smooth interior finish and shall be constructed of metal a minimum 0.016 inch (0.4 mm) thick. The exhaust duct size shall be 4 inches (102 mm) nominal in diameter.

**504.6.2 Duct installation.** Exhaust ducts shall be supported at 4-foot (1219 mm) intervals and secured in place. The insert end of the duct shall extend into the adjoining duct or fitting in the direction of airflow. Ducts shall not be joined with screws or similar fasteners that protrude into the inside of the duct.

**504.6.3 Transition ducts.** Transition ducts used to connect the dryer to the exhaust duct system shall be a single length that is *listed* and *labeled* in accordance with UL 2158A. Transition ducts shall be a maximum of 8 feet (2438 mm) in length and shall not be concealed within construction.

**504.6.4 Duct length.** The maximum allowable exhaust duct length shall be determined by one of the methods specified in Section 504.6.4.1 or 504.6.4.2.

**504.6.4.1 Specified length.** The maximum length of the exhaust duct shall be 35 feet (10 668 mm) from the connection to the transition duct from the dryer to the outlet



terminal. Where fittings are used, the maximum length of the exhaust duct shall be reduced in accordance with Table 504.6.4.1.

**[W] Exception:** The maximum length of the duct may be increased in an engineered exhaust system when a listed and labeled dryer exhaust booster fan is installed in accordance with the manufacturer's installation instructions.

**TABLE 504.6.4.1  
DRYER EXHAUST DUCT FITTING EQUIVALENT LENGTH**

DRYER EXHAUST DUCT FITTING TYPE	EQUIVALENT LENGTH
4" radius mitered 45-degree elbow	2 feet 6 inches
4" radius mitered 90-degree elbow	5 feet
6" radius smooth 45-degree elbow	1 foot
6" radius smooth 90-degree elbow	1 foot 9 inches
8" radius smooth 45-degree elbow	1 foot
8" radius smooth 90-degree elbow	1 foot 7 inches
10" radius smooth 45-degree elbow	9 inches
10" radius smooth 90-degree elbow	1 foot 6 inches

For SI: 1 inch = 25.4 mm, 1 foot = 304.8 mm, 1 degree = 0.0175 rad.

**504.6.4.2 Manufacturer's instructions.** The maximum length of the exhaust duct shall be determined by the dryer manufacturer's installation instructions. The code official shall be provided with a copy of the installation instructions for the make and model of the dryer. Where the exhaust duct is to be concealed, the installation instructions shall be provided to the code official prior to the concealment inspection. In the absence of fitting equivalent length calculations from the clothes dryer manufacturer, Table 504.6.4.1 shall be used.

**504.6.5 Length identification.** Where the exhaust duct is concealed within the building construction, the equivalent length of the exhaust duct shall be identified on a permanent label or tag. The label or tag shall be located within 6 feet (1829 mm) of the exhaust duct connection.

**504.6.6 Exhaust duct required.** Where space for a clothes dryer is provided, an exhaust duct system shall be installed. Where the clothes dryer is not installed at the time of occupancy, the exhaust duct shall be capped at the location of the future dryer.

**Exception:** Where a *listed* condensing clothes dryer is installed prior to occupancy of structure.

~~((504.6.7 Protection required. Protective shield plates shall be placed where nails or screws from finish or other work are likely to penetrate the clothes dryer exhaust duct. Shield plates shall be placed on the finished face of all framing members where there is less than 1 7/8 inches (32 mm) between the duct and the finished face of the framing member. Protective shield plates shall be constructed of steel, have a thickness of 0.062 inch (1.6 mm) and extend a minimum of 2 inches (51 mm) above sole plates and below top plates.))~~

**504.7 Commercial clothes dryers.** The installation of dryer exhaust ducts serving Type 2 clothes dryers shall comply with the *appliance* manufacturer's installation instructions. Exhaust fan motors installed in exhaust systems shall be located outside of the airstream. In multiple installations, the fan shall operate continuously or be interlocked to operate when any individual unit is operating. Ducts shall have a minimum *clearance* of 6 inches (152 mm) to combustible materials. Clothes dryer transition ducts used to connect the *appliance* to the exhaust duct system shall be limited to single lengths not to exceed 8 feet (2438 mm) in length and shall be *listed* and *labeled* for the application. Transition ducts shall not be concealed within construction.

**504.8 Common exhaust systems for clothes dryers located in multistory structures.** Where a common multistory duct system is designed and installed to convey exhaust from multiple clothes dryers, the construction of the system shall be in accordance with all of the following:

1. The shaft in which the duct is installed shall be constructed and fire-resistance rated as required by the *International Building Code*.
2. Dampers shall be prohibited in the exhaust duct. Penetrations of the shaft and ductwork shall be protected in accordance with Section 607.5.5, Exception 2.
3. Rigid metal ductwork shall be installed within the shaft to convey the exhaust. The ductwork shall be constructed of sheet steel having a minimum thickness of 0.0187 inch (0.4712 mm) (No. 26 gage) and in accordance with *SMACNA Duct Construction Standards*.
4. The ductwork within the shaft shall be designed and installed without offsets.
5. The exhaust fan motor design shall be in accordance with Section 503.2.
6. The exhaust fan motor shall be located outside of the airstream.
7. The exhaust fan shall run continuously, and shall be connected to a legally required standby power source.
8. Exhaust fan operation shall be monitored in an *approved* location and shall initiate an audible or visual signal when the fan is not in operation.
9. *Makeup air* shall be provided for the exhaust system.
10. A cleanout opening shall be located at the base of the shaft to provide *access* to the duct to allow for cleaning and inspection. The finished opening shall be not less than 12 inches by 12 inches (305 mm by 305 mm).
11. Screens shall not be installed at the termination.

**SECTION 505  
DOMESTIC KITCHEN EXHAUST EQUIPMENT**

**[W] 505.1 Domestic systems.** Where domestic range hoods and domestic appliances equipped with downdraft exhaust are located within *dwelling units*, such hoods and appliances shall discharge to the outdoors through sheet metal ducts constructed of galvanized steel, stainless steel, aluminum or copper. Such ducts shall have smooth inner walls and shall be air



tight and equipped with a *backdraft damper*. Domestic range hood duct systems shall not be combined with other exhaust systems.

Listed and labeled exhaust booster fans shall be permitted when installed in accordance with the manufacturer's installation instructions.

**Exceptions:**

1. Where installed in accordance with the manufacturer's installation instructions and where mechanical or *natural ventilation* is otherwise provided in accordance with Chapter 4, *listed* and *labeled* ductless range hoods shall not be required to discharge to the outdoors.

**Interpretation:** When a recirculating hood is used in a domestic kitchen, the kitchen shall have environmental air exhaust that complies with Table 403.3 and Section 501.

2. Ducts for domestic kitchen cooking appliances equipped with downdraft exhaust systems shall be permitted to be constructed of Schedule 40 PVC pipe and fittings provided that the installation complies with all of the following:
  - 2.1. The duct shall be installed under a concrete slab poured on grade.
  - 2.2. The underfloor trench in which the duct is installed shall be completely backfilled with sand or gravel.
  - 2.3. The PVC duct shall extend not more than 1 inch (25 mm) above the indoor concrete floor surface.
  - 2.4. The PVC duct shall extend not more than 1 inch (25 mm) above grade outside of the building.
  - 2.5. The PVC ducts shall be solvent cemented.

**505.2 Makeup air required.** Exhaust hood systems capable of exhausting in excess of 400 cfm (0.19 m<sup>3</sup>/s) shall be provided with *makeup air* at a rate approximately equal to the *exhaust air* rate. Such *makeup air* systems shall be equipped with a means of closure and shall be automatically controlled to start and operate simultaneously with the exhaust system.

## SECTION 506 COMMERCIAL KITCHEN HOOD VENTILATION SYSTEM DUCTS AND EXHAUST EQUIPMENT

**506.1 General.** Commercial kitchen hood ventilation ducts and exhaust *equipment* shall comply with the requirements of this section. Commercial kitchen grease ducts shall be designed for the type of cooking *appliance* and hood served.

**506.2 Corrosion protection.** Ducts exposed to the outside atmosphere or subject to a corrosive environment shall be protected against corrosion in an *approved* manner.

**506.3 Ducts serving Type I hoods.** Type I exhaust ducts shall be independent of all other exhaust systems except as provided in Section 506.3.5. Commercial kitchen duct systems serving

Type I hoods shall be designed, constructed and installed in accordance with Sections 506.3.1 through 506.3.12.3.

**506.3.1 Duct materials.** Ducts serving Type I hoods shall be constructed of materials in accordance with Sections 506.3.1.1 and 506.3.1.2.

**506.3.1.1 Grease duct materials.** Grease ducts serving Type I hoods shall be constructed of steel having a minimum thickness of 0.0575 inch (1.463 mm) (No. 16 gage) or stainless steel not less than 0.0450 inch (1.14 mm) (No. 18 gage) in thickness.

**Exception:** Factory-built commercial kitchen grease ducts *listed* and *labeled* in accordance with UL 1978 and installed in accordance with Section 304.1.

**506.3.1.2 Makeup air ducts.** *Makeup air* ducts connecting to or within 18 inches (457 mm) of a Type I hood shall be constructed and installed in accordance with Sections 603.1, 603.3, 603.4, 603.9, 603.10 and 603.12. Duct insulation installed within 18 inches (457 mm) of a Type I hood shall be noncombustible or shall be *listed* for the application.

**506.3.2 Joints, seams and penetrations of grease ducts.** Joints, seams and penetrations of grease ducts shall be made with a continuous liquid-tight weld or braze made on the external surface of the duct system.

**Exceptions:**

1. Penetrations shall not be required to be welded or brazed where sealed by devices that are *listed* for the application.
2. Internal welding or brazing shall not be prohibited provided that the joint is formed or ground smooth and is provided with ready access for inspection.
3. Factory-built commercial kitchen grease ducts *listed* and *labeled* in accordance with UL 1978 and installed in accordance with Section 304.1.

**506.3.2.1 Duct joint types.** Duct joints shall be butt joints, welded flange joints with a maximum flange depth of 1/2 inch (12.7 mm) or overlapping duct joints of either the telescoping or bell type. Overlapping joints shall be installed to prevent ledges and obstructions from collecting grease or interfering with gravity drainage to the intended collection point. The difference between the inside cross-sectional dimensions of overlapping sections of duct shall not exceed 1/4 inch (6 mm). The length of overlap for overlapping duct joints shall not exceed 2 inches (51 mm).

**506.3.2.2 Duct-to-hood joints.** Duct-to-hood joints shall be made with continuous internal or external liquid-tight welded or brazed joints. Such joints shall be smooth, accessible for inspection, and without grease traps.

**Exceptions:** This section shall not apply to:

1. A vertical duct-to-hood collar connection made in the top plane of the hood in accordance with all of the following:

- 1.1. The hood duct opening shall have a 1-inch-deep (25 mm), full perimeter, welded flange turned down into the hood interior at an angle of 90 degrees (1.57 rad) from the plane of the opening.
- 1.2. The duct shall have a 1-inch-deep (25 mm) flange made by a 1-inch by 1-inch (25 mm by 25 mm) angle iron welded to the full perimeter of the duct not less than 1 inch (25 mm) above the bottom end of the duct.
- 1.3. A gasket rated for use at not less than 1,500°F (815°C) is installed between the duct flange and the top of the hood.
- 1.4. The duct-to-hood joint shall be secured by stud bolts not less than 1/4 inch (6.4 mm) in diameter welded to the hood with a spacing not greater than 4 inches (102 mm) on center for the full perimeter of the opening. All bolts and nuts are to be secured with lockwashers.

2. *Listed* and *labeled* duct-to-hood collar connections installed in accordance with Section 304.1.

**506.3.2.3 Duct-to-exhaust fan connections.** Duct-to-exhaust fan connections shall be flanged and gasketed at the base of the fan for vertical discharge fans; shall be flanged, gasketed and bolted to the inlet of the fan for side-inlet utility fans; and shall be flanged, gasketed and bolted to the inlet and outlet of the fan for in-line fans.

**506.3.2.4 Vibration isolation.** A vibration isolation connector for connecting a duct to a fan shall consist of noncombustible packing in a metal sleeve joint of *approved* design or shall be a coated-fabric flexible duct connector *listed* and *labeled* for the application. Vibration isolation connectors shall be installed only at the connection of a duct to a fan inlet or outlet.

**506.3.2.5 Grease duct test.** Prior to the use or concealment of any portion of a grease duct system, a leakage test shall be performed. Ducts shall be considered to be concealed where installed in shafts or covered by coatings or wraps that prevent the ductwork from being visually inspected on all sides. The permit holder shall be responsible to provide the necessary *equipment* and perform the grease duct leakage test. A light test shall be performed to determine that all welded and brazed joints are liquid tight.

A light test shall be performed by passing a lamp having a power rating of not less than 100 watts through the entire section of ductwork to be tested. The lamp shall be open so as to emit light equally in all directions perpendicular to the duct walls. A test shall be performed for the entire duct system, including the hood-to-duct connection. The duct work shall be permitted to be tested in sections, provided that every joint is tested. For *listed* factory-built grease ducts, this test shall be limited to duct joints assembled in the field and shall exclude factory welds.

**506.3.3 Grease duct supports.** Grease duct bracing and supports shall be of noncombustible material securely attached to the structure and designed to carry gravity and seismic loads within the stress limitations of the *International Building Code*. Bolts, screws, rivets and other mechanical fasteners shall not penetrate duct walls.

**506.3.4 Air velocity.** Grease duct systems serving a Type I hood shall be designed and installed to provide an air velocity within the duct system of not less than 500 feet per minute (2.5 m/s).

**Exception:** The velocity limitations shall not apply within duct transitions utilized to connect ducts to differently sized or shaped openings in hoods and fans, provided that such transitions do not exceed 3 feet (914 mm) in length and are designed to prevent the trapping of grease.

**506.3.5 Separation of grease duct system.** A separate grease duct system shall be provided for each Type I hood. A separate grease duct system is not required where all of the following conditions are met:

1. All interconnected hoods are located within the same story.
2. All interconnected hoods are located within the same room or in adjoining rooms.
3. Interconnecting ducts do not penetrate assemblies required to be fire-resistance rated.
4. The grease duct system does not serve solid-fuel-fired appliances.

**506.3.6 Grease duct clearances.** Where enclosures are not required, grease duct systems and exhaust *equipment* serving a Type I hood shall have a *clearance* to combustible construction of not less than 18 inches (457 mm), and shall have a *clearance* to noncombustible construction and gypsum wallboard attached to noncombustible structures of not less than 3 inches (76 mm).

**Exceptions:**

1. Factory-built commercial kitchen grease ducts *listed* and *labeled* in accordance with UL 1978.
2. *Listed* and *labeled* exhaust *equipment* installed in accordance with Section 304.1.
3. Where commercial kitchen grease ducts are continuously covered on all sides with a *listed* and *labeled* field-applied grease duct enclosure material, system, product or method of construction specifically evaluated for such purpose in accordance with ASTM E 2336, the required *clearance* shall be in accordance with the listing of such material, system, product or method.

**506.3.7 Prevention of grease accumulation in grease ducts.** Duct systems serving a Type I hood shall be constructed and installed so that grease cannot collect in any portion thereof, and the system shall slope not less than one-fourth unit vertical in 12 units horizontal (2 percent slope) toward the hood or toward an *approved* grease reservoir. Where horizontal ducts exceed 75 feet (22 860 mm) in

length, the slope shall not be less than one unit vertical in 12 units horizontal (8.3 percent slope).

#### **506.3.8 Grease duct cleanouts and other openings.**

Grease duct systems shall not have openings therein other than those required for proper operation and maintenance of the system. Any portion of such system having sections not provided with access from the duct entry or discharge shall be provided with cleanout openings. Cleanout openings shall be equipped with tight-fitting doors constructed of steel having a thickness not less than that required for the duct. Doors shall be equipped with a substantial method of latching, sufficient to hold the door tightly closed. Door assemblies, including any frames and gasketing, shall be *approved* for the purpose, and shall not have fasteners that penetrate the duct. *Listed* and *labeled* access door assemblies shall be installed in accordance with the terms of the listing.

**506.3.8.1 Personnel entry.** Where ductwork is large enough to allow entry of personnel, not less than one *approved* or *listed* opening having dimensions not less than 22 inches by 20 inches (559 mm by 508 mm) shall be provided in the horizontal sections, and in the top of vertical risers. Where such entry is provided, the duct and its supports shall be capable of supporting the additional load, and the cleanouts specified in Section 506.3.8 are not required.

**506.3.8.2 Cleanouts serving in-line fans.** A cleanout shall be provided for both the inlet side and outlet side of an in-line fan except where a duct does not connect to the fan. Such cleanouts shall be located within 3 feet (914 mm) of the fan duct connections.

#### **506.3.9 Grease duct cleanout location, spacing and installation.**

**506.3.9.1 Grease duct horizontal cleanouts.** Cleanouts located on horizontal sections of ducts shall be spaced not more than 20 feet (6096 mm) apart. The cleanouts shall be located on the side of the duct with the opening not less than 1½ inches (38 mm) above the bottom of the duct, and not less than 1 inch (25 mm) below the top of the duct. The opening minimum dimensions shall be 12 inches (305 mm) on each side. Where the dimensions of the side of the duct prohibit the cleanout installation prescribed herein, the openings shall be on the top of the duct or the bottom of the duct. Where located on the top of the duct, the opening edges shall be a minimum of 1 inch (25 mm) from the edges of the duct. Where located in the bottom of the duct, cleanout openings shall be designed to provide internal damming around the opening, shall be provided with gasketing to preclude grease leakage, shall provide for drainage of grease down the duct around the dam and shall be *approved* for the application. Where the dimensions of the sides, top or bottom of the duct preclude the installation of the prescribed minimum-size cleanout opening, the cleanout shall be located on the duct face that affords the largest opening dimension and shall be installed with the opening edges at the prescribed distances from the duct edges as previously set forth in this section.

**[W] 506.3.9.2 Grease duct vertical cleanouts.** Where ducts pass vertically through floors, cleanouts shall be provided. A minimum of one cleanout shall be provided on each floor. Cleanout openings shall be not less than 1½ inches (38 mm) from all outside edges of the duct or welded seams. The opening minimum dimensions shall be 12 inches (305 mm) on each side.

**506.3.10 Grease duct enclosures.** A grease duct serving a Type I hood that penetrates a ceiling, wall or floor shall be enclosed from the point of penetration to the outlet terminal. A duct shall penetrate exterior walls only at locations where unprotected openings are permitted by the *International Building Code*. The duct enclosure shall serve a single grease duct and shall not contain other ducts, piping or wiring systems. Duct enclosures shall be either field-applied or factory-built. Duct enclosures shall have a fire-resistance rating not less than that of the floor assembly penetrated, but need not exceed 2 hours. Duct enclosures shall be as prescribed by Section 506.3.10.1, 506.3.10.2 or 506.3.10.3.

**506.3.10.1 Shaft enclosure.** Commercial kitchen grease ducts constructed in accordance with Section 506.3.1 shall be permitted to be enclosed in accordance with the *International Building Code* requirements for shaft construction. Such grease duct systems and exhaust equipment shall have a *clearance* to combustible construction of not less than 18 inches (457 mm), and shall have a *clearance* to noncombustible construction and gypsum wallboard attached to noncombustible structures of not less than 6 inches (76 mm). Duct enclosures shall be sealed around the duct at the point of penetration and vented to the outside of the building through the use of weather-protected openings.

**Interpretation:** Gypsum wallboard installed on a combustible substrate or on wood studs does not cause the wall to be considered as a noncombustible assembly, and the 18 inch minimum clearance still applies. The classification of combustible and noncombustible materials is not changed by the use of fire-retardant-treated wood products or fire-rated (Type "X") gypsum wallboard.

**506.3.10.2 Field-applied grease duct enclosure.** Commercial kitchen grease ducts constructed in accordance with Section 506.3.1 shall be enclosed by a field-applied grease duct enclosure that is a *listed* and *labeled* material, system, product or method of construction specifically evaluated for such purpose in accordance with ASTM E 2336. The surface of the duct shall be continuously covered on all sides from the point at which the duct originates to the outlet terminal. Duct penetrations shall be protected with a through-penetration firestop system classified in accordance with ASTM E 814 or UL 1479 and having an "F" and "T" rating equal to the fire-resistance rating of the assembly being penetrated. Such systems shall be installed in accordance with the listing and the manufacturer's installation instructions. Exposed duct wrap systems shall be protected where subject to physical damage.



**506.3.10.3 Factory-built grease duct assemblies.**

Factory-built grease duct assemblies incorporating integral enclosure materials shall be *listed* and *labeled* for use as commercial kitchen grease duct assemblies in accordance with UL 2221. Duct penetrations shall be protected with a through-penetration firestop system classified in accordance with ASTM E 814 or UL 1479 and having an “F” and “T” rating equal to the fire-resistance rating of the assembly being penetrated. Such assemblies shall be installed in accordance with the listing and the manufacturer’s installation instructions.

**506.3.10.4 Duct enclosure not required.** A duct enclosure shall not be required for a grease duct that penetrates only a nonfire-resistance-rated roof/ceiling assembly.

**506.3.11 Grease duct fire-resistive access opening.**

Where cleanout openings are located in ducts within a fire-resistance-rated enclosure, access openings shall be provided in the enclosure at each cleanout point. Access openings shall be equipped with tight-fitting sliding or hinged doors that are equal in fire-resistive protection to that of the shaft or enclosure. An *approved* sign shall be placed on access opening panels with wording as follows: “ACCESS PANEL. DO NOT OBSTRUCT.”

**506.3.12 Exhaust outlets serving Type I hoods.** Exhaust outlets for grease ducts serving Type I hoods shall conform to the requirements of Sections 506.3.12.1 through 506.3.12.3.

**506.3.12.1 Termination above the roof.** Exhaust outlets that terminate above the roof shall have the discharge opening located not less than 40 inches (1016 mm) above the roof surface.

**506.3.12.2 Termination through an exterior wall.** Exhaust outlets shall be permitted to terminate through exterior walls where the smoke, grease, gases, vapors and odors in the discharge from such terminations do not create a public nuisance or a fire hazard. Such terminations shall not be located where protected openings are required by the *International Building Code*. Other exterior openings shall not be located within 3 feet (914 mm) of such terminations.

**Note:** See Director’s Rule 6-2005, or any rule superseding Director’s Rule 6-2005, for additional requirements.

**506.3.12.3 Termination location.** Exhaust outlets shall be located not less than 10 feet (3048 mm) horizontally from parts of the same or contiguous buildings, adjacent buildings and adjacent property lines and shall be located not less than 10 feet (3048 mm) above the adjoining grade level. Exhaust outlets shall be located not less than 10 feet (3048 mm) horizontally from or not less than 3 feet (914 mm) above air intake openings into any building.

**Exception:** Exhaust outlets shall terminate not less than 5 feet (1524 mm) from parts of the same or contiguous building, an adjacent building, adjacent prop-

erty line and air intake openings into a building where air from the exhaust outlet discharges away from such locations.

**Interpretation:** For purposes of this section, property line includes any property line separating one lot from another lot, but does not include any property line separating a lot from a public street or alley right-of-way.

**506.4 Ducts serving Type II hoods.** Single or combined Type II exhaust systems for food-processing operations shall be independent of all other exhaust systems. Commercial kitchen exhaust systems serving Type II hoods shall comply with Sections 506.4.1 and 506.4.2.

**506.4.1 Ducts.** Ducts and plenums serving Type II hoods shall be constructed of rigid metallic materials. Duct construction, installation, bracing and supports shall comply with Chapter 6. A duct serving a Type II hood that penetrates a fire-resistance-rated ceiling, floor or wall shall be enclosed in a duct enclosure from the point of penetration to the outlet terminal. Ducts subject to positive pressure and ducts conveying moisture-laden or waste-heat-laden air shall be constructed, joined and sealed in an *approved* manner.

**506.4.2 Type II terminations.** Exhaust outlets serving Type II hoods shall terminate in accordance with the hood manufacturer’s installation instructions and shall comply with all of the following:

1. Exhaust outlets shall terminate not less than 3 feet (914 mm) in any direction from openings into the building.
2. Outlets shall terminate not less than 10 feet (3048 mm) from property lines or buildings on the same lot.
3. Outlets shall terminate not less than 10 feet (3048 mm) above grade.
4. Outlets that terminate above a roof shall terminate not less than 30 inches (762 mm) above the roof surface.
5. Outlets shall terminate not less than 30 inches (762 mm) from exterior vertical walls
6. Outlets shall be protected against local weather conditions.
7. Outlets shall not be directed onto walkways.
8. Outlets shall meet the provisions for exterior wall opening protectives in accordance with the *International Building Code*.

**506.5 Exhaust equipment.** Exhaust *equipment*, including fans and grease reservoirs, shall comply with Sections 506.5.1 through 506.5.5 and shall be of an *approved* design or shall be *listed* for the application.

**506.5.1 Exhaust fans.** Exhaust fan housings serving a Type I hood shall be constructed as required for grease ducts in accordance with Section 506.3.1.1.

**Exception:** Fans *listed* and *labeled* in accordance with UL 762.

**506.5.1.1 Fan motor.** Exhaust fan motors shall be located outside of the exhaust airstream.



**506.5.2 Exhaust fan discharge.** Exhaust fans shall be positioned so that the discharge will not impinge on the roof, other *equipment* or appliances or parts of the structure. A vertical discharge fan shall be manufactured with an *approved* drain outlet at the lowest point of the housing to permit drainage of grease to an *approved* grease reservoir.

**506.5.3 Exhaust fan mounting.** An upblast fan shall be hinged and supplied with a flexible weatherproof electrical cable to permit inspection and cleaning. The ductwork shall extend a minimum of 18 inches (457 mm) above the roof surface.

**506.5.4 Clearances.** Exhaust *equipment* serving a Type I hood shall have a *clearance* to combustible construction of not less than 18 inches (457 mm).

**Exception:** Factory-built exhaust *equipment* installed in accordance with Section 304.1 and *listed* for a lesser *clearance*.

**506.5.5 Termination location.** The outlet of exhaust *equipment* serving Type I hoods shall be in accordance with Section 506.3.12.

**Exception:** The minimum horizontal distance between vertical discharge fans and parapet-type building structures shall be 2 feet (610 mm) provided that such structures are not higher than the top of the fan discharge opening.

## SECTION 507 COMMERCIAL KITCHEN HOODS

**507.1 General.** Commercial kitchen exhaust hoods shall comply with the requirements of this section. Hoods shall be Type I or II and shall be designed to capture and confine cooking vapors and residues. Commercial kitchen exhaust hood systems shall operate during the cooking operation.

### Exceptions:

1. Factory-built commercial exhaust hoods which are tested in accordance with UL 710, *listed*, *labeled* and installed in accordance with Section 304.1 shall not be required to comply with Sections 507.4, 507.7, 507.11, 507.12, 507.13, 507.14 and 507.15.
2. Factory-built commercial cooking recirculating systems which are tested in accordance with UL 710B, *listed*, *labeled* and installed in accordance with Section 304.1 shall not be required to comply with Sections 507.4, 507.5, 507.7, 507.12, 507.13, 507.14 and 507.15. Spaces in which such systems are located shall be considered to be kitchens and shall be ventilated in accordance with Table 403.3. For the purpose of determining the floor area required to be ventilated, each individual *appliance* shall be considered as occupying not less than 100 square feet (9.3 m<sup>2</sup>).
3. Net exhaust volumes for hoods shall be permitted to be reduced during part-load cooking conditions, where engineered or *listed* multispeed or variable-speed controls automatically operate the exhaust system to maintain capture and removal of cooking effluents as required by this section. Reduced vol-

umes shall not be below that required to maintain capture and removal of effluents from the idle cooking appliances that are operating in a standby mode.

**507.2 Where required.** A Type I or Type II hood shall be installed at or above all *commercial cooking appliances* in accordance with Table 507.2(1) and Sections 507.2.1 and 507.2.2. Where any cooking *appliance* under a single hood requires a Type I hood, a Type I hood shall be installed. Where a Type II hood is required, a Type I or Type II hood shall be installed.

**507.2.1 Type I hoods.** Type I hoods shall be installed where cooking *appliances* produce grease or smoke. Type I hoods shall be installed over *medium-duty*, *heavy-duty* and *extra-heavy-duty cooking appliances*. Type I hoods shall be installed over *light-duty cooking appliances* that produce grease or smoke.

**[W] Exception:** A Type I hood is not required in Group R-2 occupancies with not more than 16 residents.

**507.2.1.1 Operation.** Type I hood systems shall be designed and installed to automatically activate the exhaust fan whenever cooking operations occur. The activation of the exhaust fan shall occur through an interlock with the cooking appliances, by means of heat sensors or by means of other *approved* methods.

**507.2.2 Type II hoods.** Type II hoods shall be installed for collecting and removing steam, vapor, heat or odors from ((above)) dishwashers and *light-duty cooking appliances* that produce heat or moisture and do not produce grease or smoke, except where the heat and moisture loads from such appliances are incorporated into the HVAC system design or into the design of a separate removal system. Type II hoods shall be installed for collecting and removing steam, vapor, heat or odors from ((above)) all *light-duty appliances* that produce products of *combustion* and do not produce grease or smoke. Spaces containing cooking appliances that do not require Type II hoods shall be ventilated in accordance with Section 403.3. For the purpose of determining the floor area required to be ventilated, each individual *appliance* that is not required to be installed under a Type II hood shall be considered as occupying not less than 100 square feet (9.3 m<sup>2</sup>).

**507.2.3 Domestic cooking appliances used for commercial purposes.** Domestic cooking appliances utilized for commercial purposes shall be provided with Type I ((or)) Type II or *residential* hoods ((as required for the type of appliances and processes)) in accordance with Table 507.2(2) and Sections 507.2, 507.2.1 and 507.2.2.

**507.2.4 Extra-heavy-duty.** Type I hoods for use over *extra-heavy-duty cooking appliances* shall not cover *heavy-*, *medium-* or *light-duty appliances*. Such hoods shall discharge to an exhaust system that is independent of other exhaust systems.

**Note:** The definition of extra-heavy-duty cooking appliance includes appliances using solid fuel.

**507.3 Fuel-burning appliances.** Where vented fuel-burning appliances are located in the same room or space as the hood, provisions shall be made to prevent the hood system from interfering with normal operation of the *appliance* vents.

**TABLE 507.2.1  
TYPE OF HOOD REQUIRED  
FOR COMMERCIAL COOKING APPLIANCES**

TYPE OF APPLIANCE <sup>1</sup>	TYPE OF HOOD REQUIRED <sup>2</sup>		
	TYPE I <sup>3</sup>	TYPE II	NONE
Baking oven	Solid fuel	> 6 kW	≤ 6 kW
Charbroiler	All sizes		
Coffee maker		> 6 kW	≤ 6 kW
Coffee roaster <sup>4</sup>		All sizes	
Convection ovens (electric)		> 6 kW	≤ 6 kW
Deep-fat fryer	All sizes		
Dishwasher		> 140°F	≤ 140°F
Grill	All sizes		
Hot dog display heater		> 6 kW	≤ 6 kW
Microwave oven			All sizes
Pastry oven		> 6 kW	≤ 6 kW
Pizza oven	Solid fuel	> 6 kW	≤ 6 kW
Popcorn maker		> 6 kW	≤ 6 kW
Roasting oven <sup>5</sup>	> 6 kW	≤ 6 kW	
Roll warmer		> 6 kW	≤ 6 kW
Solid-fuel-burning appliances	All sizes & all food products		
Soup warmer, soup preparation cooking unit		> 6 kW	≤ 6 kW
Steam reconstitution device		> 6 kW	≤ 6 kW
Steam table		> 6 kW	≤ 6 kW
Steamer		> 6 kW	≤ 6 kW
Toaster		> 6 kW	≤ 6 kW
Warming oven		> 6 kW	≤ 6 kW

For SI: °C = (F-32)/1.8.

1. The code official shall determine hood requirements for appliances not listed in the table.
2. Section 507.2 defines Type I and Type II kitchen hoods.
3. The definition of extra-heavy-duty cooking appliance includes all appliances utilizing solid fuel.
4. Puget Sound pollution control requires an after-burner for particulates.
5. Roasting ovens are used to cook raw or partially cooked food.

**507.4 Type I materials.** Type I hoods shall be constructed of steel having a minimum thickness of 0.0466 inch (1.181 mm) (No. 18 gage) or stainless steel not less than 0.0335 inch [0.8525 mm (No. 20 MSG)] in thickness.

**507.5 Type II hood materials.** Type II hoods shall be constructed of steel having a minimum thickness of 0.0296 inch (0.7534 mm) (No. 22 gage) or stainless steel not less than 0.0220 inch (0.5550 mm) (No. 24 gage) in thickness, copper sheets weighing not less than 24 ounces per square foot (7.3 kg/m<sup>2</sup>) or of other *approved* material and gage.

**507.6 Supports.** Type I hoods shall be secured in place by non-combustible supports. All Type I and Type II hood supports shall be adequate for the applied load of the hood, the unsupported ductwork, the effluent loading and the possible weight of personnel working in or on the hood.

**507.7 Hood joints, seams and penetrations.** Hood joints, seams and penetrations shall comply with Sections 507.7.1 and 507.7.2.

**TABLE 507.2.2  
TYPE OF HOOD REQUIRED FOR DOMESTIC COOKING  
APPLIANCES<sup>1,2</sup> IN THE FOLLOWING SPACES**

TYPE OF SPACE	TYPE OF COOKING	TYPE OF HOOD
Church	1) boiling, steaming and warming precooked food	Type II hood
	2) roasting, pan frying and deep frying	Type I hood
Community or party room in apartment and condominium	1) boiling, steaming and warming precooked food	Residential hood <sup>3</sup> or Type II <sup>4</sup>
	2) roasting, pan frying and deep frying	Type I
Day care	1) boiling, steaming and warming precooked food	Residential hood <sup>3</sup> or Type II <sup>4</sup>
	2) roasting, pan frying and deep frying	Type I
Dormitory, boarding home, nursing home	1) boiling, steaming and warming precooked food	Type II
	2) roasting, pan frying and deep frying	Type I
Office lunch room	1) boiling, steaming and warming precooked food	Residential hood <sup>3</sup> or Type II <sup>4</sup>
	2) roasting, pan frying and deep frying	Type I

1. Commercial cooking appliances shall comply with Section 507.2.
2. Requirements in this table apply to electric or gas fuel appliances only. Solid fuel appliances or charbroilers require Type I hood.
3. Residential hood shall vent to outside.
4. Type II hood required when more than one appliance is used.

**507.7.1 Type I hoods.** External hood joints, seams and penetrations for Type I hoods shall be made with a continuous external liquid-tight weld or braze to the lowest outermost perimeter of the hood. Internal hood joints, seams, penetrations, filter support frames and other appendages attached inside the hood shall not be required to be welded or brazed but shall be otherwise sealed to be grease tight.

**Exceptions:**

1. Penetrations shall not be required to be welded or brazed where sealed by devices that are *listed* for the application.
2. Internal welding or brazing of seams, joints and penetrations of the hood shall not be prohibited provided that the joint is formed smooth or ground so as to not trap grease, and is readily cleanable.

**507.7.2 Type II hoods.** Joints, seams and penetrations for Type II hoods shall be constructed as set forth in Chapter 6, shall be sealed on the interior of the hood and shall provide a smooth surface that is readily cleanable and water tight.

**507.8 Cleaning and grease gutters.** A hood shall be designed to provide for thorough cleaning of the entire hood. Grease gutters shall drain to an *approved* collection receptacle that is fabricated, designed and installed to allow access for cleaning.

**507.9 Clearances for Type I hood.** A Type I hood shall be installed with a *clearance* to combustibles of not less than 18 inches (457 mm).

**Exception:** *Clearance* shall not be required from gypsum wallboard or 1/2-inch (12.7 mm) or thicker cementitious wallboard attached to noncombustible structures provided

that a smooth, cleanable, nonabsorbent and noncombustible material is installed between the hood and the gypsum or cementitious wallboard over an area extending not less than 18 inches (457 mm) in all directions from the hood.

**507.10 Hoods penetrating a ceiling.** Type I hoods or portions thereof penetrating a ceiling, wall or furred space shall comply with all the requirements of Section 506.3.10.

**507.11 Grease filters.** Type I hoods shall be equipped with *listed* grease filters designed for the specific purpose. Grease-collecting *equipment* shall be provided with access for cleaning. The lowest edge of a grease filter located above the cooking surface shall be not less than the height specified in Table 507.11.

**TABLE 507.11  
MINIMUM DISTANCE BETWEEN THE  
LOWEST EDGE OF A GREASE FILTER AND THE COOKING  
SURFACE OR THE HEATING SURFACE**

TYPE OF COOKING APPLIANCES	HEIGHT ABOVE COOKING SURFACE (feet)
Without exposed flame	0.5
Exposed flame and burners	2
Exposed charcoal and charbroil type	3.5

For SI: 1 foot = 304.8 mm.

**507.11.1 Criteria.** Filters shall be of such size, type and arrangement as will permit the required quantity of air to pass through such units at rates not exceeding those for which the filter or unit was designed or *approved*. Filter units shall be installed in frames or holders so as to be readily removable without the use of separate tools, unless designed and installed to be cleaned in place and the system is equipped for such cleaning in place. Removable filter units shall be of a size that will allow them to be cleaned in a dishwashing machine or pot sink. Filter units shall be arranged in place or provided with drip-intercepting devices to prevent grease or other condensate from dripping into food or on food preparation surfaces.

**507.11.2 Mounting position.** Filters shall be installed at an angle of not less than 45 degrees (0.79 rad) from the horizontal and shall be equipped with a drip tray beneath the lower edge of the filters.

**507.12 Canopy size and location.** The inside lower edge of canopy-type Type I and II commercial hoods shall overhang or extend a horizontal distance of not less than 6 inches (152 mm) beyond the edge of the top horizontal surface of the *appliance* on all open sides. The vertical distance between the front lower lip of the hood and such surface shall not exceed 4 feet (1219 mm).

**Exception:** The hood shall be permitted to be flush with the outer edge of the cooking surface where the hood is closed to the *appliance* side by a noncombustible wall or panel.

**507.13 Capacity of hoods.** Commercial food service hoods shall exhaust a minimum net quantity of air determined in accordance with this section and Sections 507.13.1 through 507.13.4. The net quantity of *exhaust air* shall be calculated by

subtracting any airflow supplied directly to a hood cavity from the total exhaust flow rate of a hood. Where any combination of *heavy-duty*, *medium-duty* and *light-duty cooking appliances* are utilized under a single hood, the exhaust rate required by this section for the heaviest duty *appliance* covered by the hood shall be used for the entire hood.

**507.13.1 Extra-heavy-duty (solid fuel) cooking appliances.** The minimum net airflow for hoods, as determined by Section 507.2, used for *extra-heavy-duty cooking appliances* shall be determined as follows:

Type of Hood	CFM per linear foot of hood
Backshelf/pass-over	Not allowed
Double island canopy (per side)	550
Eyebrow	Not allowed
Single island canopy	700
Wall-mounted canopy	550

For SI: 1 cfm per linear foot = 1.55 L/s per linear meter.

**507.13.2 Heavy-duty cooking appliances.** The minimum net airflow for hoods, as determined by Section 507.2, used for *heavy-duty cooking appliances* shall be determined as follows:

Type of Hood	CFM per linear foot of hood
Backshelf/pass-over	400
Double island canopy (per side)	400
Eyebrow	Not allowed
Single island canopy	600
Wall-mounted canopy	400

For SI: 1 cfm per linear foot = 1.55 L/s per linear meter.

**507.13.3 Medium-duty cooking appliances.** The minimum net airflow for hoods, as determined by Section 507.2, used for *medium-duty cooking appliances* shall be determined as follows:

Type of Hood	CFM per linear foot of hood
Backshelf/pass-over	300
Double island canopy (per side)	300
Eyebrow	250
Single island canopy	500
Wall-mounted canopy	300

For SI: 1 cfm per linear foot = 1.55 L/s per linear meter.

**507.13.4 Light-duty cooking appliances.** The minimum net airflow for hoods, as determined by Section 507.2, used for *light-duty cooking appliances* and food service preparation shall be determined as follows:

Type of Hood	CFM per linear foot of hood
Backshelf/pass-over	250
Double island canopy (per side)	250
Eyebrow	250
Single island canopy	400
Wall-mounted canopy	200

For SI: 1 cfm per linear foot = 1.55 L/s per linear meter.



**507.13.5 Dishwashing appliances.** The minimum net airflow for Type II hoods used for dishwashing appliances shall be 100 CFM per linear foot of hood length.

**Exception:** Dishwashing appliances and *equipment* installed in accordance with Section 507.2.2.

**507.14 Noncanopy size and location.** Noncanopy-type hoods shall be located a maximum of 3 feet (914 mm) above the cooking surface. The edge of the hood shall be set back a maximum of 1 foot (305 mm) from the edge of the cooking surface.

**507.15 Exhaust outlets.** Exhaust outlets located within the hood shall be located so as to optimize the capture of particulate matter. Each outlet shall serve not more than a 12-foot (3658 mm) section of hood.

**507.16 Performance test.** A performance test shall be conducted upon completion and before final approval of the installation of a ventilation system serving *commercial cooking appliances*. The test shall verify the rate of exhaust airflow required by Section 507.13, makeup airflow required by Section 508 and proper operation as specified in this chapter. The permit holder shall furnish the necessary test *equipment* and devices required to perform the tests.

**507.16.1 Capture and containment test.** The permit holder shall verify capture and containment performance of the exhaust system. This field test shall be conducted with all appliances under the hood at operating temperatures, with all sources of outdoor air providing *makeup air* for the hood operating and with all sources of recirculated air providing conditioning for the space in which the hood is located operating. Capture and containment shall be verified visually by observing smoke or steam produced by actual or simulated cooking, such as with smoke candles, smoke puffers, etc.

## SECTION 508 COMMERCIAL KITCHEN MAKEUP AIR

**508.1 Makeup air.** *Makeup air* shall be supplied during the operation of commercial kitchen exhaust systems that are provided for *commercial cooking appliances*. ~~((The amount of *makeup air* supplied to the building from all sources shall be approximately equal to the amount of *exhaust air* for all exhaust systems for the building.))~~ A separate *makeup air* system for the kitchen shall supply not less than 90 percent of the air to be exhausted. The *makeup air* shall not reduce the effectiveness of the exhaust system. *Makeup air* shall be provided by gravity or mechanical means or both. Mechanical *makeup air* systems shall be automatically controlled to start and operate simultaneously with the exhaust system. Exterior windows and doors shall not be used to provide commercial kitchen *makeup air*. When individual kitchen hoods are designed to exhaust greater than 5000 cfm, refer to *Washington State Energy Code with Seattle Amendments*, Section 1439.1 for additional *makeup air* system requirements. *Makeup air* intake opening locations shall comply with Section 401.4.

### Exceptions:

1. The total *makeup air* for the exhaust system is less than 400 cfm; or

2. In atriums, food courts, and similar areas, occupant *ventilation air* that would otherwise exfiltrate or be exhausted by other mechanical exhaust systems may be used to provide all *makeup air*, or a portion of *makeup air* when a direct path through permanent openings exists for occupant *ventilation air* to transfer to the kitchen hood area. That portion of air not supplied by occupant *ventilation air* shall be provided by a separate *makeup air* system. The combined air quantity provided by a separate *makeup air* system and occupant *ventilation air* shall provide 100 percent of the air to be exhausted.

**508.1.1 Makeup air temperature.** The temperature differential between *makeup air* and the air in the conditioned space shall not exceed 10°F (6°C) if the amount of *makeup air* supply exceeds 2,500 cfm (1180 L/s) per space except where the added heating and cooling loads of the *makeup air* do not exceed the capacity of the HVAC system.

**508.2 Compensating hoods.** Manufacturers of compensating hoods shall provide a label indicating minimum exhaust flow and/or maximum makeup airflow that provides capture and containment of the exhaust effluent.

**Exception:** Compensating hoods with *makeup air* supplied only from the front face discharge and side face discharge openings shall not be required to be labeled with the maximum makeup airflow.

## SECTION 509 FIRE SUPPRESSION SYSTEMS

**509.1 Where required.** *Commercial cooking appliances* required by Section 507.2.1 to have a Type I hood shall be provided with an *approved* automatic fire suppression system complying with the *International Building Code* and the *International Fire Code*.

## SECTION 510 HAZARDOUS EXHAUST SYSTEMS

**510.1 General.** This section shall govern the design and construction of duct systems for hazardous exhaust and shall determine where such systems are required. Hazardous exhaust systems are systems designed to capture and control hazardous emissions generated from product handling or processes, and convey those emissions to the outdoors. Hazardous emissions include flammable vapors, gases, fumes, mists or dusts, and volatile or airborne materials posing a health hazard, such as toxic or corrosive materials. For the purposes of this section, the health hazard rating of materials shall be as specified in NFPA 704.

For the purposes of the provisions of Section 510, a laboratory shall be defined as a facility where the use of chemicals is related to testing, analysis, teaching, research or developmental activities. Chemicals are used or synthesized on a nonproduction basis, rather than in a manufacturing process.

**510.2 Where required.** A hazardous exhaust system shall be required wherever operations involving the handling or processing of hazardous materials, in the absence of such exhaust



systems and under normal operating conditions, have the potential to create one of the following conditions:

1. A flammable vapor, gas, fume, mist or dust is present in concentrations exceeding 25 percent of the lower flammability limit of the substance for the expected room temperature.
2. A vapor, gas, fume, mist or dust with a health-hazard rating of 4 is present in any concentration.
3. A vapor, gas, fume, mist or dust with a health-hazard rating of 1, 2 or 3 is present in concentrations exceeding 1 percent of the median lethal concentration of the substance for acute inhalation toxicity.

~~((**Exception:** Laboratories, as defined in Section 510.1, except where the concentrations listed in Item 1 are exceeded or a vapor, gas, fume, mist or dust with a health-hazard rating of 1, 2, 3 or 4 is present in concentrations exceeding 1 percent of the median lethal concentration of the substance for acute inhalation toxicity.))~~

In lieu of complying with this section, research and educational laboratories are permitted to comply with rules adopted by the Director for laboratory exhaust systems for hazardous materials.

**Note:** See Director's Rule 30-2005, or any rule superseding Director's Rule 30-2005 for alternate provisions for research and education laboratories.

**[F] 510.2.1 Lumber yards and woodworking facilities.** *Equipment* or machinery located inside buildings at lumber yards and woodworking facilities which generates or emits combustible dust shall be provided with an *approved* dust-collection and exhaust system installed in conformance with this section and the *International Fire Code*. *Equipment* and systems that are used to collect, process or convey combustible dusts shall be provided with an *approved* explosion-control system.

**[F] 510.2.2 Combustible fibers.** *Equipment* or machinery within a building which generates or emits combustible fibers shall be provided with an *approved* dust-collecting and exhaust system. Such systems shall comply with this code and the *International Fire Code*.

**510.2.3 Model shops and other intermittent use facilities.** Equipment or machinery located inside buildings that emit dust but are used on an intermittent basis, such as in model shops, research and development facilities, hobby, and other non-production uses, shall be provided with a local, point of use dust collection system. The dust collector is permitted to be a portable type with high efficiency filters to allow exhaust air to be discharged back into the space. Such collectors are not required to be provided with an approved explosion-control system. Such systems shall be limited to no more than 1,000 cfm.

**510.3 Design and operation.** The design and operation of the exhaust system shall be such that flammable contaminants are diluted in noncontaminated air to maintain concentrations in the exhaust flow below 25 percent of the contaminant's lower flammability limit.

**510.4 Independent system.** Hazardous exhaust systems shall be independent of other types of exhaust systems. Incompatible materials, as defined in the *International Fire Code*, shall not be exhausted through the same hazardous exhaust system. Hazardous exhaust systems shall not share common shafts with other duct systems, except where such systems are hazardous exhaust systems originating in the same fire area.

**Exception:** The provision of this section shall not apply to laboratory exhaust systems where all of the following conditions apply:

1. All of the hazardous exhaust ductwork and other laboratory exhaust within both the occupied space and the shafts are under negative pressure while in operation.
2. The hazardous exhaust ductwork manifolded together within the occupied space must originate within the same fire area.
3. Each control branch has a flow regulating device.
4. Perchloric acid hoods and connected exhaust shall be prohibited from manifolding.
5. Radioisotope hoods are equipped with filtration and/or carbon beds where required by the *registered design professional*.
6. Biological safety cabinets are filtered.
7. Provision is made for continuous maintenance of negative static pressure in the ductwork.

Contaminated air shall not be recirculated to occupiable areas. Air containing explosive or flammable vapors, fumes or dusts; flammable, highly toxic or toxic gases; or radioactive material shall be considered to be contaminated.

**510.5 Design.** Systems for removal of vapors, gases and smoke shall be designed by the constant velocity or equal friction methods. Systems conveying particulate matter shall be designed employing the constant velocity method.

**510.5.1 Balancing.** Systems conveying explosive or radioactive materials shall be prebalanced by duct sizing. Other systems shall be balanced by duct sizing with balancing devices, such as dampers. Dampers provided to balance airflow shall be provided with securely fixed minimum-position blocking devices to prevent restricting flow below the required volume or velocity.

**510.5.2 Emission control.** The design of the system shall be such that the emissions are confined to the area in which they are generated by air currents, hoods or enclosures and shall be exhausted by a duct system to a safe location or treated by removing contaminants.

**510.5.3 Hoods required.** Hoods or enclosures shall be used where contaminants originate in a limited area of a space. The design of the hood or enclosure shall be such that air currents created by the exhaust systems will capture the contaminants and transport them directly to the exhaust duct.

**510.5.4 Contaminant capture and dilution.** The velocity and circulation of air in work areas shall be such that contaminants are captured by an airstream at the area where the emissions are generated and conveyed into a product-conveying duct system. Contaminated air from work areas

where hazardous contaminants are generated shall be diluted below the thresholds specified in Section 510.2 with air that does not contain other hazardous contaminants.

**510.5.5 Makeup air.** *Makeup air* shall be provided at a rate approximately equal to the rate that air is exhausted by the hazardous exhaust system. *Makeup-air* intakes shall be located so as to avoid recirculation of contaminated air.

**510.5.6 Clearances.** The minimum *clearance* between hoods and combustible construction shall be the *clearance* required by the duct system.

**510.5.7 Ducts.** Hazardous exhaust duct systems shall extend directly to the exterior of the building and shall not extend into or through ducts and plenums.

**510.6 Penetrations.** Penetrations of structural elements by a hazardous exhaust system shall conform to Sections 510.6.1 through 510.6.4.

**Exception:** Duct penetrations within H-5 occupancies as allowed by the *International Building Code*.

**510.6.1 Fire dampers and smoke dampers.** Fire dampers and smoke dampers are prohibited in hazardous exhaust ducts.

**510.6.2 Floors.** Hazardous exhaust systems that penetrate a floor/ceiling assembly shall be enclosed in a fire-resistance-rated shaft constructed in accordance with the *International Building Code*.

**510.6.3 Wall assemblies.** Hazardous exhaust duct systems that penetrate fire-resistance-rated wall assemblies shall be enclosed in fire-resistance-rated construction from the point of penetration to the outlet terminal, except where the interior of the duct is equipped with an approved automatic fire suppression system. Ducts shall be enclosed in accordance with the *International Building Code* requirements for shaft construction and such enclosure shall have a minimum fire-resistance-rating of not less than the highest fire-resistance-rated wall assembly penetrated.

**510.6.4 Fire walls.** Ducts shall not penetrate a fire wall.

**510.7 Suppression required.**

**510.7.1 Ducts.** Ducts shall be protected with an *approved* automatic fire suppression system installed in accordance with the *International Building Code*.

**Exceptions:**

1. An *approved* automatic fire suppression system shall not be required in ducts conveying materials, fumes, mists and vapors that are nonflammable and noncombustible under all conditions and at any concentrations.
2. An *approved* automatic fire suppression system shall not be required in ducts where the largest cross-sectional diameter of the duct is less than 10 inches (254 mm).
3. For laboratories, as defined in Section 510.1, automatic fire protection systems shall not be required in laboratory hoods or exhaust systems.
4. An *approved* automatic fire suppression system is not required in metallic ducts if all fume hoods

...served by the duct are equipped with an *approved* fire suppression system.

**510.7.2 Fume hoods.** *Approved* automatic fire suppression shall be installed in fume hoods within which operations are conducted involving hazardous materials that have the potential to create a flammable vapor, gas, fume, mist, or dust in concentrations exceeding 25 percent of the lower flammability limit of the substance or mixture for the expected room temperature in the absence of the fume hood and under normal operating conditions.

**510.8 Duct construction.** Ducts used to convey hazardous exhaust shall be constructed of *approved* G90 galvanized sheet steel, with a minimum nominal thickness as specified in Table 510.8. Nonmetallic ducts used in systems exhausting nonflammable corrosive fumes or vapors shall be *listed* and *labeled*.

Nonmetallic ducts shall have a flame spread index of 25 or less and a smoke-developed index of 50 or less, when tested in accordance with ASTM E 84 or UL 723. Ducts shall be *approved* for installation in such an exhaust system. Where the products being exhausted are detrimental to the duct material, the ducts shall be constructed of alternative materials that are compatible with the exhaust.

**TABLE 510.8  
MINIMUM DUCT THICKNESS**

DIAMETER OF DUCT OR MAXIMUM SIDE DIMENSION	MINIMUM NOMINAL THICKNESS		
	Nonabrasive materials	Nonabrasive/ Abrasive materials	Abrasive materials
0-8 inches	0.028 inch (No. 24 gage)	0.034 inch (No. 22 gage)	0.040 inch (No. 20 gage)
9-18 inches	0.034 inch (No. 22 gage)	0.040 inch (No. 20 gage)	0.052 inch (No. 18 gage)
19-30 inches	0.040 inch (No. 20 gage)	0.052 inch (No. 18 gage)	0.064 inch (No. 16 gage)
Over 30 inches	0.052 inch (No. 18 gage)	0.064 inch (No. 16 gage)	0.079 inch (No. 14 gage)

For SI: 1 inch = 25.4 mm.

**510.8.1 Duct joints.** Ducts shall be made tight with lap joints having a minimum lap of 1 inch (25 mm).

**510.8.2 Clearance to combustibles.** Ducts shall have a *clearance* to combustibles in accordance with Table 510.8.2. Exhaust gases having temperatures in excess of 600°F (316°C) shall be exhausted to a *chimney* in accordance with Section 511.2.

**TABLE 510.8.2  
CLEARANCE TO COMBUSTIBLES**

TYPE OF EXHAUST OR TEMPERATURE OF EXHAUST (°F)	CLEARANCE TO COMBUSTIBLES (inches)
Less than 100	1
100-600	12
Flammable vapors	6

For SI: 1 inch = 25.4 mm, °C = [(°F)- 32]/1.8.

**510.8.3 Explosion relief.** Systems exhausting potentially explosive mixtures shall be protected with an *approved* explosion relief system or by an *approved* explosion prevention system designed and installed in accordance with NFPA 69. An explosion relief system shall be designed to

minimize the structural and mechanical damage resulting from an explosion or deflagration within the exhaust system. An explosion prevention system shall be designed to prevent an explosion or deflagration from occurring.

**510.9 Supports.** Ducts shall be supported at intervals not exceeding 10 feet (3048 mm). Supports shall be constructed of noncombustible material.

**SECTION 511  
DUST, STOCK AND REFUSE  
CONVEYING SYSTEMS**

**511.1 Dust, stock and refuse conveying systems.** Dust, stock and refuse conveying systems shall comply with the provisions of Section 510 and Sections 511.1.1 through 511.2.

**511.1.1 Collectors and separators.** Collectors and separators involving such systems as centrifugal separators, bag filter systems and similar devices, and associated supports shall be constructed of noncombustible materials and shall be located on the exterior of the building or structure. A collector or separator shall not be located nearer than 10 feet (3048 mm) to combustible construction or to an unprotected wall or floor opening, unless the collector is provided with a metal vent pipe that extends above the highest part of any roof with a distance of 30 feet (9144 mm). The dust collecting equipment shall be interlocked with the machinery power supply so that the machinery cannot be operated without the dust-collection equipment also operating.

**Exceptions:**

1. Collectors such as “Point of Use” collectors, close extraction weld fume collectors, spray finishing booths, stationary grinding tables, sanding booths, and integrated or machine-mounted collectors shall be permitted to be installed indoors provided the installation is in accordance with the *International Fire Code* and ((NFPA-70)) *the Seattle Electrical Code*.

2. Collectors in independent exhaust systems handling combustible dusts shall be permitted to be installed indoors provided that such collectors are installed in compliance with the *International Fire Code* and ((NFPA-70)) *the Seattle Electrical Code*.

**511.1.2 Discharge pipe.** Discharge piping shall conform to the requirements for ducts, including clearances required for high-heat appliances, as contained in this code. A delivery pipe from a cyclone collector shall not convey refuse directly into the firebox of a boiler, furnace, dutch oven, refuse burner, incinerator or other *appliance*.

**511.1.3 Conveying systems exhaust discharge.** An exhaust system shall discharge to the outside of the building either directly by flue or indirectly through the bin or vault into which the system discharges except where the contaminants have been removed. Exhaust system discharge shall be permitted to be recirculated provided that the solid particulate has been removed at a minimum efficiency of 99.9 percent at 10 microns (10.01 mm), vapor concentrations are less than 25 percent of the LFL, and *approved equipment* is used to monitor the vapor concentration.

**511.1.4 Spark protection.** The outlet of an open-air exhaust terminal shall be protected with an *approved* metal or other noncombustible screen to prevent the entry of sparks.

**511.1.5 Explosion relief vents.** A safety or explosion relief vent shall be provided on all systems that convey combustible refuse or stock of an explosive nature, in accordance with the requirements of the *International Building Code*.

**511.1.5.1 Screens.** Where a screen is installed in a safety relief vent, the screen shall be attached so as to permit ready release under the explosion pressure.

**511.1.5.2 Hoods.** The relief vent shall be provided with an *approved* noncombustible cowl or hood, or with a counterbalanced relief valve or cover arranged to prevent the escape of hazardous materials, gases or liquids.

**TABLE 511.2  
CONSTRUCTION, CLEARANCE AND TERMINATION REQUIREMENTS FOR SINGLE-WALL METAL CHIMNEYS**

CHIMNEYS SERVING	MINIMUM THICKNESS		TERMINATION			CLEARANCE				
	Walls (inch)	Lining	Above roof opening (feet)	Above any part of building within (feet)			Combustible construction (inches)		Noncombustible construction	
				10	25	50	Interior inst.	Exterior inst.	Interior inst.	Exterior inst.
High-heat appliances (Over 2,000°F) <sup>a</sup>	0.127 (No. 10 MSG)	4 1/2" laid on 4 1/2" bed	20	—	—	20	See Note c			
Low-heat appliances (1,000°F normal operation)	0.127 (No. 10 MSG)	none	3	2	—	—	18	6	Up to 18" diameter, 2" Over 18" diameter, 4"	
Medium-heat appliances (2,000°F maximum) <sup>b</sup>	0.127 (No. 10 MSG)	Up to 18" dia.—2 1/2" Over 18"—4 1/2" On 4 1/2" bed	10	—	10	—	36	24		

For SI: 1 inch = 25.4 mm, 1 foot = 304.8 mm, °C = [(°F)-32]/1.8.

a. Lining shall extend from bottom to top of outlet.

b. Lining shall extend from 24 inches below connector to 24 feet above.

c. Clearance shall be as specified by the design engineer and shall have sufficient clearance from buildings and structures to avoid overheating combustible materials (maximum 160°F).



## EXHAUST SYSTEMS

**511.2 Exhaust outlets.** Outlets for exhaust that exceed 600°F (315°C) shall be designed as a *chimney* in accordance with Table 511.2.

### SECTION 512 SUBSLAB SOIL EXHAUST SYSTEMS

**512.1 General.** When a subslab soil exhaust system is provided, the duct shall conform to the requirements of this section.

**512.2 Materials.** Subslab soil exhaust system duct material shall be air duct material *listed* and *labeled* to the requirements of UL 181 for Class 0 air ducts, or any of the following piping materials that comply with the ((*International*)) *Uniform Plumbing Code* as building sanitary drainage and vent pipe: cast iron; galvanized steel; brass or copper pipe; copper tube of a weight not less than that of copper drainage tube, Type DWV; and plastic piping.

**512.3 Grade.** Exhaust system ducts shall not be trapped and shall have a minimum slope of one-eighth unit vertical in 12 units horizontal (1-percent slope).

**512.4 Termination.** Subslab soil exhaust system ducts shall extend through the roof and terminate at least 6 inches (152 mm) above the roof and at least 10 feet (3048 mm) from any operable openings or air intake.

**512.5 Identification.** Subslab soil exhaust ducts shall be permanently identified within each floor level by means of a tag, stencil or other *approved* marking.

### SECTION 513 SMOKE CONTROL SYSTEMS

**[F] 513.1 Scope and purpose.** This section applies to mechanical and passive smoke control systems that are required by the *International Building Code*. The purpose of this section is to establish minimum requirements for the design, installation and acceptance testing of smoke control systems that are intended to provide a tenable environment for the evacuation or relocation of occupants. These provisions are not intended for the preservation of contents, the timely restoration of operations, or for assistance in fire suppression or overhaul activities. Smoke control systems regulated by this section serve a different purpose than the smoke- and heat-venting provisions found in Section 910 of the *International Building Code*.

**[F] 513.2 General design requirements.** Buildings, structures, or parts thereof required by this code to have a smoke control system or systems shall have such systems designed in accordance with the applicable requirements of Section 909 of the *International Building Code* and the generally accepted and well-established principles of engineering relevant to the design. The *construction documents* shall include sufficient information and detail to describe adequately the elements of the design necessary for the proper implementation of the smoke control systems. These documents shall be accompanied with sufficient information and analysis to demonstrate compliance with these provisions.

**[F] 513.3 Special inspection and test requirements.** In addition to the ordinary inspection and test requirements which buildings, structures and parts thereof are required to undergo, smoke control systems subject to the provisions of Section 909 of the *International Building Code* shall undergo special inspections and tests sufficient to verify the proper commissioning of the smoke control design in its final installed condition. The design submission accompanying the *construction documents* shall clearly detail procedures and methods to be used and the items subject to such inspections and tests. Such commissioning shall be in accordance with generally accepted engineering practice and, where possible, based on published standards for the particular testing involved. The special inspections and tests required by this section shall be conducted under the same terms as found in Section 1704 of the *International Building Code*.

**Note:** See SFD Administrative Rules 9.01.04 and 9.02.04 for further specific requirements.

**[F] 513.4 Analysis.** A rational analysis supporting the types of smoke control systems to be employed, their methods of operation, the systems supporting them and the methods of construction to be utilized shall accompany the submitted *construction documents* and shall include, but not be limited to, the items indicated in Sections 513.4.1 through 513.4.6.

**[F] 513.4.1 Stack effect.** The system shall be designed such that the maximum probable normal or reverse stack effects will not adversely interfere with the system's capabilities. In determining the maximum probable stack effects, altitude, elevation, weather history and interior temperatures shall be used.

**[F] 513.4.2 Temperature effect of fire.** Buoyancy and expansion caused by the design fire in accordance with Section 513.9 shall be analyzed. The system shall be designed such that these effects do not adversely interfere with its capabilities.

**[F] 513.4.3 Wind effect.** The design shall consider the adverse effects of wind. Such consideration shall be consistent with the wind-loading provisions of the *International Building Code*.

**[F] 513.4.4 HVAC systems.** The design shall consider the effects of the heating, ventilating and air-conditioning (HVAC) systems on both smoke and fire transport. The analysis shall include all permutations of systems' status. The design shall consider the effects of fire on the HVAC systems.

**[F] 513.4.5 Climate.** The design shall consider the effects of low temperatures on systems, property and occupants. Air inlets and exhausts shall be located so as to prevent snow or ice blockage.

**[F] 513.4.6 Duration of operation.** All portions of active or passive smoke control systems shall be capable of continued operation after detection of the fire event for a period of not less than either 20 minutes or 1.5 times the calculated egress time, whichever is less.



**[F] 513.5 Smoke barrier construction.** Smoke barriers shall comply with the *International Building Code*. Smoke barriers shall be constructed and sealed to limit leakage areas exclusive of protected openings. The maximum allowable leakage area shall be the aggregate area calculated using the following leakage area ratios:

1. Walls:  $A/A_w = 0.00100$
2. Exit enclosures:  $A/A_w = 0.00035$
3. All other shafts:  $A/A_w = 0.00150$
4. Floors and roofs:  $A/A_F = 0.00050$

where:

$A$  = Total leakage area, square feet (m<sup>2</sup>).

$A_F$  = Unit floor or roof area of barrier, square feet (m<sup>2</sup>).

$A_w$  = Unit wall area of barrier, square feet (m<sup>2</sup>).

The leakage area ratios shown do not include openings due to doors, operable windows or similar gaps. These shall be included in calculating the total leakage area.

**[F] 513.5.1 Leakage area.** Total leakage area of the barrier is the product of the smoke barrier gross area times the allowable leakage area ratio, plus the area of other openings such as gaps and operable windows. Compliance shall be determined by achieving the minimum air pressure difference across the barrier with the system in the smoke control mode for mechanical smoke control systems. Passive smoke control systems tested using other *approved* means such as door fan testing shall be as *approved* by the code official.

**[F] 513.5.2 Opening protection.** Openings in smoke barriers shall be protected by automatic-closing devices actuated by the required controls for the mechanical smoke control system. Door openings shall be protected by door assemblies complying with the requirements of the *International Building Code* for doors in smoke barriers.

#### Exceptions:

1. Passive smoke control systems with automatic-closing devices actuated by spot-type smoke detectors *listed* for releasing service installed in accordance with the *International Building Code*.
2. Fixed openings between smoke zones which are protected utilizing the airflow method.
3. In Group I-2 where such doors are installed across corridors, a pair of opposite-swinging doors without a center mullion shall be installed having vision panels with *approved* fire-rated glazing materials in *approved* fire-rated frames, the area of which shall not exceed that tested. The doors shall be close-fitting within operational tolerances, and shall not have undercuts, louvers or grilles. The doors shall have head and jamb stops, astragals or rabbets at meeting edges and automatic-closing devices. Positive latching devices are not required.

4. Group I-3.

5. Openings between smoke zones with clear ceiling heights of 14 feet (4267 mm) or greater and bank down capacity of greater than 20 minutes as determined by the design fire size.

**[F] 513.5.2.1 Ducts and air transfer openings.** Ducts and air transfer openings are required to be protected with a minimum Class II, 250°F (121°C) smoke damper complying with the *International Building Code*.

**[F] 513.6 Pressurization method.** The primary mechanical means of controlling smoke shall be by pressure differences across smoke barriers. Maintenance of a tenable environment is not required in the smoke control zone of fire origin.

**[F] 513.6.1 Minimum pressure difference.** The minimum pressure difference across a smoke barrier shall be 0.05-inch water gage (12.4 Pa) in fully sprinklered buildings.

In buildings permitted to be other than fully sprinklered, the smoke control system shall be designed to achieve pressure differences at least two times the maximum calculated pressure difference produced by the design fire.

**[F] 513.6.2 Maximum pressure difference.** The maximum air pressure difference across a smoke barrier shall be determined by required door-opening or closing forces. The actual force required to open exit doors when the system is in the smoke control mode shall be in accordance with the *International Building Code*. Opening and closing forces for other doors shall be determined by standard engineering methods for the resolution of forces and reactions. The calculated force to set a side-hinged, swinging door in motion shall be determined by:

$$F = F_{dc} + K(WA\Delta P)/2(W-d) \quad \text{(Equation 5-2)}$$

where:

$A$  = Door area, square feet (m<sup>2</sup>).

$d$  = Distance from door handle to latch edge of door, feet (m).

$F$  = Total door opening force, pounds (N).

$F_{dc}$  = Force required to overcome closing device, pounds (N).

$K$  = Coefficient 5.2 (1.0).

$W$  = Door width, feet (m).

$\Delta P$  = Design pressure difference, inches (Pa) water gage.

**[F] 513.7 Airflow design method.** When *approved* by the code official, smoke migration through openings fixed in a permanently open position, which are located between smoke control zones by the use of the airflow method, shall be permitted. The design airflows shall be in accordance with this section. Airflow shall be directed to limit smoke migration from the fire zone. The geometry of openings shall be considered to prevent flow reversal from turbulent effects.

[F] **513.7.1 Velocity.** The minimum average velocity through a fixed opening shall not be less than:

$$v = 217.2 [h (T_f - T_o) / (T_f + 460)]^{1/2} \quad (\text{Equation 5-3})$$

For SI:  $v = 119.9 [h (T_f - T_o) / T_f]^{1/2}$

where:

$H$  = Height of opening, feet (m).

$T_f$  = Temperature of smoke, °F (K).

$T_o$  = Temperature of ambient air, °F (K).

$v$  = Air velocity, feet per minute (m/minute).

[F] **513.7.2 Prohibited conditions.** This method shall not be employed where either the quantity of air or the velocity of the airflow will adversely affect other portions of the smoke control system, unduly intensify the fire, disrupt plume dynamics or interfere with exiting. In no case shall airflow toward the fire exceed 200 feet per minute (1.02 m/s). Where the formula in Section 513.7.1 requires airflow to exceed this limit, the airflow method shall not be used.

[F] **513.8 Exhaust method.** When *approved* by the building official, mechanical smoke control for large enclosed volumes, such as in atriums or malls, shall be permitted to utilize the exhaust method. Smoke control systems using the exhaust method shall be designed in accordance with NFPA 92B.

[F] **513.8.1 Exhaust rate.** The height of the lowest horizontal surface of the accumulating smoke layer shall be maintained at least 6 feet (1829 mm) above any walking surface which forms a portion of a required egress system within the smoke zone.

[F] **513.9 Design fire.** The design fire shall be based on a rational analysis performed by the *registered design professional* and *approved* by the code official. The design fire shall be based on the analysis in accordance with Section 513.4 and this section.

[F] **513.9.1 Factors considered.** The engineering analysis shall include the characteristics of the fuel, fuel load, effects included by the fire and whether the fire is likely to be steady or unsteady.

[F] **513.9.2 Design fire fuel.** Determination of the design fire shall include consideration of the type of fuel, fuel spacing and configuration.

[F] **513.9.3 Heat-release assumptions.** The analysis shall make use of the best available data from *approved* sources and shall not be based on excessively stringent limitations of combustible material.

[F] **513.9.4 Sprinkler effectiveness assumptions.** A documented engineering analysis shall be provided for conditions that assume fire growth is halted at the time of sprinkler activation.

[F] **513.10 Equipment.** *Equipment* such as, but not limited to, fans, ducts, automatic dampers and balance dampers shall be suitable for their intended use, suitable for the probable exposure temperatures that the rational analysis indicates, and *approved* by the code official.

[F] **513.10.1 Exhaust fans.** Components of exhaust fans shall be rated and certified by the manufacturer for the probable temperature rise to which the components will be exposed. This temperature rise shall be computed by:

$$T_s = (Q_c / mc) + (T_a) \quad (\text{Equation 5-4})$$

where:

$c$  = Specific heat of smoke at smoke-layer temperature, Btu/lb°F (kJ/kg × K).

$m$  = Exhaust rate, pounds per second (kg/s).

$Q_c$  = Convective heat output of fire, Btu/s (kW).

$T_a$  = Ambient temperature, °F (K).

$T_s$  = Smoke temperature, °F (K).

**Exception:** Reduced  $T_s$  as calculated based on the assurance of adequate dilution air.

[F] **513.10.2 Ducts.** Duct materials and joints shall be capable of withstanding the probable temperatures and pressures to which they are exposed as determined in accordance with Section 513.10.1. Ducts shall be constructed and supported in accordance with Chapter 6. Ducts shall be leak tested to 1.5 times the maximum design pressure in accordance with nationally accepted practices. Measured leakage shall not exceed 5 percent of design flow. Results of such testing shall be a part of the documentation procedure. Ducts shall be supported directly from fire-resistance-rated structural elements of the building by substantial, noncombustible supports.

**Exception:** Flexible connections, for the purpose of vibration isolation, that are constructed of *approved* fire-resistance-rated materials.

[F] **513.10.3 Equipment, inlets and outlets.** *Equipment* shall be located so as to not expose uninvolved portions of the building to an additional fire hazard. Outdoor air inlets shall be located so as to minimize the potential for introducing smoke or flame into the building. Exhaust outlets shall be so located as to minimize reintroduction of smoke into the building and to limit exposure of the building or adjacent buildings to an additional fire hazard.

[F] **513.10.4 Automatic dampers.** Automatic dampers, regardless of the purpose for which they are installed within the smoke control system, shall be *listed* and conform to the requirements of *approved* recognized standards.

[F] **513.10.5 Fans.** In addition to other requirements, belt-driven fans shall have 1.5 times the number of belts required for the design duty with the minimum number of belts being two. Fans shall be selected for stable performance based on normal temperature and, where applicable, elevated temperature. Calculations and manufacturer's fan curves shall be part of the documentation procedures. Fans shall be supported and restrained by noncombustible devices in accordance with the structural design requirements of the *International Building Code*. Motors driving fans shall not be operating beyond their nameplate horsepower (kilowatts) as determined from measurement of actual current draw. Motors driving fans shall have a minimum service factor of 1.15.

**[F] 513.11 Power systems.** The smoke control system shall be supplied with two sources of power. Primary power shall be the normal building power systems. Secondary power shall be from an *approved* ~~((standby))~~ emergency source complying with Chapter 27 of the *International Building Code* and the *Seattle Electrical Code*. The ~~((standby))~~ emergency power source and its transfer switches shall be in a room separate from the normal power transformers and switch gear and ventilated directly to and from the exterior. The room shall be enclosed with not less than 1-hour fire-resistance-rated fire barriers constructed in accordance with Section 707 of the *International Building Code* or horizontal assemblies constructed in accordance with Section 712 of *International Building Code*, or both. Power distribution from the two sources shall be by independent routes. Transfer to full ~~((standby))~~ emergency power shall be automatic and within 60 seconds of failure of the primary power. The systems shall comply with ~~((NFPA 70))~~ the *Seattle Electrical Code*.

**Exception:** A generator set with a diesel fuel tank system not exceeding 660 gallons is not required to be located in a rated room when installed in a sprinklered parking garage of Type I or II construction, unless a 1-hour separation is required to separate control areas in accordance with the *International Fire Code*.

**[F] 513.11.1 Power sources and power surges.** Elements of the smoke management system relying on volatile memories or the like shall be supplied with uninterruptible power sources of sufficient duration to span 15-minute primary power interruption. Elements of the smoke management system susceptible to power surges shall be suitably protected by conditioners, suppressors or other *approved* means.

**[F] 513.11.2 Wiring.** In addition to meeting requirements of the *Seattle Electrical Code*, all wiring regardless of voltage, shall have fire-resistance-rated protection of at least two hours or as required in rules promulgated by the code official.

**Exception:** Subject to the approval of the code official, fire-resistance rating is not required for wiring located in a parking garage.

**[F] 513.12 Detection and control systems.** Fire detection systems providing control input or output signals to mechanical smoke control systems or elements thereof shall comply with the requirements of Chapter 9 of the *International Building Code* and NFPA 72. Such systems shall be equipped with a control unit complying with UL 864 and listed as smoke control equipment.

Control systems for mechanical smoke control systems shall include provisions for verification. Verification shall include positive confirmation of actuation, testing, manual override, the presence of power downstream of all disconnects and, through a preprogrammed weekly test sequence report, abnormal conditions audibly, visually and by printed report.

**[F] 513.12.1 Wiring.** ~~((In addition to meeting the requirements of NFPA 70, all wiring, regardless of voltage, shall be fully enclosed within continuous raceways.))~~ See Section 513.11.

**[F] 513.12.2 Activation.** Smoke control systems shall be activated in accordance with the *International Building Code*.

**[F] 513.12.3 Automatic control.** Where completely automatic control is required or used, the automatic control sequences shall be initiated from an appropriately zoned automatic sprinkler system complying with Section 903.3.1.1 of the *International Fire Code*, ~~((or))~~ from manual controls that are readily accessible to the fire department, and any smoke detectors ~~in the building~~ ~~((required by engineering analysis))~~.

**[F] 513.13 Control-air tubing.** Control-air tubing shall be of sufficient size to meet the required response times. Tubing shall be flushed clean and dry prior to final connections. Tubing shall be adequately supported and protected from damage. Tubing passing through concrete or masonry shall be sleeved and protected from abrasion and electrolytic action.

**[F] 513.13.1 Materials.** Control-air tubing shall be hard-drawn copper, Type L, ACR in accordance with ASTM B 42, ASTM B 43, ASTM B 68, ASTM B 88, ASTM B 251 and ASTM B 280. Fittings shall be wrought copper or brass, solder type in accordance with ASME B 16.18 or ASME B 16.22. Changes in direction shall be made with appropriate tool bends. Brass compression-type fittings shall be used at final connection to devices; other joints shall be brazed using a BCuP5 brazing alloy with solidus above 1,100°F (593°C) and liquids below 1,500°F (816°C). Brazing flux shall be used on copper-to-brass joints only.

**Exception:** Nonmetallic tubing used within control panels and at the final connection to devices provided all of the following conditions are met:

1. Tubing shall be *listed* by an *approved* agency for flame and smoke characteristics.
2. Tubing and connected device shall be completely enclosed within a galvanized or paint-grade steel enclosure having a minimum thickness of 0.0296 inch (0.7534 mm) (No. 22 gage). Entry to the enclosure shall be by copper tubing with a protective grommet of Neoprene or Teflon or by suitable brass compression to male barbed adapter.
3. Tubing shall be identified by appropriately documented coding.
4. Tubing shall be neatly tied and supported within the enclosure. Tubing bridging cabinets and doors or moveable devices shall be of sufficient length to avoid tension and excessive stress. Tubing shall be protected against abrasion. Tubing serving devices on doors shall be fastened along hinges.

**[F] 513.13.2 Isolation from other functions.** Control tubing serving other than smoke control functions shall be isolated by automatic isolation valves or shall be an independent system.

**[F] 513.13.3 Testing.** Test control-air tubing at three times the operating pressure for not less than 30 minutes without any noticeable loss in gauge pressure prior to final connection to devices.

## EXHAUST SYSTEMS

[F] **513.14 Marking and identification.** The detection and control systems shall be clearly marked at all junctions, accesses and terminations.

[F] **513.15 Control diagrams.** Identical control diagrams shall be provided and maintained as required by the *International Fire Code*.

[F] **513.16 Fire fighter's smoke control panel.** A fire fighter's smoke control panel for fire department emergency response purposes only shall be provided in accordance with the *International Fire Code*.

[F] **513.17 System response time.** Smoke control system activation shall comply with the *International Fire Code*.

[F] **513.18 Acceptance testing.** Devices, *equipment*, components and sequences shall be tested in accordance with the *International Fire Code*.

[F] **513.19 System acceptance.** Acceptance of the smoke control system shall be in accordance with the *International Fire Code*.

### SECTION 514

#### ENERGY RECOVERY VENTILATION SYSTEMS

**514.1 General.** Energy recovery ventilation systems shall be installed in accordance with this section. Where required for purposes of energy conservation, energy recovery ventilation systems shall also comply with the (~~*International Energy Conservation Code*~~) *Washington State Energy Code with Seattle Amendments*.

**514.2 Prohibited applications.** Energy recovery ventilation systems shall not be used in the following systems:

1. Hazardous exhaust systems covered in Section 510.
2. Dust, stock and refuse systems that convey explosive or flammable vapors, fumes or dust.
3. Smoke control systems covered in Section 513.
4. Commercial kitchen exhaust systems serving Type I and Type II hoods.
5. Clothes dryer exhaust systems covered in Section 504.

**514.3 Access.** A means of access shall be provided to the heat exchanger and other components of the system as required for service, maintenance, repair or replacement.



## CHAPTER 6

# DUCT SYSTEMS

### SECTION 601 GENERAL

**601.1 Scope.** Duct systems used for the movement of air in air-conditioning, heating, ventilating and exhaust systems shall conform to the provisions of this chapter except as otherwise specified in Chapters 5 and 7.

**Exception:** Ducts discharging combustible material directly into any *combustion* chamber shall conform to the requirements of NFPA 82.

**[B] 601.2 Air movement in egress elements.** Corridors shall not serve as supply, return, exhaust, relief or *ventilation air* ducts.

#### Exceptions:

1. Use of a corridor as a source of *makeup air* for exhaust systems in rooms that open directly onto such corridors, including toilet rooms, bathrooms, dressing rooms, ((~~smoking lounges~~)) and janitor closets, shall be permitted, provided that each such corridor is directly supplied with ((~~outdoor~~)) air at a rate greater than the rate of *makeup air* taken from the corridor.
2. Where located within a *dwelling unit*, the use of corridors for conveying return air shall not be prohibited.
3. Where located within tenant spaces of 1,000 square feet (93 m<sup>2</sup>) or less in area, use of corridors for conveying return air is permitted.
4. Incidental air movement from pressurized rooms within health care facilities, provided that the corridor is not the primary source of supply or return to the room.

[W]5. Where such air is part of an engineered smoke control system.

[W]6. Air supplied to corridors serving residential occupancies shall not be considered as providing *ventilation air* to the *dwelling units* subject to the following:

- 6.1. The air supplied to the corridor is one hundred percent outside air; and
- 6.2. The *dwelling units* have *ventilation air* independent of the air supplied to the corridor; and
- 6.3. For other than *high-rise buildings*, the supply fan will automatically shut off upon activation of corridor smoke detectors which shall be spaced at no more than 30 feet (9144 mm) on center along the corridor; or
- 6.4. For *high-rise buildings*, the supply fan will automatically shut off upon activation of the smoke detectors required by *Seattle Fire Code* Section 907.2.13.1 or upon receipt of another *approved* fire alarm signal. The sup-

ply fan is not required to be automatically shut off when used as part of an *approved* building stairwell or elevator hoistway pressurization system.

**[B] 601.2.1 Corridor ceiling.** Use of the space between the corridor ceiling and the floor or roof structure above as a return air *plenum* is permitted for one or more of the following conditions:

1. The corridor is not required to be of fire-resistance-rated construction;
2. The corridor is separated from the *plenum* by fire-resistance-rated construction;
3. The air-handling system serving the corridor is shut down upon activation of the air-handling unit smoke detectors required by this code;
4. The air-handling system serving the corridor is shut down upon detection of sprinkler waterflow where the building is equipped throughout with an automatic sprinkler system; or
5. The space between the corridor ceiling and the floor or roof structure above the corridor is used as a component of an *approved* engineered smoke control system.

**[B] 601.3 Exits.** *Equipment* and ductwork for exit enclosure ventilation shall comply with one of the following items:

1. Such *equipment* and ductwork shall be located exterior to the building and shall be directly connected to the exit enclosure by ductwork enclosed in construction as required by the *International Building Code* for shafts.
2. Where such *equipment* and ductwork is located within the exit enclosure, the intake air shall be taken directly from the outdoors and the *exhaust air* shall be discharged directly to the outdoors, or such air shall be conveyed through ducts enclosed in construction as required by the *International Building Code* for shafts.
3. Where located within the building, such *equipment* and ductwork shall be separated from the remainder of the building, including other mechanical *equipment*, with construction as required by the *International Building Code* for shafts.

In each case, openings into fire-resistance-rated construction shall be limited to those needed for maintenance and operation and shall be protected by self-closing fire-resistance-rated devices in accordance with the *International Building Code* for enclosure wall opening protectives. Exit enclosure ventilation systems shall be independent of other building ventilation systems.

**601.4 Contamination prevention.** Exhaust ducts under positive pressure, chimneys and vents shall not extend into or pass through ducts or plenums.

**Exception:** Exhaust systems located in ceiling return air plenums over spaces that are permitted to have 10 percent recirculation in accordance with Section 403.2.1, Item 4. The exhaust duct joints, seams and connections shall comply with Section 603.9.

## SECTION 602 PLENUMS

**602.1 General.** Supply, return, exhaust, relief and *ventilation air* plenums shall be limited to uninhabited crawl spaces, areas above a ceiling or below the floor, attic spaces and mechanical *equipment* rooms. Plenums shall be limited to one fire area. Fuel-fired appliances shall not be installed within a *plenum*.

**602.2 Construction.** *Plenum* enclosures shall be constructed of materials permitted for the type of construction classification of the building.

The use of gypsum boards to form plenums shall be limited to systems where the air temperatures do not exceed 125°F (52°C) and the building and mechanical system design conditions are such that the gypsum board surface temperature will be maintained above the airstream dew-point temperature as determined by the registered design professional. Air plenums formed by gypsum boards shall not be incorporated in air-handling systems utilizing evaporative coolers.

**602.2.1 Materials within plenums.** Except as required by Sections 602.2.1.1 through 602.2.1.6, materials within plenums shall be noncombustible or shall have a flame spread index of not more than 25 and a smoke-developed index of not more than 50 when tested in accordance with ASTM E 84 or UL 723.

### Exceptions:

1. Rigid and flexible ducts and connectors shall conform to Section 603.
2. Duct coverings, linings, tape and connectors shall conform to Sections 603 and 604.
3. This section shall not apply to materials exposed within plenums in one- and two-family dwellings.
4. This section shall not apply to smoke detectors.
5. Combustible materials fully enclosed within continuous noncombustible raceways or enclosures, *approved* gypsum board assemblies or within materials *listed* and *labeled* for such application.

**602.2.1.1 Wiring.** Combustible electrical or electronic wiring methods and materials, optical fiber cable, and optical fiber raceway exposed within a *plenum* shall have a peak optical density not greater than 0.50, an average optical density not greater than 0.15, and a flame spread not greater than 5 feet (1524 mm) when tested in accordance with NFPA 262. Only type OFNP (*plenum* rated nonconductive optical fiber cable) shall be installed in plenum-rated optical fiber raceways. Wiring, cable, and raceways addressed in this section shall be *listed* and

*labeled* as *plenum* rated and shall be installed in accordance with ((NFPA-70)) the *Seattle Electrical Code*.

**602.2.1.2 Fire sprinkler piping.** Plastic fire sprinkler piping exposed within a *plenum* shall be used only in wet pipe systems and shall have a peak optical density not greater than 0.50, an average optical density not greater than 0.15, and a flame spread of not greater than 5 feet (1524 mm) when tested in accordance with UL 1887. Piping shall be *listed* and *labeled*.

**602.2.1.3 Pneumatic tubing.** Combustible pneumatic tubing exposed within a *plenum* shall have a peak optical density not greater than 0.50, an average optical density not greater than 0.15, and a flame spread of not greater than 5 feet (1524 mm) when tested in accordance with UL 1820. Combustible pneumatic tubing shall be *listed* and *labeled*.

**602.2.1.4 Electrical equipment in plenums.** Electrical *equipment* exposed within a *plenum* shall comply with Sections 602.2.1.4.1 and 602.2.1.4.2.

**602.2.1.4.1 Equipment in metallic enclosures.** Electrical *equipment* with metallic enclosures exposed within a *plenum* shall be permitted.

**602.2.1.4.2 Equipment in combustible enclosures.** Electrical *equipment* with combustible enclosures exposed within a *plenum* shall be *listed* and *labeled* for such use in accordance with UL 2043.

**602.2.1.5 Foam plastic insulation.** Foam plastic insulation used as wall or ceiling finish in plenums shall exhibit a flame spread index of 75 or less and a smoke-developed index of 450 or less when tested in accordance with ASTM E 84 or UL 723 and shall also comply with Section 602.2.1.5.1, 602.2.1.5.2 or 602.2.1.5.3.

**602.2.1.5.1 Separation required.** The foam plastic insulation shall be separated from the *plenum* by a thermal barrier complying with Section 2603.4 of the *International Building Code*.

**602.2.1.5.2 Approval.** The foam plastic insulation shall be *approved* based on tests conducted in accordance with Section 2603.9 of the *International Building Code*.

**602.2.1.5.3 Covering.** The foam plastic insulation shall be covered by corrosion-resistant steel having a base metal thickness of not less than 0.0160 inch (0.4 mm).

**602.2.1.6 Semiconductor fabrication areas.** Group H, Division 5 fabrication areas and the areas above and below the fabrication area that share a common air recirculation path with the fabrication area shall not be subject to the provisions of Section 602.2.1.

**602.3 Stud cavity and joist space plenums.** Stud wall cavities and the spaces between solid floor joists to be utilized as air plenums shall comply with the following conditions:

1. Such cavities or spaces shall not be utilized as a *plenum* for supply air.

2. Such cavities or spaces shall not be part of a required fire-resistance-rated assembly.
3. Stud wall cavities shall not convey air from more than one floor level.
4. Stud wall cavities and joist space plenums shall comply with the floor penetration protection requirements of the *International Building Code*.
5. Stud wall cavities and joist space plenums shall be isolated from adjacent concealed spaces by *approved* fireblocking as required in the *International Building Code*.

**[B] 602.4 Flood hazard.** For structures located in flood hazard areas, *plenum* spaces shall be located above the *design flood elevation* or shall be designed and constructed to prevent water from entering or accumulating within the *plenum* spaces during floods up to the *design flood elevation*. If the *plenum* spaces are located below the *design flood elevation*, they shall be capable of resisting hydrostatic and hydrodynamic loads and stresses, including the effects of buoyancy, during the occurrence of flooding to the *design flood elevation*.

### SECTION 603 DUCT CONSTRUCTION AND INSTALLATION

**603.1 General.** An air distribution system shall be designed and installed to supply the required distribution of air. The installation of an air distribution system shall not affect the fire protection requirements specified in the *International Building Code*. Ducts shall be constructed, braced, reinforced and installed to provide structural strength and durability.

**603.2 Duct sizing.** Ducts installed within a single *dwelling unit* shall be sized in accordance with ACCA Manual D or other *approved* methods. Ducts installed within all other buildings shall be sized in accordance with the *ASHRAE Handbook of Fundamentals* or other equivalent computation procedure.

**603.3 Duct classification.** Ducts shall be classified based on the maximum operating pressure of the duct at pressures of positive or negative 0.5, 1.0, 2.0, 3.0, 4.0, 6.0 or 10.0 inches (1 inch w.c. = 248.7 Pa) of water column. The pressure classification of ducts shall equal or exceed the design pressure of the air distribution in which the ducts are utilized.

**603.4 Metallic ducts.** All metallic ducts shall be constructed as specified in the *SMACNA HVAC Duct Construction Standards—Metal and Flexible*.

**Exception:** Ducts installed within single *dwelling units* shall have a minimum thickness as specified in Table 603.4.

**603.4.1 Minimum fasteners.** Round metallic ducts shall be mechanically fastened by means of at least three sheet metal screws or rivets spaced equally around the joint.

**Exception:** Where a duct connection is made that is partially inaccessible, three screws or rivets shall be equally spaced on the exposed portion so as to prevent a hinge effect.

**603.5 Nonmetallic ducts.** Nonmetallic ducts shall be constructed with Class 0 or Class 1 duct material in accordance with UL 181. Fibrous duct construction shall conform to the *SMACNA Fibrous Glass Duct Construction Standards* or *NAIMA Fibrous Glass Duct Construction Standards*. The maximum air temperature within nonmetallic ducts shall not exceed 250°F (121°C).

**603.5.1 Gypsum ducts.** The use of gypsum boards to form air shafts (ducts) shall be limited to return air systems where the air temperatures do not exceed 125°F (52°C) and the gypsum board surface temperature is maintained above the airstream dew-point temperature as determined by the registered design professional. Air ducts formed by gypsum boards shall not be incorporated in air-handling systems utilizing evaporative coolers.

**Exceptions:**

1. Gypsum boards may be used for ducts that are only used for stairway or elevator pressurization supply air. The gypsum duct shall not attach directly to the equipment.
2. Gypsum boards coated on the inside with epoxy paint or foil-facing may be used for ventilation systems serving parking garages.
3. Gypsum boards coated on the inside with epoxy paint or foil-facing may be used for exhaust air ducts.

**Note:** Gypsum ducts shall be sealed in accordance with Seattle Energy Code Section 1414.

**TABLE 603.4  
DUCT CONSTRUCTION MINIMUM SHEET METAL THICKNESSES FOR SINGLE DWELLING UNITS**

DUCT SIZE	GALVANIZED		ALUMINUM MINIMUM THICKNESS (in.)
	Minimum thickness (in.)	Equivalent galvanized gage no.	
Round ducts and enclosed rectangular ducts			
14 inches or less	0.0157	28	0.0175
16 and 18 inches	0.0187	26	0.018
20 inches and over	0.0236	24	0.023
Exposed rectangular ducts			
14 inches or less	0.0157	28	0.0175
Over 14 inches <sup>a</sup>	0.0187	26	0.018

For SI: 1 inch = 25.4 mm, 1 inch water gage = 249 Pa.

a. For duct gages and reinforcement requirements at static pressures of 1/2-inch, 1-inch and 2-inch w.g., *SMACNA HVAC Duct Construction Standards*, Tables 2-1, 2-2 and 2-3, shall apply.



**603.6 Flexible air ducts and flexible air connectors.** Flexible air ducts, both metallic and nonmetallic, shall comply with Sections 603.6.1, 603.6.1.1, 603.6.3 and 603.6.4. Flexible air connectors, both metallic and nonmetallic, shall comply with Sections 603.6.2 through 603.6.4.

**603.6.1 Flexible air ducts.** Flexible air ducts, both metallic and nonmetallic, shall be tested in accordance with UL 181. Such ducts shall be *listed* and *labeled* as Class 0 or Class 1 flexible air ducts and shall be installed in accordance with Section 304.1.

**603.6.1.1 Duct length.** Flexible air ducts shall not be limited in length.

**603.6.2 Flexible air connectors.** Flexible air connectors, both metallic and nonmetallic, shall be tested in accordance with UL 181. Such connectors shall be *listed* and *labeled* as Class 0 or Class 1 flexible air connectors and shall be installed in accordance with Section 304.1.

**603.6.2.1 Connector length.** Flexible air connectors shall be limited in length to 14 feet (4267 mm).

**603.6.2.2 Connector penetration limitations.** Flexible air connectors shall not pass through any wall, floor or ceiling.

**603.6.3 Air temperature.** The design temperature of air to be conveyed in flexible air ducts and flexible air connectors shall be less than 250°F (121°C).

**603.6.4 Flexible air duct and air connector clearance.** Flexible air ducts and air connectors shall be installed with a minimum *clearance* to an *appliance* as specified in the *appliance* manufacturer's installation instructions.

**603.7 Rigid duct penetrations.** Duct system penetrations of walls, floors, ceilings and roofs and air transfer openings in such building components shall be protected as required by Section 607. Ducts in a private garage and ducts penetrating the walls or ceilings separating a *dwelling* from a private garage shall be continuous and constructed of a minimum 26 gage [0.0187 inch (0.4712 mm)] galvanized sheet metal and shall not have openings into the garage. Fire and smoke dampers are not required in such ducts passing through the wall or ceiling separating a *dwelling* from a private garage except where required by Chapter 7 of the *International Building Code*.

**603.8 Underground ducts.** Ducts shall be *approved* for underground installation. Metallic ducts not having an *approved* protective coating shall be completely encased in a minimum of 2 inches (51 mm) of concrete.

**603.8.1 Slope.** Ducts shall have a minimum slope of  $\frac{1}{8}$  inch per foot (10.4 mm/m) to allow drainage to a point provided with access.

**603.8.2 Sealing.** Ducts shall be sealed and secured prior to pouring the concrete encasement.

**603.8.3 Plastic ducts and fittings.** Plastic ducts shall be constructed of PVC having a minimum pipe stiffness of 8 psi (55 kPa) at 5-percent deflection when tested in accordance with ASTM D 2412. Plastic duct fittings shall be constructed of either PVC or high-density polyethylene. Plastic duct and fittings shall be utilized in underground installa-

tions only. The maximum design temperature for systems utilizing plastic duct and fittings shall be 150°F (66°C).

**603.9 Joints, seams and connections.** All longitudinal and transverse joints, seams and connections in metallic and nonmetallic ducts shall be constructed as specified in SMACNA *HVAC Duct Construction Standards—Metal and Flexible*, *SMACNA Fibrous Glass Duct Construction Standards*, and NAIMA *Fibrous Glass Duct Construction Standards*. All joints, longitudinal and transverse seams and connections in ductwork shall be securely fastened and sealed with welds, gaskets, mastics (adhesives), mastic-plus-embedded-fabric systems, liquid sealants or tapes. Closure systems used to seal ductwork *listed* and *labeled* in accordance with UL 181A shall be marked "181A-P" for pressure-sensitive tape, "181 A-M" for mastic or "181 A-H" for heat-sensitive tape. Closure systems used to seal flexible air ducts and flexible air connectors shall comply with UL 181B and shall be marked "181B-FX" for pressure-sensitive tape or "181B-M" for mastic. Duct connections to flanges of air distribution system *equipment* shall be sealed and mechanically fastened. Mechanical fasteners for use with flexible nonmetallic air ducts shall comply with UL 181B and shall be marked "181B-C." Closure systems used to seal metal ductwork shall be installed in accordance with the manufacturer's installation instructions. Unlisted duct tape is not permitted as a sealant on any metal ducts.

**Exception:** Continuously welded and locking-type longitudinal joints and seams in ducts operating at static pressures less than 2 inches of water column (500 Pa) pressure classification shall not require additional closure systems.

**603.10 Supports.** Ducts shall be supported with *approved* hangers at intervals not exceeding 10 feet (3048 mm) or by other *approved* duct support systems designed in accordance with the *International Building Code*. Flexible and other factory-made ducts shall be supported in accordance with the manufacturer's installation instructions.

**603.10.1 Seismic bracing of ducts.** Longitudinal and transverse bracing is required for ducts 6 square feet (0.56 m<sup>2</sup>) and larger, including round ducts with a diameter of 34 inches (864 mm) or more, and on all duct systems used for life safety and smoke control installed in either the horizontal or vertical position.

**603.10.1.1 Transverse bracing.** Transverse bracing shall occur at maximum intervals of 30 feet (9144 mm), at each duct turn and at the end of a duct run. Walls, including nonbearing fixed partitions, that have ducts running through them may replace a transverse brace.

**603.10.1.2 Longitudinal bracing.** Longitudinal bracing shall occur at maximum intervals of 60 feet (18 288 mm). Transverse bracing for one duct section may also act as longitudinal bracing for a duct section connected perpendicular to it if bracing is installed within 4 feet (1219 mm) of the intersection and sized and installed on the larger duct.

**603.10.2 Grouping of ducts.** Groups of ducts may be combined in a larger size frame using overall dimensions and maximum weight of ducts. At least two sides of each duct shall be connected to the angles of the brace.



**603.10.3 Seismic loads.** Bracing for ducts shall be designed to resist seismic loading, using accepted engineering practices and Chapter 16 of the *International Building Code*.

**Exception:** No bracing is required if the duct is suspended by hangers 12 inches (305 mm) or less in length as measured from the top of the duct to the bottom of the support where the hanger is attached. Hangers shall be positively attached to the duct within 2 inches (51 mm) of the top of the duct with a minimum of two #10 sheet metal screws.

**Interpretation:** Duct bracing that complies with the SMACNA guideline “Seismic Restraint Manual Guidelines for Mechanical Systems” is deemed to comply with Section 603.10.1.

**603.11 Furnace connections.** Ducts connecting to a furnace shall have a clearance to combustibles in accordance with the furnace manufacturer’s installation instructions.

**603.12 Condensation.** Provisions shall be made to prevent the formation of condensation on the exterior of any duct.

**[B] 603.13 Flood hazard areas.** For structures in flood hazard areas, ducts shall be located above the *design flood elevation* or shall be designed and constructed to prevent water from entering or accumulating within the ducts during floods up to the *design flood elevation*. If the ducts are located below the *design flood elevation*, the ducts shall be capable of resisting hydrostatic and hydrodynamic loads and stresses, including the effects of buoyancy, during the occurrence of flooding to the *design flood elevation*.

**603.14 Location.** Ducts shall not be installed in or within 4 inches (102 mm) of the earth, except where such ducts comply with Section 603.8. Ducts installed in parking garages shall provide a clear floor height of not less than 6 feet 6 inches at the vehicle and pedestrian traffic areas, except where a minimum vertical clearance of 98 inches must be provided for required van-accessible parking spaces, access aisles serving them, and vehicular routes between the van-accessible parking spaces and the garage entrance and exit.

**603.15 Mechanical protection.** Ducts installed in locations where they are exposed to mechanical damage by vehicles or from other causes shall be protected by *approved* barriers.

**603.16 Weather protection.** All ducts including linings, coverings and vibration isolation connectors installed on the exterior of the building shall be protected against the elements.

**603.17 Registers, grilles and diffusers.** Duct registers, grilles and diffusers shall be installed in accordance with the manufacturer’s installation instructions. Volume dampers or other means of supply air adjustment shall be provided in the branch ducts or at each individual duct register, grille or diffuser. Each volume damper or other means of supply air adjustment used in balancing shall be provided with access.

**603.17.1 Floor registers.** Floor registers shall resist, without structural failure, a 200-pound (90.8 kg) concentrated load on a 2-inch-diameter (51 mm) disc applied to the most critical area of the exposed face.

**603.17.2 Prohibited locations.** Diffusers, registers and grilles shall be prohibited in the floor or its upward extension within toilet and bathing rooms required by the *International Building Code* to have smooth, hard, nonabsorbent surfaces.

**Exception:** *Dwelling units.*

## SECTION 604 INSULATION

**604.1 General.** Duct insulation shall conform to the requirements of ((Sections 604.2 through 604.13 and the *International Energy Conservation Code*)) the *Washington State Energy Code with Seattle Amendments*.

**604.2 Surface temperature.** Ducts that operate at temperatures exceeding 120°F (49°C) shall have sufficient thermal insulation to limit the exposed surface temperature to 120°F (49°C).

**604.3 Coverings and linings.** Coverings and linings, including adhesives when used, shall have a flame spread index not more than 25 and a smoke-developed index not more than 50, when tested in accordance with ASTM E 84 or UL 723, using the specimen preparation and mounting procedures of ASTM E 2231. Duct coverings and linings shall not flame, glow, smolder or smoke when tested in accordance with ASTM C 411 at the temperature to which they are exposed in service. The test temperature shall not fall below 250°F (121°C).

**604.4 Foam plastic insulation.** Foam plastic used as duct coverings and linings shall conform to the requirements of Section 604.

**604.5 Appliance insulation.** *Listed and labeled* appliances that are internally insulated shall be considered as conforming to the requirements of Section 604.

**604.6 Penetration of assemblies.** Duct coverings shall not penetrate a wall or floor required to have a fire-resistance rating or required to be fireblocked.

**604.7 Identification.** External duct insulation, except spray polyurethane foam, and factory-insulated flexible duct shall be legibly printed or identified at intervals not greater than 36 inches (914 mm) with the name of the manufacturer, the thermal resistance *R*-value at the specified installed thickness and the flame spread and smoke-developed indexes of the composite materials. All duct insulation product *R*-values shall be based on insulation only, excluding air films, vapor retarders or other duct components, and shall be based on tested *C*-values at 75°F (24°C) mean temperature at the installed thickness, in accordance with recognized industry procedures. The installed thickness of duct insulation used to determine its *R*-value shall be determined as follows:

1. For duct board, duct liner and factory-made rigid ducts not normally subjected to compression, the nominal insulation thickness shall be used.
2. For duct wrap, the installed thickness shall be assumed to be 75 percent (25 percent compression) of nominal thickness.

3. For factory-made flexible air ducts, the installed thickness shall be determined by dividing the difference between the actual outside diameter and nominal inside diameter by two.
4. For spray polyurethane foam, the aged *R*-value per inch, measured in accordance with recognized industry standards, shall be provided to the customer in writing at the time of foam application.

**604.8 Lining installation.** Linings shall be interrupted at the area of operation of a fire damper and at a minimum of 6 inches (152 mm) upstream of and 6 inches (152 mm) downstream of electric-resistance and fuel-burning heaters in a duct system. Metal nosings or sleeves shall be installed over exposed duct liner edges that face opposite the direction of airflow.

**604.9 Thermal continuity.** Where a duct liner has been interrupted, a duct covering of equal thermal performance shall be installed.

**604.10 Service openings.** Service openings shall not be concealed by duct coverings unless the exact location of the opening is properly identified.

**604.11 Vapor retarders.** Where ducts used for cooling are externally insulated, the insulation shall be covered with a vapor retarder having a maximum permeance of 0.05 perm [2.87 ng/(Pa · s · m<sup>2</sup>)] or aluminum foil having a minimum thickness of 2 mils (0.051 mm). Insulations having a permeance of 0.05 perm [2.87 ng/(Pa · s · m<sup>2</sup>)] or less shall not be required to be covered. All joints and seams shall be sealed to maintain the continuity of the vapor retarder.

**604.12 Weatherproof barriers.** Insulated exterior ducts shall be protected with an *approved* weatherproof barrier.

**604.13 Internal insulation.** Materials used as internal insulation and exposed to the airstream in ducts shall be shown to be durable when tested in accordance with UL 181. Exposed internal insulation that is not impermeable to water shall not be used to line ducts or plenums from the exit of a cooling coil to the downstream end of the drain pan.

## SECTION 605 AIR FILTERS

**605.1 General.** Heating and air-conditioning systems of the central type shall be provided with *approved* air filters. Filters shall be installed in the return air system, upstream from any heat exchanger or coil, in an *approved* convenient location. Liquid adhesive coatings used on filters shall have a flash point not lower than 325°F (163°C).

**605.2 Approval.** Media-type and electrostatic-type air filters shall be *listed* and *labeled*. Media-type air filters shall comply with UL 900. High efficiency particulate air filters shall comply with UL 586. Electrostatic-type air filters shall comply with UL 867. Air filters utilized within *dwelling units* shall be designed for the intended application and shall not be required to be *listed* and *labeled*.

**605.3 Airflow over the filter.** Ducts shall be constructed to allow an even distribution of air over the entire filter.

## SECTION 606 SMOKE DETECTION SYSTEMS CONTROL

**606.1 Controls required.** Air distribution systems shall be equipped with smoke detectors *listed* and *labeled* for installation in air distribution systems, as required by this section. Duct smoke detectors shall comply with UL 268A. Other smoke detectors shall comply with UL 268.

**606.2 Where required.** Smoke detectors shall be installed where indicated in Sections 601.2, 606.2.1 through 606.2.3.

**Exception:** Smoke detectors shall not be required where air distribution systems are incapable of spreading smoke beyond the enclosing walls, floors and ceilings of the room or space in which the smoke is generated.

**606.2.1 Return air systems.** Smoke detectors shall be installed in return air systems with a design capacity greater than 2,000 cfm (0.9 m<sup>3</sup>/s), in the return air duct or *plenum* upstream of any filters, *exhaust air* connections, outdoor air connections, or decontamination *equipment* and appliances.

**Exception:** Smoke detectors are not required in the return air system where all portions of the building served by the air distribution system are protected by area smoke detectors connected to a fire alarm system in accordance with the *International Fire Code*. The area smoke detection system shall comply with Section 606.4.

**606.2.2 Common supply and return air systems.** Where multiple air-handling systems share common supply or return air ducts or plenums with a combined design capacity greater than 2,000 cfm (0.9 m<sup>3</sup>/s), the return air system shall be provided with smoke detectors in accordance with Section 606.2.1.

**Exception:** Individual smoke detectors shall not be required for each fan-powered terminal unit, provided that such units do not have an individual design capacity greater than 2,000 cfm (0.9 m<sup>3</sup>/s) and will be shut down by activation of one of the following:

1. Smoke detectors required by Sections 601.2, 606.2.1 and 606.2.3.
2. An *approved* area smoke detector system located in the return air *plenum* serving such units.
3. An area smoke detector system as prescribed in the exception to Section 606.2.1.

In all cases, the smoke detectors shall comply with Sections 606.4 and 606.4.1.

[W] The shutdown of fan-powered terminal units may be performed by a building automation system upon activation of smoke detection as described in Section 606.2.2, Exception Item 1, 2, or 3. The building automation system is not required to be listed as a smoke control system and is not required to comply with UL Standard 864, Standard for Control Units and Accessories for Fire Alarm Systems.

**606.2.3 Return air risers.** Where return air risers serve two or more stories and serve any portion of a return air system having a design capacity greater than 15,000 cfm (7.1 m<sup>3</sup>/s), smoke detectors shall be installed at each story. Such smoke

detectors shall be located upstream of the connection between the return air riser and any air ducts or plenums.

**606.3 Installation.** Smoke detectors required by this section shall be installed in accordance with NFPA 72. The required smoke detectors shall be installed to monitor the entire airflow conveyed by the system including return air and exhaust or relief air. Access shall be provided to smoke detectors for inspection and maintenance.

**606.4 Controls operation.** Upon activation, the smoke detectors shall shut down all operational capabilities of the air distribution system in accordance with the listing and labeling of appliances used in the system. Air distribution systems that are part of a smoke control system shall switch to the smoke control mode upon activation of a detector.

**606.4.1 Supervision.** The duct smoke detectors shall be connected to the building's fire alarm control panel as a supervisory signal ((a fire alarm system)) where a fire alarm system is required by Section 907.2 of the *International Fire Code*. Duct detectors shall not activate a fire alarm signal. The actuation of a duct smoke detector shall activate a visible and audible supervisory signal at a constantly attended location.

**Exceptions:**

1. The supervisory signal at a constantly attended location is not required where the duct smoke detector activates the building's alarm-indicating appliances.
2. In occupancies not required to be equipped with a fire alarm system, actuation of a smoke detector shall activate a visible and audible signal in an *approved* location. Duct smoke detector trouble conditions shall activate a visible or audible signal in an *approved* location and shall be identified as air duct detector trouble.

**[B] SECTION 607  
DUCT AND TRANSFER OPENINGS**

**607.1 General.** The provisions of this section shall govern the protection of duct penetrations and air transfer openings in assemblies required to be protected.

**607.1.1 Ducts that penetrate fire-resistance-rated assemblies without dampers.** Ducts that penetrate fire-resistance-rated assemblies and are not required by this section to have dampers shall comply with the requirements of Sections 713.2 through 713.3.3 of the *International Building Code*. Ducts that penetrate horizontal assemblies not required to be contained within a shaft and not required by this section to have dampers shall comply with the requirements of Sections 713.4 through 713.4.2.2 of the *International Building Code*.

**607.1.1.1 Ducts that penetrate nonfire-resistance-rated assemblies.** The space around a duct penetrating a nonfire-resistance-rated floor assembly shall comply with Section 716.6.3 of the *International Building Code*.

**607.2 Installation.** Fire dampers, smoke dampers, combination fire/smoke dampers and ceiling radiation dampers located within air distribution and smoke control systems shall be installed in accordance with the requirements of this section, and the manufacturer's installation instructions and listing.

**607.2.1 Smoke control system.** Where the installation of a fire damper will interfere with the operation of a required smoke control system in accordance with Section 909 of the *International Building Code*, *approved* alternative protection shall be used. Where mechanical systems including ducts and dampers used for normal building ventilation serve as part of the smoke control system, the expected performance of these systems in smoke control mode shall be addressed in the rational analysis required by Section 909.4 of the *International Building Code*.

**607.2.2 Hazardous exhaust ducts.** Fire dampers for hazardous exhaust duct systems shall comply with Section 510.

**607.3 Damper testing, ratings and actuation.** Damper testing, ratings and actuation shall be in accordance with Sections 607.3.1 through 607.3.3.

**607.3.1 Damper testing.** Dampers shall be *listed* and bear the label of an *approved* testing agency indicating compliance with the standards in this section. Fire dampers shall comply with the requirements of UL 555. Only fire dampers *labeled* for use in dynamic systems shall be installed in heating, ventilation and *air-conditioning* systems designed to operate with fans on during a fire. Smoke dampers shall comply with the requirements of UL 555S. Combination fire/smoke dampers shall comply with the requirements of both UL 555 and UL 555S. Ceiling radiation dampers shall comply with the requirements of UL 555C.

**607.3.2 Damper rating.** Damper ratings shall be in accordance with Sections 607.3.2.1 through 607.3.2.3.

**607.3.2.1 Fire damper ratings.** Fire dampers shall have the minimum fire protection rating specified in Table 607.3.2.1 for the type of penetration.

**TABLE 607.3.2.1  
FIRE DAMPER RATING**

TYPE OF PENETRATION	MINIMUM DAMPER RATING (hour)
Less than 3-hour fire-resistance-rated assemblies	1½
3-hour or greater fire-resistance-rated assemblies	3

**607.3.2.2 Smoke damper ratings.** Smoke damper leakage ratings shall not be less than Class II. Elevated temperature ratings shall not be less than 250°F (121°C).

**607.3.2.3 Combination fire/smoke damper ratings.** Combination fire/smoke dampers shall have the minimum fire protection rating specified for fire dampers in Table 607.3.2.1 for the type of penetration and shall also have a minimum Class II leakage rating and a minimum elevated temperature rating of 250°F (121°C).



**607.3.3 Damper actuation.** Damper actuation shall be in accordance with Sections 607.3.3.1 through 607.3.3.4 as applicable.

**607.3.3.1 Fire damper actuation device.** The fire damper actuation device shall meet one of the following requirements:

1. The operating temperature shall be approximately 50°F (28°C) above the normal temperature within the duct system, but not less than 160°F (71°C).
2. The operating temperature shall be not more than 350°F (177°C) where located in a smoke control system complying with Section 909 of the *International Building Code*.

**607.3.3.2 Smoke damper actuation.** The smoke damper shall close upon actuation of a *listed* smoke detector or detectors installed in accordance with Section 907.3 of the *International Building Code* and one of the following methods, as applicable:

1. Where a smoke damper is installed within a duct, a smoke detector shall be installed in the duct within 5 feet (1524 mm) of the damper with no air outlets or inlets between the detector and the damper. The detector shall be *listed* for the air velocity, temperature and humidity anticipated at the point where it is installed. Other than in mechanical smoke control systems, dampers shall be closed upon fan shutdown where local smoke detectors require a minimum velocity to operate.
2. Where a smoke damper is installed above smoke barrier doors in a smoke barrier, a spot-type detector *listed* for releasing service shall be installed on either side of the smoke barrier door opening.
3. Where a smoke damper is installed within an unducted opening in a wall, a spot-type detector *listed* for releasing service shall be installed within 5 feet (1524 mm) horizontally of the damper.
4. Where a smoke damper is installed in a corridor wall or ceiling, the damper shall be permitted to be controlled by a smoke detection system installed in the corridor.
5. Where a total-coverage smoke detector system is provided within areas served by a heating, ventilation and air-conditioning (HVAC) system, smoke dampers shall be permitted to be controlled by the smoke detection system.

**607.3.3.3 Combination fire/smoke damper actuation.** Combination fire/smoke damper actuation shall be in accordance with Sections 607.3.3.1 and 607.3.3.2. Combination fire/smoke dampers installed in smoke control system shaft penetrations shall not be activated by local area smoke detection unless it is secondary to the smoke management system controls.

**607.3.3.4 Ceiling radiation damper actuation.** The operating temperature of a ceiling radiation damper actuation device shall be 50°F (28°C) above the normal tem-

perature within the duct system, but not less than 160°F (71°C).

**607.4 Access and identification.** Fire and smoke dampers shall be provided with an *approved* means of access, large enough to permit inspection and maintenance of the damper and its operating parts. The access shall not affect the integrity of fire-resistance-rated assemblies. The access openings shall not reduce the fire-resistance rating of the assembly. Access points shall be permanently identified on the exterior by a label having letters not less than 0.5 inch (12.7 mm) in height reading: FIRE/SMOKE DAMPER, SMOKE DAMPER or FIRE DAMPER. Access doors in ducts shall be tight fitting and suitable for the required duct construction.

**607.5 Where required.** Fire dampers, smoke dampers and combination fire/smoke dampers shall be provided at the locations prescribed in Sections 607.5.1 through 607.5.7. Where an assembly is required to have both fire dampers and smoke dampers, combination fire/smoke dampers or a fire damper and smoke damper shall be required.

**607.5.1 Fire walls.** Ducts and air transfer openings permitted in fire walls in accordance with Section 706.11 of the *International Building Code* shall be protected with *listed* fire dampers installed in accordance with their listing.

**607.5.1.1 Horizontal exits.** A *listed smoke damper* designed to resist the passage of smoke shall be provided at each point that a duct or air transfer opening penetrates a *fire wall* that serves as a horizontal *exit*.

**607.5.2 Fire barriers.** Ducts and air transfer openings that penetrate fire barriers shall be protected with *listed* fire dampers installed in accordance with their listing. Ducts and air transfer openings shall not penetrate exit enclosures and exit passageways except as permitted by Sections 1022.4 and 1023.6, respectively, of the *International Building Code*.

**Exception:** Fire dampers are not required at penetrations of fire barriers where any of the following apply:

1. Penetrations are tested in accordance with ASTM E 119 or UL 263 as part of the fire-resistance-rated assembly.
2. Ducts are used as part of an *approved* smoke control system in accordance with Section 513 and where the fire damper would interfere with the operation of the smoke control system.
3. Such walls are penetrated by ducted HVAC systems, have a required fire-resistance rating of 1 hour or less, are in areas of other than Group H and are in buildings equipped throughout with an automatic sprinkler system in accordance with Section 903.3.1.1 or 903.3.1.2 of the *International Building Code*. For the purposes of this exception, a ducted HVAC system shall be a duct system for the structure's HVAC system. Such a duct system shall be constructed of sheet steel not less than 26 gage [0.0217 inch (0.55 mm)] thickness and shall be continuous from the air-handling *appliance* or *equipment* to the air outlet and inlet terminals.



**607.5.2.1 Horizontal exits.** A *listed smoke damper* designed to resist the passage of smoke shall be provided at each point that a duct or air transfer opening penetrates a *fire barrier* that serves as a horizontal *exit*.

**607.5.3 Fire partitions.** Ducts and air transfer openings that penetrate fire partitions shall be protected with *listed* fire dampers installed in accordance with their listing.

**Exception:** In occupancies other than Group H, fire dampers are not required where any of the following apply:

1. Corridor walls in buildings equipped throughout with an automatic sprinkler system in accordance with Section 903.3.1.1 or 903.3.1.2 of the *International Building Code* and the duct is protected as a through penetration in accordance with Section 713 of the *International Building Code*.
2. The partitions are tenant partitions in covered mall buildings where the walls are not required by provisions elsewhere in the *International Building Code* to extend to the underside of the floor or roof sheathing, slab or deck above.
3. The duct system is constructed of *approved* materials in accordance with Section 603 and the duct penetrating the wall complies with all of the following requirements:
  - 3.1. The duct shall not exceed 100 square inches (0.06 m<sup>2</sup>).
  - 3.2. The duct shall be constructed of steel a minimum of 0.0217 inch (0.55 mm) in thickness.
  - 3.3. The duct shall not have openings that communicate the corridor with adjacent spaces or rooms.
  - 3.4. The duct shall be installed above a ceiling.
  - 3.5. The duct shall not terminate at a wall register in the fire-resistance-rated wall.
  - 3.6. A minimum 12-inch-long (305 mm) by 0.060-inch-thick (1.52 mm) steel sleeve shall be centered in each duct opening. The sleeve shall be secured to both sides of the wall and all four sides of the sleeve with minimum 1<sup>1</sup>/<sub>2</sub>-inch by 1<sup>1</sup>/<sub>2</sub>-inch by 0.060-inch (38 mm by 38 mm by 1.52 mm) steel retaining angles. The retaining angles shall be secured to the sleeve and the wall with No. 10 (M5) screws. The annular space between the steel sleeve and the wall opening shall be filled with rock (mineral) wool batting on all sides.

**607.5.4 Corridors/smoke barriers.** A *listed* smoke damper designed to resist the passage of smoke shall be provided at each point a duct or air transfer opening penetrates a smoke barrier wall or a corridor enclosure required to have smoke

and draft control doors in accordance with the *International Building Code*. Smoke dampers and smoke damper actuation methods shall comply with Section 607.5.4.1.

**Exceptions:**

1. Smoke dampers are not required in corridor penetrations where the building is equipped throughout with an *approved* smoke control system in accordance with Section 513 and smoke dampers are not necessary for the operation and control of the system.
2. Smoke dampers are not required in smoke barrier penetrations where the openings in ducts are limited to a single smoke compartment and the ducts are constructed of steel.
3. Smoke dampers are not required in corridor penetrations where the duct is constructed of steel not less than 0.019 inch (0.48 mm) in thickness and there are no openings serving the corridor.

**607.5.4.1 Smoke damper.** The smoke damper shall close upon actuation of a *listed* smoke detector or detectors installed in accordance with the *International Building Code* and one of the following methods, as applicable:

1. Where a damper is installed within a duct, a smoke detector shall be installed in the duct within 5 feet (1524 mm) of the damper with no air outlets or inlets between the detector and the damper. The detector shall be *listed* for the air velocity, temperature and humidity anticipated at the point where it is installed.
2. Where a damper is installed above smoke barrier doors in a smoke barrier, a spot-type detector *listed* for releasing service shall be installed on either side of the smoke barrier door opening.
3. Where a damper is installed within an unducted opening in a wall, a spot-type detector *listed* for releasing service shall be installed within 5 feet (1524 mm) horizontally of the damper.
4. Where a damper is installed in a corridor wall, the damper shall be permitted to be controlled by a smoke detection system installed in the corridor.
5. Where a total-coverage smoke detector system is provided within all areas served by an HVAC system, dampers shall be permitted to be controlled by the smoke detection system.

**607.5.5 Shaft enclosures.** Shaft enclosures that are permitted to be penetrated by ducts and air transfer openings shall be protected with *approved* fire and smoke dampers installed in accordance with their listing.

**Exceptions:**

1. Fire dampers are not required at penetrations of shafts where:

- 1.1. Steel exhaust subducts extend at least 22 inches (559 mm) vertically in exhaust shafts provided that there is a continuous airflow upward to the outdoors; or
  - 1.2. Penetrations are tested in accordance with ASTM E 119 or UL 263 as part of the fire-resistance-rated assembly; or
  - 1.3. Ducts are used as part of an *approved* smoke control system in accordance with Section 909 of the *International Building Code*, and where the fire damper will interfere with the operation of the smoke control system; or
  - 1.4. The penetrations are in parking garage exhaust or supply shafts that are separated from other building shafts by not less than 2-hour fire-resistance-rated construction.
2. In Group B and R occupancies equipped throughout with an automatic sprinkler system in accordance with Section 903.3.1.1 of the *International Building Code*, smoke dampers are not required at penetrations of shafts where kitchen, clothes dryer, bathroom and toilet room exhaust openings with steel exhaust subducts, having a minimum thickness of 0.0187 inch (0.4712 mm) (No. 26 gage), extend at least 22 inches (559 mm) vertically and the exhaust fan at the upper terminus is powered continuously in accordance with the provisions of Section 909.11 of the *International Building Code*, and maintains airflow upward to the outdoors.
  3. Smoke dampers are not required at penetrations of exhaust or supply shafts in parking garages that are separated from other building shafts by not less than 2-hour fire-resistance-rated construction.
  4. Smoke dampers are not required at penetrations of shafts where ducts are used as part of an *approved* mechanical smoke control system designed in accordance with Section 909 of the *International Building Code* and where the smoke damper will interfere with the operation of the smoke control system.
  5. Fire dampers and combination fire/smoke dampers are not required in kitchen and clothes dryer exhaust systems installed in accordance with this code.

**607.5.5.1 Enclosure at the bottom.** Shaft enclosures that do not extend to the bottom of the building or structure shall be protected in accordance with Section 708.11 of the *International Building Code*.

**607.5.6 Exterior walls.** Ducts and air transfer openings in fire-resistance-rated exterior walls required to have protected openings in accordance with Section 705.10 of the *International Building Code* shall be protected with *listed* fire dampers installed in accordance with their listing.

**607.5.7 Smoke partitions.** A *listed* smoke damper designed to resist the passage of smoke shall be provided at each point where an air transfer opening penetrates a smoke partition. Smoke dampers and smoke damper actuation methods shall comply with Section 607.3.3.2.

**Exception:** Where the installation of a smoke damper will interfere with the operation of a required smoke control system in accordance with Section 513, *approved* alternate protection shall be used.

**607.6 Horizontal assemblies.** Penetrations by air ducts of a floor, floor/ceiling assembly or the ceiling membrane of a roof/ceiling assembly shall be protected by a shaft enclosure that complies with Section 708 and Sections 716.6.1 through 716.6.3 of the *International Building Code* or shall comply with Sections 607.6.1 through 607.6.3.

**607.6.1 Through penetrations.** In occupancies other than Groups I-2 and I-3, a duct constructed of *approved* materials in accordance with Section 603 that penetrates a fire-resistance-rated floor/ceiling assembly that connects not more than two stories is permitted without shaft enclosure protection provided that a *listed* fire damper is installed at the floor line or the duct is protected in accordance with Section 713.4 of the *International Building Code*. For air transfer openings, see Exception 7, Section 708.2 of the *International Building Code*.

**Exception:** A duct is permitted to penetrate three floors or less without a fire damper at each floor provided it meets all of the following requirements.

1. The duct shall be contained and located within the cavity of a wall and shall be constructed of steel having a minimum thickness of 0.0187 inch (0.4712 mm) (No. 26 gage).
2. The duct shall open into only one *dwelling unit* or *sleeping unit* and the duct system shall be continuous from the unit to the exterior of the building.
3. The duct shall not exceed 4-inch (102 mm) nominal diameter and the total area of such ducts shall not exceed 100 square inches for any 100 square feet (64 516 mm<sup>2</sup> per 9.3 m<sup>2</sup>) of the floor area.
4. The annular space around the duct is protected with materials that prevent the passage of flame and hot gases sufficient to ignite cotton waste when subjected to ASTM E 119 or UL 263 time-temperature conditions under a minimum positive pressure differential of 0.01 inch (2.49 Pa) of water at the location of the penetration for the time period equivalent to the fire-resistance rating of the construction penetrated.
5. Grille openings located in a ceiling of a fire-resistance-rated floor/ceiling or roof/ceiling assembly shall be protected with a *listed* ceiling radiation damper installed in accordance with Section 607.6.2.1.

**607.6.2 Membrane penetrations.** Ducts and air transfer openings constructed of *approved* materials, in accordance

with Section 603, that penetrate the ceiling membrane of a fire-resistance-rated floor/ceiling or roof/ceiling assembly shall be protected with one of the following:

1. A shaft enclosure in accordance with Section 708 of the *International Building Code*.
2. A *listed* ceiling radiation damper installed at the ceiling line where a duct penetrates the ceiling of a fire-resistance-rated floor/ceiling or roof/ceiling assembly.
3. A *listed* ceiling radiation damper installed at the ceiling line where a diffuser with no duct attached penetrates the ceiling of a fire-resistance-rated floor/ceiling or roof/ceiling assembly.

**607.6.2.1 Ceiling radiation dampers.** *Ceiling radiation dampers* shall be tested as part of a fire-resistance-rated floor/ceiling or roof/ceiling assembly in accordance with ASTM E 119 or UL 263. *Ceiling radiation dampers* shall be installed in accordance with the details *listed* in the fire-resistance-rated assembly and the manufacturer's installation instructions and the listing. *Ceiling radiation dampers* are not required where either of the following applies:

1. Tests in accordance with ASTM E 119 or UL 263 have shown that ceiling radiation dampers are not necessary to maintain the fire-resistance rating of the assembly.
2. Where exhaust duct penetrations are protected in accordance with Section 713.4.1.2 of the *International Building Code*, are located within the cavity of a wall and do not pass through another *dwelling unit* or tenant space.

**607.6.3 Nonfire-resistance-rated floor assemblies.** Duct systems constructed of *approved* materials in accordance with Section 603 that penetrate nonfire-resistance-rated floor assemblies shall be protected by any of the following methods:

1. A shaft enclosure in accordance with Section 708 of the *International Building Code*.
2. The duct connects not more than two stories, and the annular space around the penetrating duct is protected with an *approved* noncombustible material that resists the free passage of flame and the products of *combustion*.
3. The duct connects not more than three stories, and the annular space around the penetrating duct is protected with an *approved* noncombustible material that resists the free passage of flame and the products of *combustion*, and a *listed* fire damper is installed at each floor line.

**Exception:** Fire dampers are not required in ducts within individual residential *dwelling units*.

**607.7 Flexible ducts and air connectors.** Flexible ducts and air connectors shall not pass through any fire-resistance-rated assembly.





## CHAPTER 7

# COMBUSTION AIR

### SECTION 701 GENERAL

**701.1 Scope.** This chapter shall apply to those requirements necessary to ensure that adequate air for safe *combustion* is provided for oil-burning *appliances* and *equipment*. Solid fuel-burning *appliances*, *fireplaces*, and *fireplace stoves* shall be provided with *combustion air* in accordance with the appliance manufacturer's installation instructions and *International Building Code* Section 2111. ((Oil-fired *appliances* shall be provided with *combustion air* in accordance with NFPA 31. The methods of providing *combustion air* in this chapter do not apply to fireplaces, fireplace stoves and d)) Direct-vent *appliances* shall be provided with *combustion air* in accordance with the appliance manufacturer's installation instructions. The requirements for combustion and dilution air for gas-fired *appliances* shall be in accordance with the *International Fuel Gas Code*.

**701.2 General.** *Combustion air* ducts shall:

1. Be of galvanized steel complying with Chapter 6 or of equivalent corrosion-resistant material *approved* for this application.

**Exception:** Within *dwelling units*, unobstructed stud and joist spaces shall not be prohibited from conveying *combustion air*, provided that not more than one required fireblock is removed.

2. Have a minimum cross-sectional dimension of 3 inches (76 mm).
3. Terminate in an unobstructed space allowing free movement of *combustion air* to the appliances.
4. Have the same cross-sectional areas as the free area of the openings to which they connect.
5. Serve a single appliance enclosure.
6. Not serve both upper and lower *combustion air* openings where both such openings are used. The separation between ducts serving upper and lower *combustion air* openings shall be maintained to the source of *combustion air*.
7. Not be screened where terminating in an attic space.
8. Not slope downward toward the source of combustion air, where serving the upper required combustion air opening.

**701.3 Prohibited sources.** Openings and ducts shall not connect appliance enclosures with a space in which the operation of a fan will adversely affect the flow of the *combustion air*. *Combustion air* shall not be obtained from a *hazardous location*, except where the fuel-fired appliances are located within the *hazardous location* and are installed in accordance with this code. *Combustion air* shall not be taken from a refrigeration machinery room, except where a refrigerant vapor detector system is installed to automatically shut off the combustion

process in the event of refrigerant leakage. *Combustion air* shall not be obtained from any location below the design flood elevation.

**701.4 Opening location and protection.** *Combustion air* openings to the outdoors shall comply with the location and protection provisions of Sections 401.4 and 401.5 applicable to outdoor air intake openings.

### SECTION 702 APPLIANCES LOCATED IN UNCONFINED SPACES

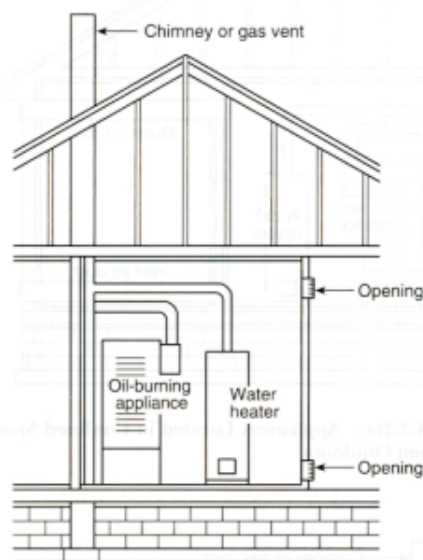
**702.1** In *unconfined spaces*, air for combustion and ventilation shall be obtained directly from outdoors or from spaces that freely communicate with outdoors by means of a permanent opening or openings having a total free area of not less than 1 in.<sup>2</sup> per 5000 Btu/hr (28 in.<sup>2</sup> per gal/hr) (4.4 cm<sup>2</sup>/kW), based on the total input rating of all appliances in the space.

### SECTION 703 APPLIANCES LOCATED IN CONFINED SPACES

**703.1** For appliances installed in *confined spaces*, air for combustion and ventilation shall be provided using one of the methods set forth in this section.

**703.2 All air taken from inside the building.**

**703.2.1** The *confined space* shall be provided with two permanent openings as shown in Figure 703.2.1, one within 1 foot of the top of the space and one within 1 foot of the bottom of the space.



**FIGURE 703.2.1**  
**APPLIANCES LOCATED IN CONFINED SPACES—**  
**ALL AIR TAKEN FROM INSIDE THE BUILDING**

**703.2.2** Each opening shall have a free area of not less than 1 inch<sup>2</sup> per 1000 Btu/hr (140 in.<sup>2</sup> per gal/hr) (22 cm<sup>2</sup>/kW), based on the total input rating of all appliances in the space.

**703.2.3** Each opening shall freely communicate with interior areas of the building that, in turn, have adequate infiltration from the outside.

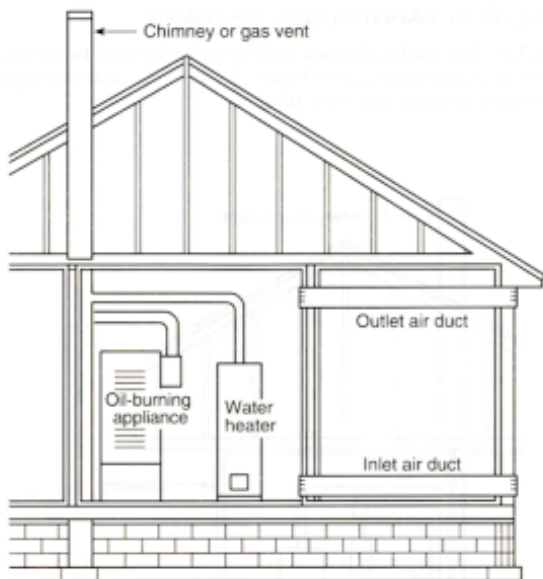
**703.3 All air taken from outdoors.**

**703.3.1** The *confined space* shall be provided with two permanent openings, one within 1 foot of the top of the space and one within 1 foot of the bottom of the space.

**703.3.2** The openings shall communicate directly or by means of ducts with the outdoors or to spaces, such as an attic or crawl space, that themselves freely communicate with the outdoors, as shown in Figure 703.3.2 (a), Figure 703.3.2 (b), and Figure 703.3.2 (c).

**703.3.3** Where communicating with outdoors directly or by means of vertical ducts, each opening shall have a free area of not less than 1 inch<sup>2</sup> per 4000 Btu/hr (35 inch<sup>2</sup> per gal/hr) (5.5 cm<sup>2</sup>/kW), based on the total input rating of all appliances in the space.

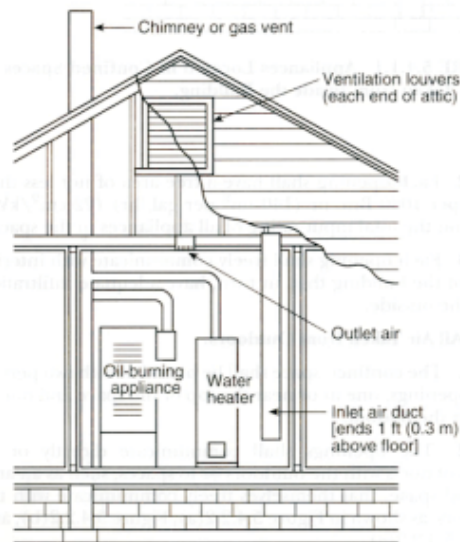
**703.3.4** Where communicating with outdoors by means of horizontal ducts or a combination of horizontal and vertical ducts, each opening shall have a free area of not less than 1 inch<sup>2</sup> per 2000 Btu/hr (70 inch<sup>2</sup> per gal/hr) (11 cm<sup>2</sup>/kW), based on the total input rating of all appliances in the space.



**FIGURE 703.3.2(a)**  
**APPLIANCES LOCATED IN CONFINED SPACES—**  
**ALL AIR FROM OUTDOORS**

**SECTION 704**  
**OPENING OBSTRUCTIONS**

**704.1 General.** The required size of openings for combustion and dilution air shall be based on the net free area of each opening. The net free area of an opening shall be that specified by the manufacturer of the opening covering. In the absence of such information, the blocking effect of louvers, grilles, or



**FIGURE 703.3.2(b)**  
**APPLIANCES LOCATED IN CONFINED SPACES—**  
**ALL AIR FROM OUTDOORS THROUGH VENTILATED ATTIC**



**FIGURE 703.3.2(c)**  
**APPLIANCES LOCATED IN CONFINED SPACES—**  
**ALL AIR FROM OUTDOORS, WITH INLET AIR FROM**  
**VENTILATED CRAWL SPACE AND OUTLET AIR TO**  
**VENTILATED ATTIC**

screens protecting openings shall be taken into consideration. Openings covered with metal louvers shall be deemed to have a net free area of 75 percent of the area of the opening, and openings covered with wood louvers shall be deemed to have a net free area of 25 percent of the area of the opening. Louvers and grilles shall be fixed in the open position.

**Exception:** Louvers interlocked with the appliance so that they are proven to be in the full open position prior to main burner ignition and during main burner operation. Means

shall be provided to prevent the main burner from igniting if the louvers fail to open during burner startup and to shut down the main burner if the louvers close during operation.

**704.2 Screens.** Screens used in louvers or grilles shall not be smaller than  $\frac{1}{4}$  inch (6.3 mm) mesh and shall be accessible for cleaning.

**704.3 Dampened openings.** Where the combustion air openings are provided with volume, smoke or fire dampers, the dampers shall be electrically interlocked with the firing cycle of the appliances served, so as to prevent operation of any appliance that draws combustion and dilution air from the room when any of the dampers are closed. Manually operated dampers shall not be installed in combustion air openings.

## **SECTION 705 FORCED COMBUSTION AIR SUPPLY**

**705.1 General.** Where all *combustion air* and dilution air is provided by a mechanical forced-air system, the *combustion air* and dilution air shall be supplied at the minimum rate of 1 cfm per 2,400 Btu/h [0.00067 m<sup>3</sup>/(s · kW)] of combined input rating of all the fuel-burning appliances served. Each of the appliances served shall be electrically interlocked to the mechanical forced-air system so as to prevent operation of the appliances when the mechanical system is not in operation. Where *combustion air* and dilution air is provided by the building's mechanical ventilation system, the system shall provide the specified combustion/dilution air rate in addition to the required *ventilation air*.





## CHAPTER 8

# CHIMNEYS AND VENTS

### SECTION 801 GENERAL

**801.1 Scope.** This chapter shall govern the installation, maintenance, repair and approval of factory-built chimneys, *chimney* liners, vents and connectors. This chapter shall also govern the utilization of masonry chimneys. Gas-fired *appliances* shall be vented in accordance with the *International Fuel Gas Code*.

**801.2 General.** Every fuel-burning *appliance* shall discharge the products of *combustion* to a vent, factory-built *chimney* or masonry *chimney*, except for *appliances* vented in accordance with Section 804. The *chimney* or vent shall be designed for the type of *appliance* being vented.

**Exception:** Commercial cooking *appliances* vented by a Type I hood installed in accordance with Section 507.

**801.2.1 Oil-fired appliances.** Oil-fired *appliances* shall be vented in accordance with this code and NFPA 31.

**801.3 Masonry chimneys.** Masonry *chimneys* shall be constructed in accordance with the *International Building Code*.

**801.4 Positive flow.** Venting systems shall be designed and constructed so as to develop a positive flow adequate to convey all *combustion* products to the outside atmosphere.

**801.5 Design.** Venting systems shall be designed in accordance with this chapter or shall be *approved* engineered systems.

**801.6 Minimum size of chimney or vent.** Except as otherwise provided for in this chapter, the size of the *chimney* or vent, serving a single *appliance*, except engineered systems, shall have a minimum area equal to the area of the *appliance* connection.

**801.7 Solid fuel appliance flues.** The cross-sectional area of a flue serving a solid-fuel-burning *appliance* shall be not greater than three times the cross-sectional area of the *appliance* flue collar or flue outlet.

**801.8 Abandoned inlet openings.** Abandoned inlet openings in chimneys and vents shall be closed by an *approved* method.

**801.9 Positive pressure.** Where an *appliance* equipped with a forced or induced draft system creates a positive pressure in the venting system, the venting system shall be designed and *listed* for positive pressure applications.

**801.10 Connection to fireplace.** Connection of *appliances* to *chimney* flues serving fireplaces shall be in accordance with Sections 801.10.1 through 801.10.3.

**801.10.1 Closure and access.** A noncombustible seal shall be provided below the point of connection to prevent entry of room air into the flue. Means shall be provided for *access* to the flue for inspection and cleaning.

**801.10.2 Connection to factory-built fireplace flue.** An *appliance* shall not be connected to a flue serving a factory-built fireplace unless the *appliance* is specifically *listed* for such installation. The connection shall be made in accor-

dance with the *appliance* manufacturer's installation instructions.

**801.10.3 Connection to masonry fireplace flue.** A connector shall extend from the *appliance* to the flue serving a masonry fireplace such that the flue gases are exhausted directly into the flue. The connector shall be provided with access or shall be removable for inspection and cleaning of both the connector and the flue. *Listed* direct connection devices shall be installed in accordance with their listing.

**801.11 Multiple solid fuel prohibited.** A solid fuel-burning *appliance* or fireplace shall not connect to a *chimney* passageway venting another *appliance*.

**801.12 Chimney entrance.** Connectors shall connect to a *chimney* flue at a point not less than 12 inches (305 mm) above the lowest portion of the interior of the *chimney* flue.

**801.13 Cleanouts.** Masonry *chimney* flues shall be provided with a cleanout opening having a minimum height of 6 inches (152 mm). The upper edge of the opening shall be located not less than 6 inches (152 mm) below the lowest *chimney* inlet opening. The cleanout shall be provided with a tight-fitting, noncombustible cover.

**Exception:** Cleanouts shall not be required for *chimney* flues serving masonry fireplaces, if such flues are provided with access through the fireplace opening.

**801.14 Connections to exhauster.** All *appliance* connections to a *chimney* or vent equipped with a power exhauster shall be made on the inlet side of the exhauster. All joints and piping on the positive pressure side of the exhauster shall be *listed* for positive pressure applications as specified by the manufacturer's installation instructions for the exhauster.

**801.15 Fuel-fired appliances.** Masonry chimneys utilized to vent fuel-fired *appliances* shall be located, constructed and sized as specified in the manufacturer's installation instructions for the *appliances* being vented.

**801.16 Flue lining.** Masonry chimneys shall be lined. The lining material shall be compatible with the type of *appliance* connected, in accordance with the *appliance* listing and manufacturer's installation instructions. *Listed* materials used as flue linings shall be installed in accordance with their listings and the manufacturer's installation instructions.

**801.16.1 Residential and low-heat appliances (general).** Flue lining systems for use with residential-type and low-heat appliances shall be limited to the following:

1. Clay flue lining complying with the requirements of ASTM C 315 or equivalent. Clay flue lining shall be installed in accordance with the *International Building Code*.
2. *Listed* *chimney* lining systems complying with UL 1777.

3. Other *approved* materials that will resist, without cracking, softening or corrosion, flue gases and condensate at temperatures up to 1,800°F (982°C).

**801.17 Space around lining.** The space surrounding a flue lining system or other vent installed within a masonry *chimney* shall not be used to vent any other *appliance*. This shall not prevent the installation of a separate flue lining in accordance with the manufacturer’s installation instructions and this code.

**801.18 Existing chimneys and vents.** Where an *appliance* is permanently disconnected from an existing *chimney* or vent, or where an *appliance* is connected to an existing *chimney* or vent during the process of a new installation, the *chimney* or vent shall comply with Sections 801.18.1 through 801.18.4.

**801.18.1 Size.** The *chimney* or vent shall be resized as necessary to control flue gas condensation in the interior of the *chimney* or vent and to provide the *appliance* or *appliances* served with the required draft. For the venting of oil-fired *appliances* to masonry chimneys, the resizing shall be in accordance with NFPA 31.

**801.18.2 Flue passageways.** The flue gas passageway shall be free of obstructions and combustible deposits and shall be cleaned if previously used for venting a solid or liquid fuel-burning *appliance* or fireplace. The flue liner, *chimney* inner wall or vent inner wall shall be continuous and shall be free of cracks, gaps, perforations or other damage or deterioration which would allow the escape of *combustion* products, including gases, moisture and creosote. Where an oil-fired *appliance* is connected to an existing masonry *chimney*, such *chimney* flue shall be repaired or relined in accordance with NFPA 31.

**801.18.3 Cleanout.** Masonry chimneys shall be provided with a cleanout opening complying with Section 801.13.

**801.18.4 Clearances.** Chimneys and vents shall have air-space *clearance* to combustibles in accordance with the *International Building Code* and the *chimney* or vent manufacturer’s installation instructions.

**Exception:** Masonry chimneys without the required air-space *clearances* shall be permitted to be used if lined or relined with a *chimney* lining system *listed* for use in chimneys with reduced *clearances* in accordance with UL 1777. The *chimney clearance* shall be not less than permitted by the terms of the *chimney* liner listing and the manufacturer’s instructions.

**801.18.4.1 Fireblocking.** Noncombustible fireblocking shall be provided in accordance with the *International Building Code*.

**801.19 Multistory prohibited.** Common venting systems for appliances located on more than one floor level shall be prohibited, except where all of the appliances served by the common vent are located in rooms or spaces that are accessed only from the outdoors. The *appliance* enclosures shall not communicate with the occupiable areas of the building.

**801.20 Plastic vent joints.** Plastic pipe and fittings used to vent appliances shall be installed in accordance with the *appliance* manufacturer’s installation instructions.

**SECTION 802  
VENTS**

**802.1 General.** All vent systems shall be *listed* and *labeled*. Type L vents and pellet vents shall be tested in accordance with UL 641.

**802.2 Vent application.** The application of vents shall be in accordance with Table 802.2.

**TABLE 802.2  
VENT APPLICATION**

VENT TYPES	APPLIANCE TYPES
Type L oil vents	Oil-burning appliances listed and labeled for venting with Type L vents; gas appliances listed and labeled for venting with Type B vents.
Pellet vents	Pellet fuel-burning appliances listed and labeled for venting with pellet vents.

**802.3 Installation.** Vent systems shall be sized, installed and terminated in accordance with the vent and *appliance* manufacturer’s installation instructions.

**802.4 Vent termination caps required.** Type L vents shall terminate with a *listed* and *labeled* cap in accordance with the vent manufacturer’s installation instructions.

**802.5 Type L vent terminations.** Type L vents shall terminate not less than 2 feet (610 mm) above the highest point of the roof penetration and not less than 2 feet (610 mm) higher than any portion of a building within 10 feet (3048 mm).

**802.6 Minimum vent heights.** Vents shall terminate not less than 5 feet (1524 mm) in vertical height above the highest connected *appliance* flue collar.

**Exceptions:**

1. Venting systems of direct vent *appliances* shall be installed in accordance with the *appliance* and the vent manufacturer’s instructions.
2. Appliances *listed* for outdoor installations incorporating integral venting means shall be installed in accordance with their listings and the manufacturer’s installation instructions.
3. Pellet vents shall be installed in accordance with the *appliance* and the vent manufacturer’s installation instructions.

**802.7 Support of vents.** All portions of vents shall be adequately supported for the design and weight of the materials employed.

**802.8 Insulation shield.** Where vents pass through insulated assemblies, an insulation shield constructed of not less than No. 26 gage sheet metal shall be installed to provide *clearance* between the vent and the insulation material. The *clearance* shall be not less than the *clearance* to combustibles specified by the vent manufacturer’s installation instructions. Where vents pass through attic space, the shield shall terminate not less than 2 inches (51 mm) above the insulation materials and shall be secured in place to prevent displacement. Insulation shields provided as part of a *listed* vent system shall be installed in accordance with the manufacturer’s installation instructions.

**SECTION 803  
CONNECTORS**

**803.1 Connectors required.** Connectors shall be used to connect *appliances* to the vertical *chimney* or vent, except where the *chimney* or vent is attached directly to the *appliance*.

**803.2 Location.** Connectors shall be located entirely within the room in which the connecting *appliance* is located, except as provided for in Section 803.10.4. Where passing through an unheated space, a connector shall not be constructed of single-wall pipe.

**803.3 Size.** The connector shall not be smaller than the size of the flue collar supplied by the manufacturer of the *appliance*. Where the *appliance* has more than one flue outlet, and in the absence of the manufacturer’s specific instructions, the connector area shall be not less than the combined area of the flue outlets for which it acts as a common connector.

**803.4 Branch connections.** All branch connections to the vent connector shall be made in accordance with the vent manufacturer’s instructions.

**803.5 Manual dampers.** Manual dampers shall not be installed in connectors except in *chimney* connectors serving solid fuel-burning *appliances*.

**803.6 Automatic dampers.** Automatic dampers shall be *listed* and *labeled* in accordance with UL 17 for oil-fired heating appliances. The dampers shall be installed in accordance with the manufacturer’s installation instructions. An automatic vent damper device shall not be installed on an existing *appliance* unless the *appliance* is *listed* and *labeled* and the device is installed in accordance with the terms of its listing. The name of the installer and date of installation shall be marked on a label affixed to the damper device.

**803.7 Connectors serving two or more appliances.** Where two or more connectors enter a common vent or *chimney*, the smaller connector shall enter at the highest level consistent with available headroom or *clearance* to combustible material.

**803.8 Vent connector construction.** Vent connectors shall be constructed of metal. The minimum thickness of the connector shall be 0.0136 inch (0.345 mm) (No. 28 gage) for galvanized steel, 0.022 inch (0.6 mm) (No. 26 B & S gage) for copper, and 0.020 inch (0.5 mm) (No. 24 B & S gage) for aluminum.

**803.9 Chimney connector construction.** *Chimney* connectors for low-heat *appliances* shall be of sheet steel pipe having resistance to corrosion and heat not less than that of galvanized steel specified in Table 803.9(1). Connectors for medium-heat *appliances* and high-heat appliances shall be of sheet steel not less than the thickness specified in Table 803.9(2).

**803.10 Installation.** Connectors shall be installed in accordance with Sections 803.10.1 through 803.10.6.

**803.10.1 Supports and joints.** Connectors shall be supported in an *approved* manner, and joints shall be fastened with sheet metal screws, rivets or other *approved* means.

**803.10.2 Length.** The maximum horizontal length of a single-wall connector shall be 75 percent of the height of the *chimney* or vent.

**TABLE 803.9(1)  
MINIMUM CHIMNEY CONNECTOR THICKNESS FOR  
LOW-HEAT APPLIANCES**

DIAMETER OF CONNECTOR (inches)	MINIMUM NOMINAL THICKNESS (galvanized) (inches)
5 and smaller	0.022 (No. 26 gage)
Larger than 5 and up to 10	0.028 (No. 24 gage)
Larger than 10 and up to 16	0.034 (No. 22 gage)
Larger than 16	0.064 (No. 16 gage)

For SI: 1 inch = 25.4 mm.

**TABLE 803.9(2)  
MINIMUM CHIMNEY CONNECTOR THICKNESS FOR  
MEDIUM- AND HIGH-HEAT APPLIANCES**

AREA (square inches)	EQUIVALENT ROUND DIAMETER (inches)	MINIMUM THICKNESS (inches)
0-154	0-14	0.0575 (No. 16 gage)
155-201	15-16	0.075 (No. 14 gage)
202-254	17-18	0.0994 (No. 12 gage)
Greater than 254	Greater than 18	0.1292 (No. 10 gage)

For SI: 1 inch = 25.4 mm, 1 square inch = 645.16 mm<sup>2</sup>.

**803.10.3 Connection.** The connector shall extend to the inner face of the *chimney* or vent liner, but not beyond. A connector entering a masonry *chimney* shall be cemented to masonry in an *approved* manner. Where thimbles are installed to facilitate removal of the connector from the masonry *chimney*, the thimble shall be permanently cemented in place with high-temperature cement.

**803.10.4 Connector pass-through.** *Chimney* connectors shall not pass through any floor or ceiling, nor through a fire-resistance-rated wall assembly. *Chimney* connectors for domestic-type *appliances* shall not pass through walls or partitions constructed of combustible material to reach a masonry *chimney* unless:

1. The connector is *labeled* for wall pass-through and is installed in accordance with the manufacturer’s instructions;
2. The connector is put through a device *labeled* for wall pass-through; or
3. The connector has a diameter not larger than 10 inches (254 mm) and is installed in accordance with one of the methods in Table 803.10.4. Concealed metal parts of the pass-through system in contact with flue gases shall be of stainless steel or equivalent material that resists corrosion, softening or cracking up to 1,800°F (980°C).



**TABLE 803.10.4  
CHIMNEY CONNECTOR SYSTEMS AND CLEARANCES  
TO COMBUSTIBLE WALL MATERIALS FOR  
DOMESTIC HEATING APPLIANCES<sup>a, b, c, d</sup>**

<b>System A</b> (12-inch clearance)	A 3.5-inch-thick brick wall shall be framed into the combustible wall. An 0.625-inch-thick fire-clay liner (ASTM C 315 or equivalent) <sup>e</sup> shall be firmly cemented in the center of the brick wall maintaining a 12-inch clearance to combustibles. The clay liner shall run from the outer surface of the bricks to the inner surface of the chimney liner.
<b>System B</b> (9-inch clearance)	A labeled solid-insulated factory-built chimney section (1-inch insulation) the same inside diameter as the connector shall be utilized. Sheet steel supports cut to maintain a 9-inch clearance to combustibles shall be fastened to the wall surface and to the chimney section. Fasteners shall not penetrate the chimney flue liner. The chimney length shall be flush with the masonry chimney liner and sealed to the masonry with water-insoluble refractory cement. Chimney manufacturers' parts shall be utilized to securely fasten the chimney connector to the chimney section.
<b>System C</b> (6-inch clearance)	A steel ventilated thimble having a minimum thickness of 0.0236 inch (No. 24 gage) having two 1-inch air channels shall be installed with a steel chimney connector. Steel supports shall be cut to maintain a 6-inch clearance between the thimble and combustibles. The chimney connector and steel supports shall have a minimum thickness of 0.0236 inch (No. 24 gage). One side of the support shall be fastened to the wall on all sides. Glass-fiber insulation shall fill the 6-inch space between the thimble and the supports.
<b>System D</b> (2-inch clearance)	A labeled solid-insulated factory-built chimney section (1-inch insulation) with a diameter 2 inches larger than the chimney connector shall be installed with a steel chimney connector having a minimum thickness of 0.0236 inch (24 gage). Sheet steel supports shall be positioned to maintain a 2-inch clearance to combustibles and to hold the chimney connector to ensure that a 1-inch airspace surrounds the chimney connector through the chimney section. The steel support shall be fastened to the wall on all sides and the chimney section shall be fastened to the supports. Fasteners shall not penetrate the liner of the chimney section.

For SI: 1 inch = 25.4 mm, 1.0 Btu × in/ft<sup>2</sup> · h · °F = 0.144 W/m<sup>2</sup> · K.

- a. Insulation material that is part of the wall pass-through system shall be noncombustible and shall have a thermal conductivity of 1.0 Btu × in/ft<sup>2</sup> · h · °F or less.
- b. All clearances and thicknesses are minimums.
- c. Materials utilized to seal penetrations for the connector shall be noncombustible.
- d. Connectors for all systems except System B shall extend through the wall pass-through system to the inner face of the flue liner.
- e. ASTM C 315.

**803.10.5 Pitch.** Connectors shall rise vertically to the *chimney* or vent with a minimum pitch equal to one-fourth unit vertical in 12 units horizontal (2-percent slope).

**803.10.6 Clearances.** Connectors shall have a minimum *clearance* to combustibles in accordance with Table 803.10.6. The clearances specified in Table 803.10.6 apply, except where the listing and labeling of an *appliance* specifies a different *clearance*, in which case the *labeled clearance* shall apply. The *clearance* to combustibles for connectors shall be reduced only in accordance with Section 308.

**TABLE 803.10.6  
CONNECTOR CLEARANCES TO COMBUSTIBLES**

TYPE OF APPLIANCE	MINIMUM CLEARANCE (inches)
<b>Domestic-type appliances</b>	
Chimney and vent connectors	
Electric and oil incinerators	18
Oil and solid-fuel appliances	18
Oil appliances labeled for venting with Type L vents	9
<b>Commercial, industrial-type appliances</b>	
<b>Low-heat appliances</b>	
Chimney connectors	
Oil and solid-fuel boilers, furnaces and water heaters	18
Oil unit heaters	18
Other low-heat industrial appliances	18
<b>Medium-heat appliances</b>	
Chimney connectors	
All oil and solid-fuel appliances	36
<b>High-heat appliances</b>	
Masonry or metal connectors	(As determined by the code official)
All oil and solid-fuel appliances	

For SI: 1 inch = 25.4 mm.

**SECTION 804  
DIRECT-VENT, INTEGRAL VENT AND  
MECHANICAL DRAFT SYSTEMS**

**804.1 Direct-vent terminations.** Vent terminals for *direct-vent appliances* shall be installed in accordance with the manufacturer's installation instructions

**804.2 Appliances with integral vents.** *Appliances* incorporating integral venting means shall be installed in accordance with their listings and the manufacturer's installation instructions.

**804.2.1 Terminal clearances.** *Appliances* designed for natural draft venting and incorporating integral venting means shall be located so that a minimum *clearance* of 9 inches (229 mm) is maintained between vent terminals and from any openings through which *combustion* products enter the building. *Appliances* using forced draft venting shall be located so that a minimum clearance of 12 inches (305 mm) is maintained between vent terminals and from any openings through which *combustion* products enter the building.



**804.3 Mechanical draft systems.** Mechanical draft systems of either forced or induced draft design shall comply with Sections 804.3.1 through 804.3.7.

**804.3.1 Forced draft systems.** Forced draft systems and all portions of induced draft systems under positive pressure during operation shall be designed and installed so as to be gas tight to prevent leakage of *combustion* products into a building.

**804.3.2 Automatic shutoff.** Power exhausters serving automatically fired *appliances* shall be electrically connected to each *appliance* to prevent operation of the *appliance* when the power exhauster is not in operation.

**804.3.3 Termination.** The termination of *chimneys* or vents equipped with power exhausters shall be located a minimum of 10 feet (3048 mm) from the lot line or from adjacent buildings. The exhaust shall be directed away from the building.

**804.3.4 Horizontal terminations.** Horizontal terminations shall comply with the following requirements:

1. Where located adjacent to walkways, the termination of mechanical draft systems shall be not less than ((7)) 10 feet (((2134)) 3048 mm) above the level of the walkway.
2. Vents shall terminate at least 3 feet (914 mm) above any forced air inlet located within 10 feet (3048 mm).
3. The vent system shall terminate at least 4 feet (1219 mm) below, 4 feet (1219 mm) horizontally from or 1 foot (305 mm) above any door, window or gravity air inlet into the building.
4. The vent termination point shall not be located closer than 3 feet (914 mm) to an interior corner formed by two walls perpendicular to each other.
5. The vent termination shall not be mounted directly above or within 3 feet (914 mm) horizontally from an oil tank vent or gas meter.
6. The bottom of the vent termination shall be located at least 12 inches (305 mm) above finished grade.

**804.3.5 Vertical terminations.** Vertical terminations shall comply with the following requirements:

1. Where located adjacent to walkways, the termination of mechanical draft systems shall be not less than ((7)) 10 feet (((2134)) 3048 mm) above the level of the walkway.
2. Vents shall terminate at least 3 feet (914 mm) above any forced air inlet located within 10 feet (3048 mm) ((horizontally)).
3. Where the vent termination is located below an adjacent roof structure, the termination point shall be located at least 3 feet (914 mm) from such structure.
4. The vent shall terminate at least 4 feet (1219 mm) below, 4 feet (1219 mm) horizontally from or 1 foot (305 mm) above any door, window or gravity air inlet for the building.

5. A vent cap shall be installed to prevent rain from entering the vent system.
6. The vent termination shall be located at least 3 feet (914 mm) horizontally from any portion of the roof structure.

**804.3.6 Exhauster connections.** An *appliance* vented by natural draft shall not be connected into a vent, *chimney* or vent connector on the discharge side of a mechanical flue exhauster.

**804.3.7 Exhauster sizing.** Mechanical flue exhausters and the vent system served shall be sized and installed in accordance with the manufacturer's installation instructions.

**804.3.8 Mechanical draft systems for manually fired appliances and fireplaces.** A mechanical draft system shall be permitted to be used with manually fired appliances and fireplaces where such system complies with all of the following requirements:

1. The mechanical draft device shall be *listed* and installed in accordance with the manufacturer's installation instructions.
2. A device shall be installed that produces visible and audible warning upon failure of the mechanical draft device or loss of electrical power, at any time that the mechanical draft device is turned on. This device shall be equipped with a battery backup if it receives power from the building wiring.
3. A smoke detector shall be installed in the room with the *appliance* or fireplace. This device shall be equipped with a battery backup if it receives power from the building wiring.

## SECTION 805 FACTORY-BUILT CHIMNEYS

**805.1 Listing.** Factory-built *chimneys* shall be *listed* and *labeled* and shall be installed and terminated in accordance with the manufacturer's installation instructions.

**805.2 Solid fuel appliances.** Factory-built *chimneys* installed in *dwelling units* with solid fuel-burning appliances shall comply with the Type HT requirements of UL 103 and shall be marked "Type HT" and "Residential Type and Building Heating Appliance Chimney."

**Exception:** *Chimneys* for use with open *combustion* chamber fireplaces shall comply with the requirements of UL 103 and shall be marked "Residential Type and Building Heating Appliance Chimney."

*Chimneys* for use with open *combustion* chamber appliances installed in buildings other than *dwelling units* shall comply with the requirements of UL 103 and shall be marked "Building Heating Appliance Chimney" or "Residential Type and Building Heating Appliance Chimney."

**805.3 Factory-built fireplaces.** *Chimneys* for use with factory-built fireplaces shall comply with the requirements of UL 127.

## CHIMNEYS AND VENTS

**805.4 Support.** Where factory-built *chimneys* are supported by structural members, such as joists and rafters, such members shall be designed to support the additional load.

**805.5 Medium-heat appliances.** Factory-built *chimneys* for medium-heat appliances producing flue gases having a temperature above 1,000°F (538°C), measured at the entrance to the *chimney*, shall comply with UL 959.

**805.6 Decorative shrouds.** Decorative shrouds shall not be installed at the termination of factory-built *chimneys* except where such shrouds are *listed* and *labeled* for use with the specific factory-built *chimney* system and are installed in accordance with Section 304.1.

### SECTION 806 METAL CHIMNEYS

**806.1 General.** Metal *chimneys* shall be constructed and installed in accordance with NFPA 211.

## CHAPTER 9

# SPECIFIC APPLIANCES, FIREPLACES AND SOLID FUEL-BURNING EQUIPMENT

### SECTION 901 GENERAL

**901.1 Scope.** This chapter shall govern the approval, design, installation, construction, maintenance, *alteration* and repair of the appliances and *equipment* specifically identified herein and factory-built fireplaces. The approval, design, installation, construction, maintenance, *alteration* and repair of gas-fired appliances shall be regulated by the *International Fuel Gas Code*.

**901.2 General.** The requirements of this chapter shall apply to the mechanical *equipment* and appliances regulated by this chapter, in addition to the other requirements of this code.

**901.3 Hazardous locations.** Fireplaces and solid fuel-burning appliances shall not be installed in hazardous locations.

**901.4 Fireplace accessories.** *Listed* fireplace accessories shall be installed in accordance with the conditions of the listing and the manufacturer's installation instructions.

### SECTION 902 MASONRY FIREPLACES

**902.1 General.** Masonry fireplaces shall be constructed in accordance with the *International Building Code*.

### SECTION 903 FACTORY-BUILT FIREPLACES

**903.1 General.** Factory-built fireplaces shall be *listed* and *labeled* and shall be installed in accordance with the conditions of the listing. Factory-built fireplaces shall be tested in accordance with UL 127.

**903.2 Hearth extensions.** Hearth extensions of *approved* factory-built fireplaces and fireplace stoves shall be installed in accordance with the listing of the fireplace. The hearth extension shall be readily distinguishable from the surrounding floor area.

**903.3 Unvented gas log heaters.** An unvented gas log heater shall not be installed in a factory-built fireplace unless the fireplace system has been specifically tested, *listed* and *labeled* for such use in accordance with UL 127.

### SECTION 904 PELLET FUEL-BURNING APPLIANCES

**904.1 General.** Pellet fuel-burning appliances shall be *listed* and *labeled* in accordance with ASTM E 1509 and shall be installed in accordance with the terms of the listing.

### SECTION 905 FIREPLACE STOVES AND ROOM HEATERS

**905.1 General.** Fireplace stoves and solid-fuel-type room heaters shall be *listed* and *labeled* and shall be installed in accordance with the conditions of the listing. Fireplace stoves shall be tested in accordance with UL 737. Solid-fuel-type room heaters shall be tested in accordance with UL 1482. Fireplace inserts intended for installation in fireplaces shall be *listed* and *labeled* in accordance with the requirements of UL 1482 and shall be installed in accordance with the manufacturer's installation instructions.

**905.2 Connection to fireplace.** The connection of solid fuel appliances to *chimney* flues serving fireplaces shall comply with Sections 801.7 and 801.10.

### SECTION 906 FACTORY-BUILT BARBECUE APPLIANCES

**906.1 General.** Factory-built barbecue appliances shall be of an *approved* type and shall be installed in accordance with the manufacturer's installation instructions, this chapter and Chapters 3, 5, 7, 8 and the *International Fuel Gas Code*.

### SECTION 907 INCINERATORS AND CREMATORIES

**907.1 General.** Incinerators and crematories shall be *listed* and *labeled* in accordance with UL 791 and shall be installed in accordance with the manufacturer's installation instructions.

### SECTION 908 COOLING TOWERS, EVAPORATIVE CONDENSERS AND FLUID COOLERS

**908.1 General.** A cooling tower used in conjunction with an air-conditioning *appliance* shall be installed in accordance with the manufacturer's installation instructions.

**908.2 Access.** Cooling towers, evaporative condensers and fluid coolers shall be provided with ready access.

**908.3 Location.** Cooling towers, evaporative condensers and fluid coolers shall be located to prevent the discharge vapor plumes from entering occupied spaces. Plume discharges shall be not less than 5 feet (1524 mm) above or 20 feet (6096 mm) away from any ventilation inlet to a building. Location on the property shall be as required for buildings in accordance with the *International Building Code*.

**908.4 Support and anchorage.** Supports for cooling towers, evaporative condensers and fluid coolers shall be designed in accordance with the *International Building Code*. Seismic restraints shall be as required by the *International Building Code*.

**908.5 Water supply.** Water supplies and protection shall be as required by the ((*International*)) *Uniform Plumbing Code*.

**908.6 Drainage.** Drains, overflows and blowdown provisions shall be indirectly connected to an *approved* disposal location. Discharge of chemical waste shall be *approved* by the appropriate regulatory authority.

**908.7 Refrigerants and hazardous fluids.** Heat exchange *equipment* that contains a refrigerant and that is part of a closed refrigeration system shall comply with Chapter 11. Heat exchange *equipment* containing heat transfer fluids which are flammable, combustible or hazardous shall comply with the *International Fire Code*.

### SECTION 909 VENTED WALL FURNACES

**909.1 General.** Vented wall furnaces shall be installed in accordance with their listing and the manufacturer's installation instructions. Oil-fired furnaces shall be tested in accordance with UL 730.

**909.2 Location.** Vented wall furnaces shall be located so as not to cause a fire hazard to walls, floors, combustible furnishings or doors. Vented wall furnaces installed between bathrooms and adjoining rooms shall not circulate air from bathrooms to other parts of the building.

**909.3 Door swing.** Vented wall furnaces shall be located so that a door cannot swing within 12 inches (305 mm) of an air inlet or air outlet of such furnace measured at right angles to the opening. Doorstops or door closers shall not be installed to obtain this *clearance*.

**909.4 Ducts prohibited.** Ducts shall not be attached to wall furnaces. Casing extension boots shall not be installed unless *listed* as part of the *appliance*.

**909.5 Manual shutoff valve.** A manual shutoff valve shall be installed ahead of all controls.

**909.6 Access.** Vented wall furnaces shall be provided with access for cleaning of heating surfaces, removal of burners, replacement of sections, motors, controls, filters and other working parts, and for adjustments and lubrication of parts requiring such attention. Panels, grilles and access doors that must be removed for normal servicing operations shall not be attached to the building construction.

### SECTION 910 FLOOR FURNACES

**910.1 General.** Floor furnaces shall be installed in accordance with their listing and the manufacturer's installation instructions. Oil-fired furnaces shall be tested in accordance with UL 729.

**910.2 Placement.** Floor furnaces shall not be installed in the floor of any aisle or passageway of any auditorium, public hall, place of assembly, or in any egress element from any such room or space.

With the exception of wall register models, a floor furnace shall not be placed closer than 6 inches (152 mm) to the nearest

wall, and wall register models shall not be placed closer than 6 inches (152 mm) to a corner.

The furnace shall be placed such that a drapery or similar combustible object will not be nearer than 12 inches (305 mm) to any portion of the register of the furnace. Floor furnaces shall not be installed in concrete floor construction built on grade. The controlling thermostat for a floor furnace shall be located within the same room or space as the floor furnace or shall be located in an adjacent room or space that is permanently open to the room or space containing the floor furnace.

**910.3 Bracing.** The floor around the furnace shall be braced and headed with a support framework design in accordance with the *International Building Code*.

**910.4 Clearance.** The lowest portion of the floor furnace shall have not less than a 6-inch (152 mm) clearance from the grade level; except where the lower 6-inch (152 mm) portion of the floor furnace is sealed by the manufacturer to prevent entrance of water, the minimum clearance shall be reduced to not less than 2 inches (51 mm). Where these clearances are not present, the ground below and to the sides shall be excavated to form a pit under the furnace so that the required clearance is provided beneath the lowest portion of the furnace. A 12-inch (305 mm) minimum clearance shall be provided on all sides except the control side, which shall have an 18-inch (457 mm) minimum clearance.

### SECTION 911 DUCT FURNACES

**911.1 General.** Duct furnaces shall be installed in accordance with the manufacturer's installation instructions. Electric furnaces shall be tested in accordance with UL 1995.

### SECTION 912 INFRARED RADIANT HEATERS

**912.1 Support.** Infrared radiant heaters shall be fixed in a position independent of fuel and electric supply lines. Hangers and brackets shall be noncombustible material.

**912.2 Clearances.** Heaters shall be installed with clearances from combustible material in accordance with the manufacturer's installation instructions.

### SECTION 913 CLOTHES DRYERS

**913.1 General.** Clothes dryers shall be installed in accordance with the manufacturer's installation instructions. Electric residential clothes dryers shall be tested in accordance with UL 2158. Electric coin-operated clothes dryers shall be tested in accordance with UL 2158. Electric commercial clothes dryers shall be tested in accordance with UL 1240.

**913.2 Exhaust required.** Clothes dryers shall be exhausted in accordance with Section 504.

**913.3 Clearances.** Clothes dryers shall be installed with *clearance* to combustibles in accordance with the manufacturer's instructions.



## SECTION 914 SAUNA HEATERS

**914.1 Location and protection.** Sauna heaters shall be located so as to minimize the possibility of accidental contact by a person in the room.

**914.1.1 Guards.** Sauna heaters shall be protected from accidental contact by an *approved* guard or barrier of material having a low coefficient of thermal conductivity. The guard shall not substantially affect the transfer of heat from the heater to the room.

**914.2 Installation.** Sauna heaters shall be *listed* and *labeled* in accordance with UL 875 and shall be installed in accordance with their listing and the manufacturer's installation instructions.

**914.3 Access.** Panels, grilles and access doors that are required to be removed for normal servicing operations shall not be attached to the building.

**914.4 Heat and time controls.** Sauna heaters shall be equipped with a thermostat that will limit room temperature to 194°F (90°C). If the thermostat is not an integral part of the sauna heater, the heat-sensing element shall be located within 6 inches (152 mm) of the ceiling. If the heat-sensing element is a capillary tube and bulb, the assembly shall be attached to the wall or other support, and shall be protected against physical damage.

**914.4.1 Timers.** A timer, if provided to control main burner operation, shall have a maximum operating time of 1 hour. The control for the timer shall be located outside the sauna room.

**914.5 Sauna room.** A ventilation opening into the sauna room shall be provided. The opening shall be not less than 4 inches by 8 inches (102 mm by 203 mm) located near the top of the door into the sauna room.

**914.5.1 Warning notice.** The following permanent notice, constructed of *approved* material, shall be mechanically attached to the sauna room on the outside:

WARNING: DO NOT EXCEED 30 MINUTES IN SAUNA. EXCESSIVE EXPOSURE CAN BE HARMFUL TO HEALTH. ANY PERSON WITH POOR HEALTH SHOULD CONSULT A PHYSICIAN BEFORE USING SAUNA.

The words shall contrast with the background and the wording shall be in letters not less than 1/4-inch (6.4 mm) high.

**Exception:** This section shall not apply to one- and two-family dwellings.

## SECTION 915 ENGINE AND GAS TURBINE-POWERED EQUIPMENT AND APPLIANCES

**915.1 General.** The installation of liquid-fueled stationary internal *combustion* engines and gas turbines, including exhaust, fuel storage and piping, shall meet the requirements of

NFPA 37. Stationary engine generator assemblies shall meet the requirements of UL 2200.

**915.2 Powered equipment and appliances.** Permanently installed *equipment* and appliances powered by internal *combustion* engines and turbines shall be installed in accordance with the manufacturer's installation instructions and NFPA 37.

## SECTION 916 POOL AND SPA HEATERS

**916.1 General.** Pool and spa heaters shall be installed in accordance with the manufacturer's installation instructions. Oil-fired pool and spa heaters shall be tested in accordance with UL 726. Electric pool and spa heaters shall be tested in accordance with UL 1261.

## SECTION 917 COOKING APPLIANCES

**917.1 Cooking appliances.** Cooking appliances that are designed for permanent installation, including ranges, ovens, stoves, broilers, grills, fryers, griddles and barbecues, shall be *listed*, *labeled* and installed in accordance with the manufacturer's installation instructions. Commercial electric cooking appliances shall be *listed* and *labeled* in accordance with UL 197. Household electric ranges shall be *listed* and *labeled* in accordance with UL 858. Microwave cooking appliances shall be *listed* and *labeled* in accordance with UL 923. Oil-burning stoves shall be *listed* and *labeled* in accordance with UL 896. Solid-fuel-fired ovens shall be *listed* and *labeled* in accordance with UL 2162.

**917.2 Prohibited location.** Cooking appliances designed, tested, *listed* and *labeled* for use in commercial occupancies shall not be installed within *dwelling units* or within any area where domestic cooking operations occur.

**917.3 Domestic appliances.** Cooking appliances installed within *dwelling units* and within areas where domestic cooking operations occur shall be *listed* and *labeled* as household-type appliances for domestic use

## SECTION 918 FORCED-AIR WARM-AIR FURNACES

**918.1 Forced-air furnaces.** Oil-fired furnaces shall be tested in accordance with UL 727. Electric furnaces shall be tested in accordance with UL 1995. Solid fuel furnaces shall be tested in accordance with UL 391. Forced-air furnaces shall be installed in accordance with the listings and the manufacturer's installation instructions.

**918.2 Minimum duct sizes.** The minimum unobstructed total area of the outdoor and return air ducts or openings to a forced-air warm-air furnace shall be not less than 2 square inches per 1,000 Btu/h (4402 mm<sup>2</sup>/kW) output rating capacity of the furnace and not less than that specified in the furnace manufacturer's installation instructions. The minimum unobstructed total area of supply ducts from a forced-air warm-air furnace shall not be less than 2 square inches for each 1,000

Btu/h (4402 mm<sup>2</sup>/kW) output rating capacity of the furnace and not less than that specified in the furnace manufacturer's installation instructions.

**Exception:** The total area of the supply air ducts and outdoor and return air ducts shall not be required to be larger than the minimum size required by the furnace manufacturer's installation instructions.

**918.3 Heat pumps.** The minimum unobstructed total area of the outdoor and return air ducts or openings to a heat pump shall be not less than 6 square inches per 1,000 Btu/h (13 208 mm<sup>2</sup>/kW) output rating or as indicated by the conditions of listing of the heat pump. Electric heat pumps shall be tested in accordance with UL 1995.

**918.4 Dampers.** Volume dampers shall not be placed in the air inlet to a furnace in a manner that will reduce the required air to the furnace.

**918.5 Circulating air ducts for forced-air warm-air furnaces.** Circulating air for fuel-burning, forced-air-type, warm-air furnaces shall be conducted into the blower housing from outside the furnace enclosure by continuous air-tight ducts.

**918.6 Prohibited sources.** Outdoor or return air for a forced-air heating system shall not be taken from the following locations:

1. Less than 10 feet (3048 mm) from an *appliance* vent outlet, a vent opening from a plumbing drainage system or the discharge outlet of an exhaust fan, unless the outlet is 3 feet (914 mm) above the outdoor air inlet.
2. Where there is the presence of objectionable odors, fumes or flammable vapors; or where located less than 10 feet (3048 mm) above the surface of any abutting public way or driveway; or where located at grade level by a sidewalk, street, alley or driveway.
3. A hazardous or insanitary location or a refrigeration *machinery room* as defined in this code.
4. A room or space, the volume of which is less than 25 percent of the entire volume served by such system. Where connected by a permanent opening having an area sized in accordance with Sections 918.2 and 918.3, adjoining rooms or spaces shall be considered as a single room or space for the purpose of determining the volume of such rooms or spaces.

**Exception:** The minimum volume requirement shall not apply where the amount of return air taken from a room or space is less than or equal to the amount of supply air delivered to such room or space.

5. A closet, bathroom, toilet room, kitchen, garage, mechanical room, boiler room, furnace room or unconditioned attic.

**Exception:** Where return air intakes are located not less than 10 feet (3048 mm) from cooking appliances, and serve the kitchen area only, taking return air from a kitchen shall not be prohibited.

6. ~~((An unconditioned))~~ A crawl space, ~~((by means of direct connection to the return side of a forced-air system.~~

~~Transfer openings in the crawl space enclosure shall not be prohibited.))~~

7. A room or space containing a fuel-burning *appliance* where such room or space serves as the sole source of return air.

**Exceptions:**

- 7.1. This shall not apply where the fuel-burning *appliance* is a direct-vent *appliance*.
- 7.2. This shall not apply where the room or space complies with the following requirements:
  - 7.2.1. The return air shall be taken from a room or space having a volume exceeding 1 cubic foot for each 10 Btu/h (9.6 L/W) of combined input rating of all fuel-burning appliances therein.
  - 7.2.2. The volume of supply air discharged back into the same space shall be approximately equal to the volume of return air taken from the space.
  - 7.2.3. Return-air inlets shall not be located within 10 feet (3048 mm) of any *appliance* firebox or draft hood in the same room or space.
- 7.3. This shall not apply to rooms or spaces containing solid-fuel-burning appliances, provided that return-air inlets are located not less than 10 feet (3048 mm) from the firebox of the appliances.

**918.7 Outside opening protection.** Outdoor air intake openings shall be protected in accordance with Section 401.5.

**918.8 Return-air limitation.** Return air from one *dwelling unit* shall not be discharged into another *dwelling unit*.

**SECTION 919  
CONVERSION BURNERS**

**919.1 Conversion burners.** The installation of conversion burners shall conform to ANSI Z21.8.

**SECTION 920  
UNIT HEATERS**

**920.1 General.** Unit heaters shall be installed in accordance with the listing and the manufacturer's installation instructions. Oil-fired unit heaters shall be tested in accordance with UL 731.

**920.2 Support.** Suspended-type unit heaters shall be supported by elements that are designed and constructed to accommodate the weight and dynamic loads. Hangers and brackets shall be of noncombustible material. Suspended-type oil-fired unit heaters shall be installed in accordance with NFPA 31.

**920.3 Ductwork.** A unit heater shall not be attached to a warm-air duct system unless *listed* for such installation.

### SECTION 921 VENTED ROOM HEATERS

**921.1 General.** Vented room heaters shall be *listed* and *labeled* and shall be installed in accordance with the conditions of the listing and the manufacturer's instructions.

**927.2 Nonducted heat recovery ventilators.** Nonducted heat recovery ventilators shall be *listed* and *labeled* in accordance with UL 1815.

### SECTION 922 KEROSENE AND OIL-FIRED STOVES

**922.1 General.** Kerosene and oil-fired stoves shall be *listed* and *labeled* and shall be installed in accordance with the conditions of the listing and the manufacturer's installation instructions. Kerosene and oil-fired stoves shall comply with NFPA 31. Oil-fired stoves shall be tested in accordance with UL 896.

### SECTION 923 SMALL CERAMIC KILNS

**923.1 General.** The provisions of this section shall apply to kilns that are used for ceramics, have a maximum interior volume of 20 cubic feet (0.566 m<sup>3</sup>) and are used for hobby and noncommercial purposes.

**923.1.1 Installation.** Kilns shall be installed in accordance with the manufacturer's installation instructions and the provisions of this code.

### SECTION 924 STATIONARY FUEL CELL POWER SYSTEMS

**924.1 General.** Stationary fuel cell power systems having a power output not exceeding 10 MW shall be tested in accordance with ANSI/CSA America FC 1 and shall be installed in accordance with the manufacturer's installation instructions, NFPA 853, the *International Building Code* and the *International Fire Code*.

### SECTION 925 MASONRY HEATERS

**925.1 General.** Masonry heaters shall be constructed in accordance with the *International Building Code*.

### SECTION 926 GASEOUS HYDROGEN SYSTEMS

**926.1 Installation.** The installation of gaseous hydrogen systems shall be in accordance with the applicable requirements of this code, the *International Fire Code*, the *International Fuel Gas Code* and the *International Building Code*.

### SECTION 927 HEAT RECOVERY VENTILATORS

**927.1 Ducted heat recovery ventilators.** Ducted heat recovery ventilators shall be *listed* and *labeled* in accordance with UL 1812.





**CHAPTER 10**  
**BOILERS, WATER HEATERS AND PRESSURE VESSELS**

Chapter 10 is not adopted by the City of Seattle. See the *Seattle Boiler and Pressure Vessel Code*.

(This page is intentionally left blank)

(This page is intentionally left blank)

(This page is intentionally left blank)



# CHAPTER 11

## REFRIGERATION

### SECTION 1101 GENERAL

**1101.1 Scope.** This chapter shall govern the design, installation, construction and repair of refrigeration systems that vaporize and liquefy a fluid during the refrigerating cycle. Refrigerant piping design and installation, including pressure vessels and pressure relief devices, shall conform to this code. Permanently installed refrigerant storage systems and other components shall be considered as part of the refrigeration system to which they are attached.

**1101.2 Factory-built equipment and appliances.** *Listed and labeled* self-contained, factory-built *equipment* and appliances shall be tested in accordance with UL 207, 412, 471 or 1995. Such *equipment* and appliances are deemed to meet the design, manufacture and factory test requirements of this code if installed in accordance with their listing and the manufacturer's installation instructions.

**1101.3 Protection.** Any portion of a refrigeration system that is subject to physical damage shall be protected in an *approved* manner.

**1101.4 Water connection.** Water supply and discharge connections associated with refrigeration systems shall be made in accordance with this code and the ((*International*)) *Uniform Plumbing Code*.

**1101.5 Fuel gas connection.** Fuel gas devices, *equipment* and appliances used with refrigeration systems shall be installed in accordance with the *International Fuel Gas Code*.

**1101.6 General.** Refrigeration systems shall comply with the requirements of this code and, except as modified by this code, ASHRAE 15. Ammonia-refrigerating systems shall comply with this code and, except as modified by this code, ASHRAE 15 and IIAR 2.

**1101.7 Maintenance.** Mechanical refrigeration systems shall be maintained in proper operating condition, free from accumulations of oil, dirt, waste, excessive corrosion, other debris and leaks.

**1101.8 Change in refrigerant type.** The type of refrigerant in refrigeration systems having a refrigerant circuit containing more than 220 pounds (99.8 kg) of Group A1 or 30 pounds (13.6 kg) of any other group refrigerant shall not be changed without prior notification to the code official and compliance with the applicable code provisions for the new refrigerant type.

[F] **1101.9 Refrigerant discharge.** Notification of refrigerant discharge shall be provided in accordance with the *International Fire Code*.

**1101.10 Locking access port caps.** Refrigerant circuit access ports located outdoors shall be fitted with locking-type tamper-resistant caps.

### SECTION 1102 SYSTEM REQUIREMENTS

**1102.1 General.** The system classification, allowable refrigerants, maximum quantity, enclosure requirements, location limitations, and field pressure test requirements shall be determined as follows:

1. Determine the refrigeration system's classification, in accordance with Section 1103.3.
2. Determine the refrigerant classification in accordance with Section 1103.1.
3. Determine the maximum allowable quantity of refrigerant in accordance with Section 1104, based on type of refrigerant, system classification and *occupancy*.
4. Determine the system enclosure requirements in accordance with Section 1104.
5. Refrigeration *equipment* and *appliance* location and installation shall be subject to the limitations of Chapter 3.
6. Nonfactory-tested, field-erected *equipment* and appliances shall be pressure tested in accordance with Section 1108.

**1102.2 Refrigerants.** The refrigerant shall be that which the *equipment* or *appliance* was designed to utilize or converted to utilize. Refrigerants not identified in Table 1103.1 shall be *approved* before use.

**1102.2.1 Mixing.** Refrigerants, including refrigerant blends, with different designations in ASHRAE 34 shall not be mixed in a system.

**Exception:** Addition of a second refrigerant is allowed where permitted by the *equipment* or *appliance* manufacturer to improve oil return at low temperatures. The refrigerant and amount added shall be in accordance with the manufacturer's instructions.

**1102.2.2 Purity.** Refrigerants used in refrigeration systems shall be new, recovered or *reclaimed refrigerants* in accordance with Section 1102.2.2.1, 1102.2.2.2 or 1102.2.2.3. Where required by the *equipment* or *appliance* owner or the code official, the installer shall furnish a signed declaration that the refrigerant used meets the requirements of Section 1102.2.2.1, 1102.2.2.2 or 1102.2.2.3.

**Exception:** The refrigerant used shall meet the purity specifications set by the manufacturer of the *equipment* or *appliance* in which such refrigerant is used where such specifications are different from that specified in Sections 1102.2.2.1, 1102.2.2.2 and 1102.2.2.3.

**1102.2.2.1 New refrigerants.** Refrigerants shall be of a purity level specified by the *equipment* or *appliance* manufacturer.

**1102.2.2.2 Recovered refrigerants.** Refrigerants that are recovered from refrigeration and air-conditioning

systems shall not be reused in other than the system from which they were recovered and in other systems of the same owner. *Recovered refrigerants* shall be filtered and dried before reuse. *Recovered refrigerants* that show clear signs of contamination shall not be reused unless reclaimed in accordance with Section 1102.2.2.3.

**1102.2.2.3 Reclaimed refrigerants.** Used refrigerants shall not be reused in a different owner's *equipment* or appliances unless tested and found to meet the purity requirements of ARI 700. Contaminated refrigerants shall not be used unless reclaimed and found to meet the purity requirements of ARI 700.

### SECTION 1103 REFRIGERATION SYSTEM CLASSIFICATION

**1103.1 Refrigerant classification.** Refrigerants shall be classified in accordance with ASHRAE 34 as listed in Table 1103.1.

**1103.2 Occupancy classification.** Locations of refrigerating systems are described by *occupancy* classifications that consider the ability of people to respond to potential exposure to refrigerants. Where *equipment* or appliances, other than piping, are located outside a building and within 20 feet (6096 mm) of any building opening, such *equipment* or appliances shall be governed by the *occupancy* classification of the building. *Occupancy* classifications shall be defined as follows:

1. Institutional *occupancy* is that portion of premises from which, because they are disabled, debilitated or confined, occupants cannot readily leave without the assistance of others. Institutional occupancies include, among others, hospitals, nursing homes, asylums and spaces containing locked cells.
2. Public assembly *occupancy* is that portion of premises where large numbers of people congregate and from which occupants cannot quickly vacate the space. Public assembly occupancies include, among others, auditoriums, ballrooms, classrooms, passenger depots, restaurants and theaters.
3. Residential *occupancy* is that portion of premises that provides the occupants with complete independent living facilities, including permanent provisions for living, sleeping, eating, cooking and sanitation. Residential occupancies include, among others, dormitories, hotels, multiunit apartments and private residences.
4. Commercial *occupancy* is that portion of premises where people transact business, receive personal service or purchase food and other goods. Commercial occupancies include, among others, office and professional buildings, markets (but not large mercantile occupancies) and work or storage areas that do not qualify as industrial occupancies.
5. Large mercantile *occupancy* is that portion of premises where more than 100 persons congregate on levels above or below street level to purchase personal merchandise.
6. Industrial *occupancy* is that portion of premises that is not open to the public, where access by authorized persons is controlled, and that is used to manufacture, process or store goods such as chemicals, food, ice, meat or petroleum.

7. Mixed *occupancy* occurs when two or more occupancies are located within the same building. When each *occupancy* is isolated from the rest of the building by tight walls, floors and ceilings and by self-closing doors, the requirements for each *occupancy* shall apply to its portion of the building. When the various occupancies are not so isolated, the *occupancy* having the most stringent requirements shall be the governing *occupancy*.

**1103.3 System classification.** Refrigeration systems shall be classified according to the degree of probability that refrigerant leaked from a failed connection, seal or component could enter an occupied area. The distinction is based on the basic design or location of the components.

**1103.3.1 Low-probability systems.** Double-indirect open-spray systems, indirect closed systems and indirect-vented closed systems shall be classified as low-probability systems, provided that all refrigerant-containing piping and fittings are isolated when the quantities in Table 1103.1 are exceeded.

**1103.3.2 High-probability systems.** Direct systems and indirect open-spray systems shall be classified as high-probability systems.

**Exception:** An indirect open-spray system shall not be required to be classified as a high-probability system if the pressure of the secondary coolant is at all times (operating and standby) greater than the pressure of the refrigerant.

### SECTION 1104 SYSTEM APPLICATION REQUIREMENTS

**1104.1 General.** The refrigerant, *occupancy* and system classification cited in this section shall be determined in accordance with Sections 1103.1, 1103.2 and 1103.3, respectively. For refrigerant blends assigned dual classifications, as formulated and for the worst case of fractionation, the classifications for the worst case of fractionation shall be used.

**1104.2 Machinery room.** Except as provided in Sections 1104.2.1 and 1104.2.2, all components containing the refrigerant shall be located either outdoors or in a *machinery room* where the quantity of refrigerant in an independent circuit of a system exceeds the amounts shown in Table 1103.1. For refrigerant blends not listed in Table 1103.1, the same requirement shall apply when the amount for any blend component exceeds that indicated in Table 1103.1 for that component. This requirement shall also apply when the combined amount of the blend components exceeds a limit of 69,100 parts per million (ppm) by volume. Machinery rooms required by this section shall be constructed and maintained in accordance with Section 1105 for Group A1 and B1 refrigerants and in accordance with Sections 1105 and 1106 for Group A2, B2, A3 and B3 refrigerants.

#### Exceptions:

1. Machinery rooms are not required for *listed equipment* and appliances containing not more than 6.6 pounds (3 kg) of refrigerant, regardless of the refrigerant's safety classification, where installed in accordance with the equipment's or appliance's listing and the *equipment* or *appliance* manufacturer's installation instructions.
2. Piping in conformance with Section 1107 is allowed in other locations to connect components installed in a *machinery room* with those installed outdoors.

[F] TABLE 1103.1  
REFRIGERANT CLASSIFICATION, AMOUNT AND OEL

CHEMICAL REFRIGERANT	FORMULA	CHEMICAL NAME OF BLEND	REFRIGERANT CLASSIFICATION	DEGREES OF HAZARD <sup>a</sup>	[M] AMOUNT OF REFRIGERANT PER OCCUPIED SPACE			OEL <sup>e</sup>
					Pounds per 1,000 cubic feet	ppm	g/m <sup>3</sup>	
R-11 <sup>d</sup>	CCl <sub>3</sub> F	trichlorofluoromethane	A1	2-0-0 <sup>b</sup>	0.39	1,100	6.2	C1,000
R-12 <sup>d</sup>	CCl <sub>2</sub> F <sub>2</sub>	dichlorodifluoromethane	A1	2-0-0 <sup>b</sup>	5.6	18,000	90	1,000
R-13 <sup>d</sup>	CClF <sub>3</sub>	chlorotrifluoromethane	A1	2-0-0 <sup>b</sup>	—	—	—	1,000
R-13B1 <sup>d</sup>	CBrF <sub>3</sub>	bromotrifluoromethane	A1	2-0-0 <sup>b</sup>	—	—	—	1,000
R-14	CF <sub>4</sub>	tetrafluoromethane (carbon tetrafluoride)	A1	2-0-0 <sup>b</sup>	25	110,000	400	1,000
R-22	CHClF <sub>2</sub>	chlorodifluoromethane	A1	2-0-0 <sup>b</sup>	13	59,000	210	1,000
R-23	CHF <sub>3</sub>	trifluoromethane (fluoroform)	A1	2-0-0 <sup>b</sup>	7.3	41,000	120	1,000
R-32	CH <sub>2</sub> F <sub>2</sub>	difluoromethane (methylene fluoride)	A2	—	4.8	36,000	77	1,000
R-1113 <sup>d</sup>	CCl <sub>2</sub> FCClF <sub>2</sub>	1,1,2-trichloro-1,2,2-trifluoroethane	A1	2-0-0 <sup>b</sup>	1.2	2,600	20	1,000
R-114 <sup>d</sup>	CClF <sub>2</sub> CClF <sub>2</sub>	1,2-dichloro-1,2,2-tetrafluoroethane	A1	2-0-0 <sup>b</sup>	8.7	20,000	140	1,000
R-115	CClF <sub>2</sub> CF <sub>3</sub>	chloropentafluoroethane	A1	—	47	120,000	760	1,000
R-116	CF <sub>3</sub> CF <sub>3</sub>	hexafluoroethane	A1	1-0-0	34	97,000	550	1,000
R-123	CHCl <sub>2</sub> CF <sub>3</sub>	2,2-dichloro-1,1,1-trifluoroethane	B1	2-0-0 <sup>b</sup>	3.5	9,100	57	50
R-124	CHClFCF <sub>3</sub>	2-chloro-1,1,1,2-tetrafluoroethane	A1	2-0-0 <sup>b</sup>	3.5	10,000	56	1,000
R-125	CHF <sub>2</sub> CF <sub>3</sub>	pentafluoroethane	A1	2-0-0 <sup>b</sup>	23	75,000	370	1,000
R-134a	CH <sub>2</sub> FCF <sub>3</sub>	1,1,1,2-tetrafluoroethane	A1	2-0-0 <sup>b</sup>	13	50,000	210	1,000
R-141b	CH <sub>2</sub> CCl <sub>2</sub> F	1,1-dichloro-1-fluoroethane	—	—	0.78	2,600	12	500
R-142b	CH <sub>3</sub> CClF <sub>2</sub>	1-chloro-1,1-difluoroethane	A2	—	5.1	20,000	83	1,000
R-143a	CH <sub>3</sub> CF <sub>3</sub>	1,1,1-trifluoroethane	A2	2-0-0 <sup>b</sup>	4.5	21,000	70	1,000
R-152a	CH <sub>3</sub> CHF <sub>2</sub>	1,1-difluoroethane	A2	1-4-0	2	12,000	32	1,000
R-170	CH <sub>3</sub> CH <sub>3</sub>	ethane	A3	2-4-0	0.54	7,000	8.7	1,000
R-E170	CH <sub>3</sub> OCH <sub>3</sub>	dimethyl ether	A3	—	1	8,500	16	1,000
R-218	CF <sub>3</sub> CF <sub>2</sub> CF <sub>3</sub>	octafluoropropane	A1	2-0-0 <sup>b</sup>	43	90,000	690	1,000
R-227ea	CF <sub>3</sub> CHF <sub>2</sub> CF <sub>3</sub>	1,1,1,2,3,3,3,3-heptafluoropropane	A1	—	36	84,000	580	1,000
R-236fa	CF <sub>3</sub> CH <sub>2</sub> CF <sub>3</sub>	1,1,1,3,3,3,3-hexafluoropropane	A1	2-0-0 <sup>b</sup>	21	55,000	340	1,000
R-245fa	CHF <sub>2</sub> CH <sub>2</sub> CF <sub>3</sub>	1,1,1,3,3,3-pentafluoropropane	B1	2-0-0 <sup>b</sup>	12	34,000	190	300
R-290	CH <sub>3</sub> CH <sub>2</sub> CH <sub>3</sub>	propane	A3	2-4-0	0.56	5,300	9.5	1,000
R-C318	-(CF <sub>2</sub> ) <sub>4</sub> -	octafluorocyclobutane	A1	—	41	80,000	660	1,000

(continued)

[F] TABLE 1103.1  
REFRIGERANT CLASSIFICATION, AMOUNT AND OEL

CHEMICAL REFRIGERANT	FORMULA	CHEMICAL NAME OF BLEND	REFRIGERANT CLASSIFICATION	DEGREES OF HAZARD <sup>b</sup>	[M] AMOUNT OF REFRIGERANT PER OCCUPIED SPACE			
					Pounds per 1,000 cubic feet	ppm	g/m <sup>3</sup>	OEL <sup>c</sup>
R-400 <sup>d</sup>	zeotrope	R-12/114 (50/50)	A1	2-0-0 <sup>b</sup>	10	28,000	160	1,000
R-400 <sup>d</sup>	zeotrope	R-12/114 (60/40)	A1		11	30,000	170	1,000
R-401A	zeotrope	R-22/152a/124 (53/13/34)	A1	2-0-0 <sup>b</sup>	6.6	27,000	110	1,000
R-401B	zeotrope	R-22/152a/124 (61/11/28)	A1	2-0-0 <sup>b</sup>	7.2	30,000	120	1,000
R-401C	zeotrope	R-22/152a/124 (33/15/52)	A1	2-0-0 <sup>b</sup>	5.2	20,000	84	1,000
R-402A	zeotrope	R-125/290/22 (60/2/38)	A1	2-0-0 <sup>b</sup>	8.5	33,000	140	1,000
R-402B	zeotrope	R-125/290/22 (38/2/60)	A1	2-0-0 <sup>b</sup>	15	63,000	240	1,000
R-403A	zeotrope	R-290/22/218 (5/75/20)	A1	2-0-0 <sup>b</sup>	7.6	33,000	120	1,000
R-403B	zeotrope	R-290/22/218 (5/56/39)	A1	2-0-0 <sup>b</sup>	18	70,000	290	1,000
R-404A	zeotrope	R-125/143a/134a (44/52/4)	A1	2-0-0 <sup>b</sup>	31	130,000	500	1,000
R-405A	zeotrope	R-22/152a/142b/C318 (45.0/7.0/5.5/2.5)	—	—	16	57,000	260	1,000
R-406A	zeotrope	R-22/600a/142b (55/4/41)	A2	—	4.7	21,000	25	1,000
R-407A	zeotrope	R-32/125/134a (20/40/40)	A1	2-0-0 <sup>b</sup>	18	78,000	290	1,000
R-407B	zeotrope	R-32/125/134a (10/70/20)	A1	2-0-0 <sup>b</sup>	20	77,000	320	1,000
R-407C	zeotrope	R-32/125/134a (23/25/52)	A1	2-0-0 <sup>b</sup>	17	76,000	270	1,000
R-407D	zeotrope	R-32/125/134a (15/15/70)	A1	2-0-0 <sup>b</sup>	15	65,000	240	1,000
R-407E	zeotrope	R-32/125/134a (25/15/60)	A1	2-0-0 <sup>b</sup>	16	75,000	260	1,000
R-408A	zeotrope	R-125/143a/22 (7/46/47)	A1	2-0-0 <sup>b</sup>	21	95,000	340	1,000
R-409A	zeotrope	R-22/124/142b (60/25/15)	A1	2-0-0 <sup>b</sup>	7.1	29,000	110	1,000
R-409B	zeotrope	R-22/124/142b (65/25/10)	A1	2-0-0 <sup>b</sup>	7.3	30,000	120	1,000
R-410A	zeotrope	R-32/125 (50/50)	A1	2-0-0 <sup>b</sup>	25	130,000	390	1,000
R-410B	zeotrope	R-32/125 (45/55)	A1	2-0-0 <sup>b</sup>	24	130,000	390	1,000
R-411A	zeotrope	R-127/22/152a (1.5/87.5/11.0)	A2	—	2.9	14,000	46	990
R-411B	zeotrope	R-127/22/152a (3/94/3)	A2	—	2.8	13,000	45	980
R-412A	zeotrope	R-22/318/142b (70/5/25)	A2	—	5.1	22,000	82	1,000
R-413A	zeotrope	R-218/134a/600a (9/88/3)	A2	—	5.8	22,000	94	1,000
R-414A	zeotrope	R-22/124/600a/142b (51/28.5/4/16.5)	A1	—	6.4	26,000	100	1,000
R-414B	zeotrope	R-22/124/600a/142b (50/39/1.5/9.5)	A1	—	6	23,000	95	1,000

(continued)



[F] TABLE 1103.1—continued  
REFRIGERANT CLASSIFICATION, AMOUNT AND OEL

CHEMICAL REFRIGERANT	FORMULA	CHEMICAL NAME OF BLEND	REFRIGERANT CLASSIFICATION	DEGREES OF HAZARD <sup>a</sup>	[M] AMOUNT OF REFRIGERANT PER OCCUPIED SPACE			OEL <sup>e</sup>
					Pounds per 1,000 cubic feet	ppm	g/m <sup>3</sup>	
R-415A	zeotrope	R-22/152a (82.0/18.0)	A2	—	12	57,000	190	1,000
R-415B	zeotrope	R-22/152a (25.0/75.0)	A2	—	9.3	52,000	120	1,000
R-416A	zeotrope	R-134a/124/600 (59/39.5/1.5)	A1	2-0-0 <sup>b</sup>	3.9	14,000	62	1,000
R-417A	zeotrope	R-125/134a/600	A1	2-0-0 <sup>b</sup>	3.5	13,000	56	1,000
R-418A	zeotrope	R-290/22/152a (1.5/96.0/2.5)	A2	—	13	59,000	200	1,000
R-419A	zeotrope	R-125/134a/E170 (77.0/19.0/4.0)	A2	—	19	70,000	310	1,000
R-420A	zeotrope	R-134a/142b (88.0/12.0)	A1	2-0-0 <sup>b</sup>	12	45,000	190	1,000
R-421A	zeotrope	R-125/134a (58.0/42.0)	A1	2-0-0 <sup>b</sup>	17	61,000	280	1,000
R-421B	zeotrope	R-125/134a (85.0/15.0)	A1	2-0-0 <sup>b</sup>	21	69,000	330	1,000
R-422A	zeotrope	R-125/134a/600a (85.1/11.5/3.4)	A1	2-0-0 <sup>b</sup>	18	63,000	290	1,000
R-422B	zeotrope	R-125/134a/600a (55.0/42.0/3.0)	A1	2-0-0 <sup>b</sup>	16	26,000	250	1,000
R-422C	zeotrope	R-125/134a/600a (82.0/15.0/3.0)	A1	2-0-0 <sup>b</sup>	18	62,000	290	1,000
R-422D	zeotrope	R-125/134a/600a (65.1/31.5/3.4)	A1	2-0-0 <sup>b</sup>	16	58,000	260	1,000
R-423A	zeotrope	R-134a/227ea (52.5/47.5)	A1	2-0-0 <sup>c</sup>	19	59,000	310	1,000
R-424A	zeotrope	R-125/134a/600a/600/601a (50.5/47.0/1.0/0.6)	A1	2-0-0 <sup>b</sup>	6.2	23,000	100	970
R-425A	zeotrope	R-32/134a/227ea (18.5/69.5/12.0)	A1	2-0-0 <sup>b</sup>	16	67,000	250	1,000
R-426A	zeotrope	R-125/134a/600a/601a (5.1/93.0/1.3/0.6)	A1	—	5.2	20,000	83	990
R-427A	zeotrope	R-32/125/143a/134a (15.0/25.0/10.0/50.0)	A1	—	18	76,000	280	1,000
R-428A	zeotrope	R-125/143a/290/600a (77.5/20.0/0.6/1.9)	A1	—	23	83,000	370	1,000
R-429A	zeotrope	R-E170/152a/600a (60.0/10.0/30.0)	A3	—	0.81	6,300	13	1,000
R-430A	zeotrope	R-152a/600a (76.0/24.0)	A3	—	1.3	8,000	21	1,000
R-431A	zeotrope	R-290/152a (71.0/29.0)	A3	—	0.69	5,500	11	1,000
R-432A	zeotrope	R-1270/E170 (80.0/20.0)	A3	—	0.13	1,200	2.1	710
R-433A	zeotrope	R-1270/290 (30.0/70.0)	A3	—	0.34	3,100	5.5	880
R-434A	zeotrope	R-125/143a/600a (63.2/18.0/16.0/2.8)	A1	—	20	73,000	320	1,000
R-435A	zeotrope	R-E170/152a (80.0/20.0)	A3	—	1.1	8,500	17	1,000
R-436A	zeotrope	R-290/600a (56.0/44.0)	A3	—	0.5	4,000	8	1,000
R-436B	zeotrope	R-290/600a (52.0/48.0)	A3	—	0.5	4,000	8	1,000
R-437A	zeotrope	R-125/134a/600/601 (19.5/78.5/1.4/0.6)	A1	—	5	19,000	81	990

(continued)

[F] TABLE 1103.1—continued  
REFRIGERANT CLASSIFICATION, AMOUNT AND OEL

CHEMICAL REFRIGERANT	FORMULA	CHEMICAL NAME OF BLEND	REFRIGERANT CLASSIFICATION	DEGREES OF HAZARD <sup>a</sup>	[M] AMOUNT OF REFRIGERANT PER OCCUPIED SPACE			
					Pounds per 1,000 cubic feet	ppm	g/m <sup>3</sup>	OEL <sup>e</sup>
R-500 <sup>e</sup>	azeotrope	R-12/152a (73.8/26.2)	A1	2-0-0 <sup>b</sup>	7.6	30,000	120	1,000
R-501 <sup>d</sup>	azeotrope	R-22/12 (75.0/25.0)	A1	—	13	54,000	210	1,000
R-502 <sup>e</sup>	azeotrope	R-22/115 (48.8/51.2)	A1	2-0-0 <sup>b</sup>	21	73,000	330	1,000
R-503 <sup>e</sup>	azeotrope	R-23/13 (40.1/59.9)	—	2-0-0 <sup>b</sup>	—	—	—	1,000
R-504 <sup>d</sup>	azeotrope	R-32/115 (48.2/51.8)	—	—	29	140,000	460	1,000
R-507A	azeotrope	R-125/143a (50/50)	A1	2-0-0 <sup>b</sup>	32	130,000	520	1,000
R-508A	azeotrope	R-23/116 (39/61)	A1	2-0-0 <sup>b</sup>	14	55,000	220	1,000
R-508B	azeotrope	R-23/116 (46/54)	A1	2-0-0 <sup>b</sup>	13	52,000	200	1,000
R-509A	azeotrope	R-22/218 (44/56)	A1	2-0-0 <sup>b</sup>	24	75,000	390	1,000
R-510A	azeotrope	R-E170/600a (88.0/12.0)	A3	—	0.87	7,300	14	1,000
R-600	CH <sub>3</sub> CH <sub>2</sub> CH <sub>2</sub> CH <sub>3</sub>	butane	A3	1-4-0	0.1	1,000	2.4	1,000
R-600a	CH(CH <sub>3</sub> ) <sub>2</sub> -CH <sub>3</sub>	isobutane (2-methyl propane)	A3	2-4-0	0.6	4,000	9.6	800
R-601a	(CH <sub>3</sub> ) <sub>2</sub> CHCH <sub>2</sub> CH <sub>3</sub>	isopentane	A3	—	0.2	1,000	2.9	600
R-717	NH <sub>3</sub>	ammonia	B2	3-3-0 <sup>c</sup>	0.014	320	0.22	25
R-718	H <sub>2</sub> O	water	A1	0-0-0	—	—	—	—
R-744	CO <sub>2</sub>	carbon dioxide	A1	2-0-0 <sup>b</sup>	4.5	40,000	72	5,000
R-1150	CH <sub>2</sub> =CH <sub>2</sub>	ethene (ethylene)	A3	1-4-2	—	—	—	200
R-1270	CH <sub>3</sub> CH=CH <sub>2</sub>	Propene (propylene)	A3	1-4-1	0.1	1,000	1.7	500

For SI: 1 pound = 0.454 kg, 1 cubic foot = 0.0283 m<sup>3</sup>.

a. Degrees of hazard are for health, fire, and reactivity, respectively, in accordance with NFPA 704.

b. Reduction to 1-0-0 is allowed if analysis satisfactory to the code official shows that the maximum concentration for a rupture or full loss of refrigerant charge would not exceed the IDLH, considering both the refrigerant quantity and room volume.

c. For installations that are entirely outdoors, use 3-1-0.

d. Class I ozone depleting substance; prohibited for new installations.

e. Occupational Exposure Limit based on the OSHA PEL, ACGIH TLV-TWA, the AIHA WEEL or consistent value on a time-weighted average (TWA) basis (unless noted C for ceiling) for an 8 hr/d and 40 hr/wk.

**1104.2.1 Institutional occupancies.** The amounts shown in Table 1103.1 shall be reduced by 50 percent for all areas of institutional occupancies except kitchens, laboratories and mortuaries. The total of all Group A2, B2, A3 and B3 refrigerants shall not exceed 550 pounds (250 kg) in occupied areas or machinery rooms.

**1104.2.2 Industrial occupancies and refrigerated rooms.** This section applies only to industrial occupancies and refrigerated rooms for manufacturing, food and beverage preparation, meat cutting, other processes and storage. Machinery rooms are not required where all of the following conditions are met:

1. The space containing the machinery is separated from other occupancies by tight construction with tight-fitting doors.
2. Access is restricted to authorized personnel.
3. The floor area per occupant is not less than 100 square feet (9.3 m<sup>2</sup>) where machinery is located on floor levels with exits more than 6.6 feet (2012 mm) above the ground. Where provided with egress directly to the outdoors or into *approved* building exits, the minimum floor area shall not apply.
4. Refrigerant detectors are installed as required for machinery rooms in accordance with Section 1105.3.
5. Surfaces having temperatures exceeding 800°F (427°C) and open flames are not present where any Group A2, B2, A3 or B3 refrigerant is used (see Section 1104.3.4).
6. All electrical *equipment* and appliances conform to Class 1, Division 2, *hazardous location* classification requirements of ((NFPA-70)) the *Seattle Electrical Code* where the quantity of any Group A2, B2, A3 or B3 refrigerant, other than ammonia, in a single independent circuit would exceed 25 percent of the lower flammability limit (LFL) on release to the space.
7. All refrigerant-containing parts in systems exceeding 100 horsepower (hp) (74.6 kW) drive power, except evaporators used for refrigeration or dehumidification; condensers used for heating; control and pressure relief valves for either; and connecting piping, shall be located either outdoors or in a *machinery room*.

**1104.3 Refrigerant restrictions.** Refrigerant applications, maximum quantities and use shall be restricted in accordance with Sections 1104.3.1 through 1104.3.4.

**1104.3.1 Air-conditioning for human comfort.** In other than industrial occupancies where the quantity in a single independent circuit does not exceed the amount in Table 1103.1, Group B1, B2 and B3 refrigerants shall not be used in high-probability systems for air-conditioning for human comfort.

**1104.3.2 Nonindustrial occupancies.** Group A2 and B2 refrigerants shall not be used in high-probability systems where the quantity of refrigerant in any independent refrigerant circuit exceeds the amount shown in Table 1104.3.2. Group A3 and B3 refrigerants shall not be used except where *approved*.

**Exception:** This section does not apply to laboratories where the floor area per occupant is not less than 100 square feet (9.3 m<sup>2</sup>).

**1104.3.3 All occupancies.** The total of all Group A2, B2, A3 and B3 refrigerants other than R-717, ammonia, shall not exceed 1,100 pounds (499 kg) except where *approved*.

**1104.3.4 Protection from refrigerant decomposition.** Where any device having an open flame or surface temperature greater than 800°F (427°C) is used in a room containing more than 6.6 pounds (3 kg) of refrigerant in a single independent circuit, a hood and exhaust system shall be provided in accordance with Section 510. Such exhaust system shall exhaust *combustion* products to the outdoors.

**Exception:** A hood and exhaust system shall not be required:

1. Where the refrigerant is R-717, R-718 or R-744;
2. Where the *combustion* air is ducted from the outdoors in a manner that prevents leaked refrigerant from being combusted; or
3. Where a refrigerant detector is used to stop the *combustion* in the event of a refrigerant leak (see Sections 1105.3 and 1105.5).

**1104.4 Volume calculations.** Volume calculations shall be in accordance with Sections 1104.4.1 through 1104.4.3.

**1104.4.1 Noncommunicating spaces.** Where the refrigerant-containing parts of a system are located in one or more spaces that do not communicate through permanent openings or HVAC ducts, the volume of the smallest, enclosed occupied space shall be used to determine the permissible quantity of refrigerant in the system.

**TABLE 1104.3.2  
MAXIMUM PERMISSIBLE QUANTITIES OF REFRIGERANTS**

TYPE OF REFRIGERATION SYSTEM	MAXIMUM POUNDS FOR VARIOUS OCCUPANCIES			
	Institutional	Assembly	Residential	All other occupancies
<b>Sealed absorption system</b>				
In exit access	0	0	3.3	3.3
In adjacent outdoor locations	0	0	22	22
In other than exit access	0	6.6	6.6	6.6
<b>Unit systems</b>				
In other than exit access	0	0	6.6	6.6

For SI: 1 pound = 0.454 kg.

**1104.4.2 Communicating spaces.** Where an evaporator or condenser is located in an air duct system, the volume of the smallest, enclosed occupied space served by the duct system shall be used to determine the maximum allowable quantity of refrigerant in the system.

**Exception:** If airflow to any enclosed space cannot be reduced below one-quarter of its maximum, the entire space served by the air duct system shall be used to determine the maximum allowable quantity of refrigerant in the system.

**1104.4.3 Plenums.** Where the space above a suspended ceiling is continuous and part of the supply or return air *plenum* system, this space shall be included in calculating the volume of the enclosed space.

## SECTION 1105

### MACHINERY ROOM, GENERAL REQUIREMENTS

**[B] 1105.1 Design and construction.** Machinery rooms shall be designed and constructed in accordance with the *International Building Code* and this section.

**1105.2 Openings.** Ducts and air handlers in the *machinery room* that operate at a lower pressure than the room shall be sealed to prevent any refrigerant leakage from entering the airstream.

**[F] 1105.3 Refrigerant detector.** ~~((Refrigerant detectors in machinery rooms shall be provided as required by Section 606.8 of the *International Fire Code*.) Refrigeration machinery rooms shall contain a refrigerant detector. The detector, or a sampling tube that draws air to the detector, shall be located in an area where refrigerant from a leak will concentrate. The alarm shall be actuated at a value not greater than the corresponding TLV-TWA values shown in the *International Mechanical Code* for the refrigerant classification. Detectors and alarms shall be placed in approved locations.~~

~~The detector shall activate an alarm system utilizing listed and approved fire alarm signaling devices, both audible and visible. The audible and visible alarm devices shall be distinct from the building's fire alarm system (if present). The sound levels shall meet the requirements of Section 907.5.2.1 and visible alarms shall be located in accordance with Section 907.5.2.3.~~

~~The system shall also comply with the mechanical ventilation requirements for emergency conditions in accordance with Section 1105.6.4.~~

**1105.4 Tests.** Periodic tests of the mechanical ventilating system shall be performed in accordance with manufacturer's specifications and as required by the code official.

**1105.5 Fuel-burning appliances.** Fuel-burning appliances and *equipment* having open flames and that use *combustion* air from the *machinery room* shall not be installed in a *machinery room*.

#### Exceptions:

1. Where the refrigerant is carbon dioxide or water.
2. Fuel-burning appliances shall not be prohibited in the same *machinery room* with refrigerant-containing

*equipment* or appliances where *combustion* air is ducted from outside the *machinery room* and sealed in such a manner as to prevent any refrigerant leakage from entering the *combustion* chamber, or where a refrigerant vapor detector is employed to automatically shut off the *combustion* process in the event of refrigerant leakage.

**1105.6 Ventilation.** Machinery rooms shall have continuous mechanical ventilation ~~((be mechanically ventilated))~~ to the outdoors. Mechanical ventilation shall be capable of exhausting the minimum quantity of air both at normal operating and emergency conditions. Multiple fans or multispeed fans shall be allowed in order to produce the emergency ventilation rate and to obtain a reduced airflow for normal ventilation.

**Interpretation:** The requirement for continuous mechanical ventilation to the outdoors means that fire dampers are not allowed on machinery room ventilation ducts.

**Exception:** Where a refrigerating system is located outdoors more than 20 feet (6096 mm) from any building opening and is enclosed by a penthouse, lean-to or other open structure, natural or mechanical ventilation shall be provided. Location of the openings shall be based on the relative density of the refrigerant to air. The free-aperture cross section for the ventilation of the *machinery room* shall be not less than:

$$F = \sqrt{G} \quad \text{(Equation 11-1)}$$

$$\text{For SI: } F = 0.138 \sqrt{G}$$

where:

$F$  = The free opening area in square feet (m<sup>2</sup>).

$G$  = The mass of refrigerant in pounds (kg) in the largest system, any part of which is located in the *machinery room*.

**1105.6.1 Discharge location.** The discharge of the air shall be to the outdoors in accordance with Chapter 5. Exhaust from mechanical ventilation systems shall be discharged not less than 20 feet (6096 mm) from a property line or openings into buildings.

**1105.6.2 Makeup air.** Provisions shall be made for *makeup air* to replace that being exhausted. Openings for *makeup air* shall be located to avoid intake of *exhaust air*. Supply and exhaust ducts to the *machinery room* shall serve no other area, shall be constructed in accordance with Chapter 5 and shall be covered with corrosion-resistant screen of not less than 1/4-inch (6.4 mm) mesh.

**1105.6.3 Quantity—normal ventilation.** During occupied conditions, the mechanical ventilation system shall exhaust the larger of the following:

1. Not less than 0.5 cfm per square foot (0.0025 m<sup>3</sup>/s · m<sup>2</sup>) of *machinery room* area or 20 cfm (0.009 m<sup>3</sup>/s) per person; or



2. A volume required to limit the room temperature rise to 18°F (10°C) taking into account the ambient heating effect of all machinery in the room.

**1105.6.4 Quantity—emergency conditions.** Upon actuation of the refrigerant detector required in Section 1105.3, the mechanical ventilation system shall *exhaust air* from the *machinery room* in the following quantity:

$$Q = 100 \times \sqrt{G} \quad \text{(Equation 11-2)}$$

For SI:  $Q = 0.07 \times \sqrt{G}$

where:

$Q$  = The airflow in cubic feet per minute (m<sup>3</sup>/s).

$G$  = The design mass of refrigerant in pounds (kg) in the largest system, any part of which is located in the *machinery room*.

**[F] 1105.6.5 Standby source of power required.** Where treatment, detection, continuous ventilation, or alarm systems are required, such systems shall be connected to a legally-required standby source of power to supply electrical power in the event of loss of power from the primary source. See the *International Fire Code*, Section 604.2 and Chapter 27 and *Seattle Electrical Code* Article 701.

**1105.7 Termination of relief devices.** Pressure relief devices, fusible plugs and purge systems located within the *machinery room* shall terminate outside of the structure at a location not less than 15 feet (4572 mm) above the adjoining grade level and not less than 20 feet (6096 mm) from any window, ventilation opening or exit.

For additional requirements regarding termination of relief devices for flammable refrigerants, toxic and highly toxic refrigerants, ammonia refrigerant, treatment systems, flaring systems, and ammonia diffusion systems, see Section 606.11 of the *International Fire Code*.

**1105.8 Ammonia discharge.** Pressure relief valves for ammonia systems shall discharge in accordance with ASHRAE 15.

**[F] 1105.9 Emergency pressure control system.** Refrigeration systems containing more than 6.6 pounds (3 kg) of flammable, toxic or highly toxic refrigerant or ammonia shall be provided with an emergency pressure control system in accordance with Section 606.10 of the *International Fire Code*.

## SECTION 1106

### MACHINERY ROOM, SPECIAL REQUIREMENTS

**1106.1 General.** Where required by Section 1104.2, the *machinery room* shall meet the requirements of this section in addition to the requirements of Section 1105.

**1106.2 Elevated temperature.** There shall not be an open flame-producing device or continuously operating hot surface over 800°F (427°C) permanently installed in the room.

**1106.3 Ammonia room ventilation.** Ventilation systems in ammonia machinery rooms shall be operated continuously at the ((emergency)) normal ventilation rate determined in accordance with Section 1105.6.4.

**Exception((s)):**

~~(1: Machinery rooms equipped with a vapor detector that will automatically start the ventilation system at the emergency rate determined in accordance with Section 1105.6.4, and that will actuate an alarm at a detection level not to exceed 1,000 ppm; or~~

~~2:)) Machinery rooms conforming to the Class 1, Division 2, hazardous location classification requirements of ((NFPA-70)) the *Seattle Electrical Code*.~~

**1106.4 Flammable refrigerants.** Where refrigerants of Groups A2, A3, B2 and B3 are used, the *machinery room* shall conform to the Class 1, Division 2, hazardous location classification requirements of ((NFPA-70)) the *Seattle Electrical Code*.

**Exception:** Ammonia machinery rooms, but not including ventilation fan motors.

**[F] 1106.5 Remote controls.** Remote control of the mechanical *equipment* and appliances located in the *machinery room* shall be provided as required by Section 606.9 of the *International Fire Code*.

**[F] 1106.5.1 Refrigeration system.** A clearly identified switch of the break-glass type shall provide off-only control of electrically energized *equipment* and appliances in the *machinery room*, other than refrigerant leak detectors and *machinery room* ventilation.

**Exception:** In machinery rooms where only nonflammable refrigerants are used, electrical *equipment* and appliances, other than compressors, are not required to be provided with a cutoff switch.

**[F] 1106.5.2 Ventilation system.** A clearly identified switch of the break-glass type shall provide on-only control of the *machinery room* ventilation fans.

**[F] 1106.6 Emergency signs and labels.** Refrigeration units and systems shall be provided with *approved* emergency signs, charts, and labels in accordance with the *International Fire Code*.

**[F] 1106.7 Alarm activation.** Where continuous ventilation is provided, failure of the ventilation system shall automatically activate an audible and visual alarm.

## SECTION 1107 REFRIGERANT PIPING

**1107.1 General.** All refrigerant piping shall be installed, tested and placed in operation in accordance with this chapter.

**1107.2 Piping location.** Refrigerant piping that crosses an open space that affords passageway in any building shall be not less than 7 feet 3 inches (2210 mm) above the floor unless the piping is located against the ceiling of such space. Refrigerant piping shall not be placed in any elevator, dumbwaiter or other shaft containing a moving object or in any shaft that has openings to living quarters or to means of egress. Refrigerant piping shall not be installed in an enclosed public stairway, stair landing or means of egress.

**1107.2.1 Piping in concrete floors.** Refrigerant piping installed in concrete floors shall be encased in pipe ducts.

The piping shall be isolated and supported to prevent damaging vibration, stress and corrosion.

**1107.2.2 Refrigerant penetrations.** Refrigerant piping shall not penetrate floors, ceilings or roofs.

**Exceptions:**

1. Penetrations connecting the basement and the first floor.
2. Penetrations connecting the top floor and a machinery penthouse or roof installation.
3. Penetrations connecting adjacent floors served by the refrigeration system.
4. Penetrations by piping in a direct system where the refrigerant quantity does not exceed Table 1103.1 for the smallest occupied space through which the piping passes.
5. In other than industrial occupancies and where the refrigerant quantity exceeds Table 1103.1 for the smallest space, penetrations for piping that connects separate pieces of *equipment* that are either:
  - 5.1. Enclosed by an *approved* gas-tight, fire-resistive duct or shaft with openings to those floors served by the refrigeration system or
  - 5.2. Located on the exterior of the building where vented to the outdoors or to the space served by the system and not used as an air shaft, closed court or similar space.

**1107.3 Pipe enclosures.** Rigid or flexible metal enclosures or pipe ducts shall be provided for soft, annealed copper tubing and used for refrigerant piping erected on the premises and containing other than Group A1 or B1 refrigerants. Enclosures shall not be required for connections between condensing units and the nearest riser box(es), provided such connections do not exceed 6 feet (1829 mm) in length.

**1107.4 Condensation.** All refrigerating piping and fittings, brine piping and fittings that, during normal operation, will reach a surface temperature below the dew point of the surrounding air, and are located in spaces or areas where condensation will cause a safety hazard to the building occupants, structure, electrical *equipment* or any other *equipment* or appliances, shall be protected in an *approved* manner to prevent such damage.

**1107.5 Materials for refrigerant pipe and tubing.** Piping materials shall be as set forth in Sections 1107.5.1 through 1107.5.5.

**1107.5.1 Steel pipe.** Carbon steel pipe with a wall thickness not less than Schedule 80 shall be used for Group A2, A3, B2 or B3 refrigerant liquid lines for sizes 1.5 inches (38 mm) and smaller. Carbon steel pipe with a wall thickness not less than Schedule 40 shall be used for Group A1 or B1 refrigerant liquid lines 6 inches (152 mm) and smaller, Group A2, A3, B2 or B3 refrigerant liquid lines sizes 2 inches (51 mm) through 6 inches (152 mm) and all refrigerant suction and discharge lines 6 inches (152 mm) and smaller. (~~Type F steel pipe shall not be used for refriger-~~

~~ant~~) Refrigerant lines having an operating temperature less than -20°F (-29°C) shall be designed to meet the requirements of ASME B31.5-2001, Refrigeration Piping and Heat Transfer.

**1107.5.2 Copper and brass pipe.** Standard iron-pipe size, copper and red brass (not less than 80-percent copper) pipe shall conform to ASTM B 42 and ASTM B 43.

**1107.5.3 Copper tube.** Copper tube used for refrigerant piping erected on the premises shall be seamless copper tube of Type ACR (hard or annealed) complying with ASTM B 280. Where *approved*, copper tube for refrigerant piping erected on the premises shall be seamless copper tube of Type K, L or M (drawn or annealed) in accordance with ASTM B 88. Annealed temper copper tube shall not be used in sizes larger than a 2-inch (51 mm) nominal size. Mechanical joints shall not be used on annealed temper copper tube in sizes larger than  $\frac{7}{8}$ -inch (22.2 mm) OD size.

**1107.5.4 Copper tubing joints.** Copper tubing joints used in refrigerating systems containing Group A2, A3, B2 or B3 refrigerants shall be brazed. Soldered joints shall not be used in such refrigerating systems.

**1107.5.5 Aluminum tube.** Type 3003-0 aluminum tubing with high-pressure fittings shall not be used with methyl chloride and other refrigerants known to attack aluminum.

**1107.6 Joints and refrigerant-containing parts in air ducts.** Joints and all refrigerant-containing parts of a refrigerating system located in an air duct of an air-conditioning system carrying conditioned air to and from human-occupied space shall be constructed to withstand, without leakage, a pressure of 150 percent of the higher of the design pressure or pressure relief device setting.

**1107.7 Exposure of refrigerant pipe joints.** Refrigerant pipe joints erected on the premises shall be exposed for visual inspection prior to being covered or enclosed.

**1107.8 Stop valves.** All systems containing more than 6.6 pounds (3 kg) of a refrigerant in systems using positive-displacement compressors shall have stop valves installed as follows:

1. At the inlet of each compressor, compressor unit or condensing unit.
2. At the discharge outlet of each compressor, compressor unit or condensing unit and of each liquid receiver.

**Exceptions:**

1. Systems that have a refrigerant pumpout function capable of storing the entire refrigerant charge in a receiver or heat exchanger.
2. Systems that are equipped with provisions for pumpout of the refrigerant using either portable or permanently installed recovery *equipment*.
3. Self-contained systems.

**1107.8.1 Liquid receivers.** All systems containing 100 pounds (45 kg) or more of a refrigerant, other than systems utilizing nonpositive displacement compressors, shall have stop valves, in addition to those required by Section 1107.8, on each inlet of each liquid receiver. Stop valves shall not be

required on the inlet of a receiver in a condensing unit, nor on the inlet of a receiver which is an integral part of the condenser.

Ammonia systems shall be provided with liquid receivers designed for pumpdown that have sufficient capacity to assure that the liquid does not occupy more than 90 percent of the volume of the receiver at 90°F.

**1107.8.2 Copper tubing.** Stop valves used with soft annealed copper tubing or hard-drawn copper tubing  $\frac{7}{8}$ -inch (22.2 mm) OD standard size or smaller shall be securely mounted, independent of tubing fastenings or supports.

**1107.8.3 Identification.** Stop valves shall be identified where their intended purpose is not obvious. Numbers shall not be used to label the valves, unless a key to the numbers is located near the valves.

## SECTION 1108 FIELD TEST

**1108.1 General.** Every refrigerant-containing part of every system that is erected on the premises, except compressors, condensers, vessels, evaporators, safety devices, pressure gauges and control mechanisms that are *listed* and factory tested, shall be tested and proved tight after complete installation, and before operation. Tests shall include both the high- and low-pressure sides of each system at not less than the lower of the design pressures or the setting of the pressure relief device(s). The design pressures for testing shall be those listed on the condensing unit, compressor or compressor unit nameplate, as required by ASHRAE 15.

### Exceptions:

1. Gas bulk storage tanks that are not permanently connected to a refrigeration system.
2. Systems erected on the premises with copper tubing not exceeding  $\frac{5}{8}$ -inch (15.8 mm) OD, with wall thickness as required by ASHRAE 15, shall be tested in accordance with Section 1108.1, or by means of refrigerant charged into the system at the saturated vapor pressure of the refrigerant at 70°F (21°C) or higher.
3. Limited-charge systems equipped with a pressure relief device, erected on the premises, shall be tested at a pressure not less than one and one-half times the pressure setting of the relief device. If the *equipment* or *appliance* has been tested by the manufacturer at one and one-half times the design pressure, the test after erection on the premises shall be conducted at the design pressure.

**1108.1.1 Booster compressor.** Where a compressor is used as a booster to obtain an intermediate pressure and discharges into the suction side of another compressor, the booster compressor shall be considered a part of the low side, provided that it is protected by a pressure relief device.

**1108.1.2 Centrifugal/nonpositive displacement compressors.** In field-testing systems using centrifugal or other nonpositive displacement compressors, the entire system

shall be considered as the low-side pressure for field test purposes.

**1108.2 Test gases.** Tests shall be performed with an inert dried gas including, but not limited to, nitrogen and carbon dioxide. Oxygen, air, combustible gases and mixtures containing such gases shall not be used.

**Exception:** The use of air is allowed to test R-717, ammonia, systems provided that they are subsequently evacuated before charging with refrigerant.

**1108.3 Test apparatus.** The means used to build up the test pressure shall have either a pressure-limiting device or a pressure-reducing device and a gauge on the outlet side.

**1108.4 Declaration.** A certificate of test shall be provided for all systems containing 55 pounds (25 kg) or more of refrigerant. The certificate shall give the name of the refrigerant and the field test pressure applied to the high side and the low side of the system. The certification of test shall be signed by the installer and shall be made part of the public record.

## [F] SECTION 1109 PERIODIC TESTING

**1109.1 Testing required.** The following emergency devices and systems shall be periodically tested in accordance with the manufacturer's instructions and as required by the code official:

1. Treatment and flaring systems.
2. Valves and appurtenances necessary to the operation of emergency refrigeration control boxes.
3. Fans and associated *equipment* intended to operate emergency pure ventilation systems.
4. Detection and alarm systems.





# CHAPTER 12

## HYDRONIC PIPING

### SECTION 1201 GENERAL

**1201.1 Scope.** The provisions of this chapter shall govern the construction, installation, *alteration* and repair of hydronic piping systems. This chapter shall apply to hydronic piping systems that are part of heating, ventilation and air-conditioning systems. Such piping systems shall include steam, hot water, chilled water, steam condensate and ground source heat pump loop systems. Potable cold and hot water distribution systems shall be installed in accordance with the ((*International*)) *Uniform Plumbing Code*.

**1201.2 Sizing.** Piping and piping system components for hydronic systems shall be sized for the demand of the system.

**1201.3 Standards.** As an alternative to the provisions of Sections 1202 and 1203, piping shall be designed, installed, inspected and tested in accordance with ASME B31.9.

### SECTION 1202 MATERIAL

**1202.1 Piping.** Piping material shall conform to the standards cited in this section.

**Exception:** Embedded piping regulated by Section 1209.

**1202.2 Used materials.** Reused pipe, fittings, valves or other materials shall be clean and free of foreign materials and shall be *approved* by the code official for reuse.

**1202.3 Material rating.** Materials shall be rated for the operating temperature and pressure of the hydronic system. Materials shall be suitable for the type of fluid in the hydronic system.

**1202.4 Piping materials standards.** Hydronic pipe shall conform to the standards listed in Table 1202.4. The exterior of the pipe shall be protected from corrosion and degradation.

**TABLE 1202.4  
HYDRONIC PIPE**

MATERIAL	STANDARD (see Chapter 15)
Acrylonitrile butadiene styrene (ABS) plastic pipe	ASTM D 1527; ASTM D 2282
Brass pipe	ASTM B 43
Brass tubing	ASTM B 135
Copper or copper-alloy pipe	ASTM B 42; ASTM B 302
Copper or copper-alloy tube (Type K, L or M)	ASTM B 75; ASTM B 88; ASTM B 251
Chlorinated polyvinyl chloride (CPVC) plastic pipe	ASTM D 2846; ASTM F 441; ASTM F 442
Cross-linked polyethylene/aluminum/cross-linked polyethylene (PEX-AL-PEX) pressure pipe	ASTM F 1281; CSA CAN/CSA-B-137.10

(continued)

**TABLE 1202.4—continued  
HYDRONIC PIPE**

MATERIAL	STANDARD (see Chapter 15)
Cross-linked polyethylene (PEX) tubing	ASTM F 876; ASTM F 877
Ductile iron pipe	AWWA C151/A21.51; AWWA C115/A21.15
Lead pipe	FS WW-P-325B
Polybutylene (PB) plastic pipe and tubing	ASTM D 3309
Polyethylene/aluminum/polyethylene (PE-AL-PE) pressure pipe	ASTM F 1282; CSA B137.9
Polyethylene (PE) pipe, tubing and fittings (for ground source heat pump loop systems)	ASTM D 2513; ASTM D 3035; ASTM D 2447; ASTM D 2683; ASTM F 1055; ASTM D 2837; ASTM D 3350; ASTM D 1693
Polypropylene (PP) plastic pipe	ASTM F 2389
Polyvinyl chloride (PVC) plastic pipe	ASTM D 1785; ASTM D 2241
Raised temperature polyethylene (PE-RT)	ASTM F 2623
Steel pipe	ASTM A 53; ASTM A 106
Steel tubing	ASTM A 254

**1202.5 Pipe fittings.** Hydronic pipe fittings shall be *approved* for installation with the piping materials to be installed, and shall conform to the respective pipe standards or to the standards listed in Table 1202.5.

**TABLE 1202.5  
HYDRONIC PIPE FITTINGS**

MATERIAL	STANDARD (see Chapter 15)
Brass	ASTM F 1974
Bronze	ASME B16.24
Copper and copper alloys	ASME B16.15; ASME B16.18; ASME B16.22; ASME B16.23; ASME B16.26; ASME B16.29
Ductile iron and gray iron	ANSI/AWWA C110/A21.10
Ductile iron	ANSI/AWWA C153/A21.53
Gray iron	ASTM A 126
Malleable iron	ASME B16.3
Plastic	ASTM D 2466; ASTM D 2467; ASTM D 2468; ASTM F 438; ASTM F 439; ASTM F 877; ASTM F 2389
Steel	ASME B16.5; ASME B16.9; ASME B16.11; ASME B16.28; ASTM A 420

**1202.6 Valves.** Valves shall be constructed of materials that are compatible with the type of piping material and fluids in the system. Valves shall be rated for the temperatures and pressures of the systems in which the valves are installed.

**1202.7 Flexible connectors, expansion and vibration compensators.** Flexible connectors, expansion and vibration control devices and fittings shall be of an *approved* type.

## SECTION 1203 JOINTS AND CONNECTIONS

**1203.1 Approval.** Joints and connections shall be of an *approved* type. Joints and connections shall be tight for the pressure of the hydronic system.

**1203.1.1 Joints between different piping materials.** Joints between different piping materials shall be made with *approved* adapter fittings. Joints between different metallic piping materials shall be made with *approved* dielectric fittings or brass converter fittings.

**1203.2 Preparation of pipe ends.** Pipe shall be cut square, reamed and chamfered, and shall be free of burrs and obstructions. Pipe ends shall have full-bore openings and shall not be undercut.

**1203.3 Joint preparation and installation.** When required by Sections 1203.4 through 1203.14, the preparation and installation of brazed, mechanical, soldered, solvent-cemented, threaded and welded joints shall comply with Sections 1203.3.1 through 1203.3.7.

**1203.3.1 Brazed joints.** Joint surfaces shall be cleaned. An *approved* flux shall be applied where required. The joint shall be brazed with a filler metal conforming to AWS A5.8.

**1203.3.2 Mechanical joints.** Mechanical joints shall be installed in accordance with the manufacturer's instructions.

**1203.3.3 Soldered joints.** Joint surfaces shall be cleaned. A flux conforming to ASTM B 813 shall be applied. The joint shall be soldered with a solder conforming to ASTM B 32.

**1203.3.4 Solvent-cemented joints.** Joint surfaces shall be clean and free of moisture. An *approved* primer shall be applied to CPVC and PVC pipe-joint surfaces. Joints shall be made while the cement is wet. Solvent cement conforming to the following standards shall be applied to all joint surfaces:

1. ASTM D 2235 for ABS joints.
2. ASTM F 493 for CPVC joints.
3. ASTM D 2564 for PVC joints.

CPVC joints shall be made in accordance with ASTM D 2846.

**1203.3.5 Threaded joints.** Threads shall conform to ASME B1.20.1. Schedule 80 or heavier plastic pipe shall be threaded with dies specifically designed for plastic pipe. Thread lubricant, pipe-joint compound or tape shall be applied on the male threads only and shall be *approved* for application on the piping material.

**1203.3.6 Welded joints.** Joint surfaces shall be cleaned by an *approved* procedure. Joints shall be welded with an *approved* filler metal.

**1203.3.7 Grooved and shouldered mechanical joints.** Grooved and shouldered mechanical joints shall conform to the requirements of ASTM F 1476 and shall be installed in accordance with the manufacturer's installation instructions.

**1203.3.8 Mechanically formed tee fittings.** Mechanically extracted outlets shall have a height not less than three times the thickness of the branch tube wall.

**1203.3.8.1 Full flow assurance.** Branch tubes shall not restrict the flow in the run tube. A dimple/depth stop shall be formed in the branch tube to ensure that penetration into the outlet is of the correct depth. For inspection purposes, a second dimple shall be placed  $\frac{1}{4}$  inch (6.4 mm) above the first dimple. Dimples shall be aligned with the tube run.

**1203.3.8.2 Brazed joints.** Mechanically formed tee fittings shall be brazed in accordance with Section 1203.3.1.

**1203.4 ABS plastic pipe.** Joints between ABS plastic pipe or fittings shall be solvent-cemented or threaded joints conforming to Section 1203.3.

**1203.5 Brass pipe.** Joints between brass pipe or fittings shall be brazed, mechanical, threaded or welded joints conforming to Section 1203.3.

**1203.6 Brass tubing.** Joints between brass tubing or fittings shall be brazed, mechanical or soldered joints conforming to Section 1203.3.

**1203.7 Copper or copper-alloy pipe.** Joints between copper or copper-alloy pipe or fittings shall be brazed, mechanical, soldered, threaded or welded joints conforming to Section 1203.3.

**1203.8 Copper or copper-alloy tubing.** Joints between copper or copper-alloy tubing or fittings shall be brazed, mechanical or soldered joints conforming to Section 1203.3, flared joints conforming to Section 1203.8.1 or push-fit joints conforming to Section 1203.8.2.

**1203.8.1 Flared joints.** Flared joints shall be made by a tool designed for that operation.

**1203.8.2 Push-fit joints.** Push-fit joints shall be installed in accordance with the manufacturer's instructions.

**1203.9 CPVC plastic pipe.** Joints between CPVC plastic pipe or fittings shall be solvent-cemented or threaded joints conforming to Section 1203.3.

**1203.10 Polybutylene plastic pipe and tubing.** Joints between polybutylene plastic pipe and tubing or fittings shall be mechanical joints conforming to Section 1203.3 or heat-fusion joints conforming to Section 1203.10.1.

**1203.10.1 Heat-fusion joints.** Joints shall be of the socket-fusion or butt-fusion type. Joint surfaces shall be clean and free of moisture. Joint surfaces shall be heated to melt temperatures and joined. The joint shall be undisturbed until cool. Joints shall be made in accordance with ASTM D 3309.

**1203.11 Cross-linked polyethylene (PEX) plastic tubing.** Joints between cross-linked polyethylene plastic tubing and fittings shall conform to Sections 1203.11.1 and 1203.11.2. Mechanical joints shall conform to Section 1203.3.

**1203.11.1 Compression-type fittings.** When compression-type fittings include inserts and ferrules or O-rings, the fittings shall be installed without omitting the inserts and ferrules or O-rings.

**1203.11.2 Plastic-to-metal connections.** Soldering on the metal portion of the system shall be performed at least 18 inches (457 mm) from a plastic-to-metal adapter in the same water line.

**1203.12 PVC plastic pipe.** Joints between PVC plastic pipe and fittings shall be solvent-cemented or threaded joints conforming to Section 1203.3.

**1203.13 Steel pipe.** Joints between steel pipe or fittings shall be mechanical joints that are made with an *approved* elastomeric seal, or shall be threaded or welded joints conforming to Section 1203.3.

**1203.14 Steel tubing.** Joints between steel tubing or fittings shall be mechanical or welded joints conforming to Section 1203.3.

**1203.15 Polyethylene plastic pipe and tubing for ground source heat pump loop systems.** Joints between polyethylene plastic pipe and tubing or fittings for ground source heat pump loop systems shall be heat fusion joints conforming to Section 1203.15.1, electrofusion joints conforming to Section 1203.15.2, or stab-type insertion joints conforming to Section 1203.15.3.

**1203.15.1 Heat-fusion joints.** Joints shall be of the socket-fusion, saddle-fusion or butt-fusion type, joined in accordance with ASTM D 2657. Joint surfaces shall be clean and free of moisture. Joint surfaces shall be heated to melt temperatures and joined. The joint shall be undisturbed until cool. Fittings shall be manufactured in accordance with ASTM D 2683 or ASTM D 3261.

**1203.15.2 Electrofusion joints.** Joints shall be of the electrofusion type. Joint surfaces shall be clean and free of moisture, and scoured to expose virgin resin. Joint surfaces shall be heated to melt temperatures for the period of time specified by the manufacturer. The joint shall be undisturbed until cool. Fittings shall be manufactured in accordance with ASTM F 1055.

**1203.15.3 Stab-type insert fittings.** Joint surfaces shall be clean and free of moisture. Pipe ends shall be chamfered and inserted into the fittings to full depth. Fittings shall be manufactured in accordance with ASTM F 1924.

**1203.16 Polypropylene (PP) plastic.** Joints between PP plastic pipe and fittings shall comply with Sections 1203.16.1 and 1203.16.2.

**1203.16.1 Heat-fusion joints.** Heat-fusion joints for polypropylene (PP) pipe and tubing joints shall be installed with socket-type heat-fused polypropylene fittings, electrofusion polypropylene fittings or by butt fusion. Joint sur-

faces shall be clean and free from moisture. The joint shall be undisturbed until cool. Joints shall be made in accordance with ASTM F 2389.

**1203.16.2 Mechanical and compression sleeve joints.** Mechanical and compression sleeve joints shall be installed in accordance with the manufacturer's instructions.

**1203.17 Raised temperature polyethylene (PE-RT) plastic tubing.** Joints between raised temperature polyethylene tubing and fittings shall conform to Sections 1203.17.1 and 1203.17.2. Mechanical joints shall conform to Section 1203.3.

**1203.17.1 Compression-type fittings.** Where compression-type fittings include inserts and ferrules or O-rings, the fittings shall be installed without omitting the inserts and ferrules or O-rings.

**1203.17.2 PE-RT-to-metal connections.** Solder joints in a metal pipe shall not occur within 18 inches (457 mm) of a transition from such metal pipe to PE-RT pipe.

**1203.18 Polyethylene/aluminum/polyethylene (PE-AL-PE) pressure pipe.** Joints between polyethylene/aluminum/polyethylene pressure pipe and fittings shall conform to Sections 1203.18.1 and 1203.18.2. Mechanical joints shall comply with Section 1203.3.

**1203.18.1 Compression-type fittings.** Where compression-type fittings include inserts and ferrules or O-rings, the fittings shall be installed without omitting the inserts and ferrules or O-rings.

**1203.18.2 PE-AL-PE-to-metal connections.** Solder joints in a metal pipe shall not occur within 18 inches (457 mm) of a transition from such metal pipe to PE-AL-PE pipe.

**1203.19 Cross-linked polyethylene/aluminum/cross-linked polyethylene (PEX-AL-PEX) pressure pipe.** Joints between cross-linked polyethylene/aluminum/cross-linked polyethylene pressure pipe and fittings shall conform to Sections 1203.19.1 and 1203.19.2. Mechanical joints shall comply with Section 1203.3.

**1203.19.1 Compression-type fittings.** Where compression-type fittings include inserts and ferrules or O-rings, the fittings shall be installed without omitting the inserts and ferrules or O-rings.

**1203.19.2 PEX-AL-PEX-to-metal connections.** Solder joints in a metal pipe shall not occur within 18 inches (457 mm) of a transition from such metal pipe to PEX-AL-PEX pipe.

## SECTION 1204 PIPE INSULATION

**1204.1 Insulation characteristics.** Pipe insulation installed in buildings shall conform to the requirements of the (*International Energy Conservation Code*) *Washington State Energy Code with Seattle Amendments*; shall be tested in accordance with ASTM E 84 or UL 723, using the specimen preparation and mounting procedures of ASTM E 2231; and shall have a maximum flame spread index of 25 and a smoke-developed

index not exceeding 450. Insulation installed in an air *plenum* shall comply with Section 602.2.1.

**Exception:** The maximum flame spread index and smoke-developed index shall not apply to one- and two-family *dwellings*.

**1204.2 Required thickness.** Hydronic piping shall be insulated to the thickness required by the ((*International Energy Conservation Code*)) *Washington State Energy Code with Seattle Amendments*.

## SECTION 1205 VALVES

**1205.1 Where required.** Shutoff valves shall be installed in hydronic piping systems in the locations indicated in Sections 1205.1.1 through 1205.1.6.

**1205.1.1 Heat exchangers.** Shutoff valves shall be installed on the supply and return side of a heat exchanger.

**Exception:** Shutoff valves shall not be required when heat exchangers are integral with a boiler; or are a component of a manufacturer's boiler and heat exchanger packaged unit and are capable of being isolated from the hydronic system by the supply and return valves required by Section 1005.1.

**1205.1.2 Central systems.** Shutoff valves shall be installed on the building supply and return of a central utility system.

**1205.1.3 Pressure vessels.** Shutoff valves shall be installed on the connection to any pressure vessel.

**1205.1.4 Pressure-reducing valves.** Shutoff valves shall be installed on both sides of a pressure-reducing valve.

**1205.1.5 Equipment and appliances.** Shutoff valves shall be installed on connections to mechanical *equipment* and appliances. This requirement does not apply to components of a hydronic system such as pumps, air separators, metering devices and similar *equipment*.

**1205.1.6 Expansion tanks.** Shutoff valves shall be installed at connections to nondiaphragm-type expansion tanks.

**1205.2 Reduced pressure.** A pressure relief valve shall be installed on the low-pressure side of a hydronic piping system that has been reduced in pressure. The relief valve shall be set at the maximum pressure of the system design. The valve shall be installed in accordance with Section 1006.

## SECTION 1206 PIPING INSTALLATION

**1206.1 General.** Piping, valves, fittings and connections shall be installed in accordance with the conditions of approval.

**1206.2 System drain down.** Hydronic piping systems shall be designed and installed to permit the system to be drained. Where the system drains to the plumbing drainage system, the installation shall conform to the requirements of the ((*International*)) *Uniform Plumbing Code*.

**Exception:** The buried portions of systems embedded underground or under floors.

**1206.3 Protection of potable water.** The potable water system shall be protected from backflow in accordance with the ((*International*)) *Uniform Plumbing Code*.

**1206.4 Pipe penetrations.** Openings for pipe penetrations in walls, floors or ceilings shall be larger than the penetrating pipe. Openings through concrete or masonry building elements shall be sleeved. The annular space surrounding pipe penetrations shall be protected in accordance with the *International Building Code*.

**1206.5 Clearance to combustibles.** A pipe in a hydronic piping system in which the exterior temperature exceeds 250°F (121°C) shall have a minimum *clearance* of 1 inch (25 mm) to combustible materials.

**1206.6 Contact with building material.** A hydronic piping system shall not be in direct contact with building materials that cause the piping material to degrade or corrode, or that interfere with the operation of the system.

**1206.7 Water hammer.** The flow velocity of the hydronic piping system shall be controlled to reduce the possibility of water hammer. Where a quick-closing valve creates water hammer, an *approved* water-hammer arrestor shall be installed. The arrestor shall be located within a range as specified by the manufacturer of the quick-closing valve.

**1206.8 Steam piping pitch.** Steam piping shall be installed to drain to the boiler or the steam trap. Steam systems shall not have drip pockets that reduce the capacity of the steam piping.

**1206.9 Strains and stresses.** Piping shall be installed so as to prevent detrimental strains and stresses in the pipe. Provisions shall be made to protect piping from damage resulting from expansion, contraction and structural settlement. Piping shall be installed so as to avoid structural stresses or strains within building components.

**1206.9.1 Flood hazard.** Piping located in a flood hazard area shall be capable of resisting hydrostatic and hydrodynamic loads and stresses, including the effects of buoyancy, during the occurrence of flooding to the *design flood elevation*.

**1206.10 Pipe support.** Pipe shall be supported in accordance with Section 305.

**1206.11 Condensation.** Provisions shall be made to prevent the formation of condensation on the exterior of piping.

## SECTION 1207 TRANSFER FLUID

**1207.1 Flash point.** The flash point of transfer fluid in a hydronic piping system shall be a minimum of 50°F (28°C) above the maximum system operating temperature.

**1207.2 Makeup water.** The transfer fluid shall be compatible with the makeup water supplied to the system.

## SECTION 1208 TESTS

**1208.1 General.** Hydronic piping systems other than ground-source heat pump loop systems shall be tested hydrostatically



at one and one half times the maximum system design pressure, but not less than 100 psi (689 kPa). The duration of each test shall be not less than 15 minutes. Ground-source heat pump loop systems shall be tested in accordance with Section 1208.1.1.

**1208.1.1 Ground source heat pump loop systems.** Before connection (header) trenches are backfilled, the assembled loop system shall be pressure tested with water at 100 psi (689 kPa) for 30 minutes with no observed leaks. Flow and pressure loss testing shall be performed and the actual flow rates and pressure drops shall be compared to the calculated design values. If actual flow rate or pressure drop values differ from calculated design values by more than 10 percent, the problem shall be identified and corrected.

## SECTION 1209 EMBEDDED PIPING

**1209.1 Materials.** Piping for heating panels shall be standard-weight steel pipe, Type L copper tubing, polybutylene or other *approved* plastic pipe or tubing rated at 100 psi (689 kPa) at 180°F (82°C).

**1209.2 Pressurizing during installation.** Piping to be embedded in concrete shall be pressure tested prior to pouring concrete. During pouring, the pipe shall be maintained at the proposed operating pressure.

**1209.3 Embedded joints.** Joints of pipe or tubing that are embedded in a portion of the building, such as concrete or plaster, shall be in accordance with the requirements of Sections 1209.3.1 through 1209.3.3.

**1209.3.1 Steel pipe joints.** Steel pipe shall be welded by electrical arc or oxygen/acetylene method.

**1209.3.2 Copper tubing joints.** Copper tubing shall be joined by brazing with filler metals having a melting point of not less than 1,000°F (538°C).

**1209.3.3 Polybutylene joints.** Polybutylene pipe and tubing shall be installed in continuous lengths or shall be joined by heat fusion in accordance with Section 1203.10.1.

**1209.4 Not embedded related piping.** Joints of other piping in cavities or running exposed shall be joined by *approved* methods in accordance with manufacturer's installation instructions and related sections of this code.

**1209.5 Thermal barrier required.** Radiant floor heating systems shall be provided with a thermal barrier in accordance with Sections 1209.5.1 through 1209.5.4.

**Exception:** Insulation shall not be required in engineered systems where it can be demonstrated that the insulation will decrease the efficiency or have a negative effect on the installation.

**1209.5.1 Slab-on-grade installation.** Radiant piping utilized in slab-on-grade applications shall be provided with insulating materials installed beneath the piping having a minimum *R*-value ~~((of 5:))~~ in accordance with the *Seattle Energy Code*.

**1209.5.2 Suspended floor installation.** In suspended floor applications, insulation shall be installed in the joist bay

cavity serving the heating space above and shall consist of materials having a minimum *R*-value ~~((of 11:))~~ in accordance with the *Seattle Energy Code*.

**1209.5.3 Thermal break required.** A thermal break shall be provided consisting of asphalt expansion joint materials or similar insulating materials at a point where a heated slab meets a foundation wall or other conductive slab.

**1209.5.4 Thermal barrier material marking.** Insulating materials utilized in thermal barriers shall be installed such that the manufacturer's *R*-value mark is readily observable upon inspection.



# CHAPTER 13

## FUEL OIL PIPING AND STORAGE

### SECTION 1301 GENERAL

**1301.1 Scope.** This chapter shall govern the design, installation, construction and repair of fuel-oil storage and piping systems. The storage of fuel oil and flammable and combustible liquids shall be in accordance with Chapters 6 and 34 of the *International Fire Code*.

**1301.2 Storage and piping systems.** Fuel-oil storage systems shall comply with Section 603.3 of the *International Fire Code*. Fuel-oil piping systems shall comply with the requirements of this code.

**1301.3 Fuel type.** An *appliance* shall be designed for use with the type of fuel to which it will be connected. Such *appliance* shall not be converted from the fuel specified on the rating plate for use with a different fuel without securing reapproval from the code official.

**1301.4 Fuel tanks, piping and valves.** The tank, piping and valves for appliances burning oil shall be installed in accordance with the requirements of this chapter. When an oil burner is served by a tank, any part of which is above the level of the burner inlet connection and where the fuel supply line is taken from the top of the tank, an *approved* antisiphon valve or other siphon-breaking device shall be installed in lieu of the shutoff valve.

**1301.5 Tanks abandoned or removed.** All exterior above-grade fill piping shall be removed when tanks are abandoned or removed. Tank abandonment and removal shall be in accordance with Section 3404.2.13 of the *International Fire Code*.

### SECTION 1302 MATERIAL

**1302.1 General.** Piping materials shall conform to the standards cited in this section.

**1302.2 Rated for system.** All materials shall be rated for the operating temperatures and pressures of the system, and shall be compatible with the type of liquid.

**1302.3 Pipe standards.** Fuel oil pipe shall comply with one of the standards listed in Table 1302.3.

**1302.4 Nonmetallic pipe.** All nonmetallic pipe shall be *listed* and *labeled* as being acceptable for the intended application for flammable and combustible liquids. Nonmetallic pipe shall be installed only outside, underground.

**1302.5 Fittings and valves.** Fittings and valves shall be *approved* for the piping systems, and shall be compatible with, or shall be of the same material as, the pipe or tubing.

**1302.6 Bending of pipe.** Pipe shall be *approved* for bending. Pipe bends shall be made with *approved equipment*. The bend shall not exceed the structural limitations of the pipe.

**TABLE 1302.3  
FUEL OIL PIPING**

MATERIAL	STANDARD (see Chapter 15)
Brass pipe	ASTM B 43
Brass tubing	ASTM B 135
Copper or copper-alloy pipe	ASTM B 42; ASTM B 302
Copper or copper-alloy tubing (Type K, L or M)	ASTM B 75; ASTM B 88; ASTM B 280
Labeled pipe	(See Section 1302.4)
Nonmetallic pipe	ASTM D 2996
Steel pipe	ASTM A 53; ASTM A 106
Steel tubing	ASTM A 254; ASTM A 539

**1302.7 Pumps.** Pumps that are not part of an *appliance* shall be of a positive-displacement type. The pump shall automatically shut off the supply when not in operation. Pumps shall be *listed* and *labeled* in accordance with UL 343.

**1302.8 Flexible connectors and hoses.** Flexible connectors and hoses shall be *listed* and *labeled* in accordance with UL 536.

### SECTION 1303 JOINTS AND CONNECTIONS

**1303.1 Approval.** Joints and connections shall be *approved* and of a type *approved* for fuel-oil piping systems. All threaded joints and connections shall be made tight with suitable lubricant or pipe compound. Unions requiring gaskets or packings, right or left couplings, and sweat fittings employing solder having a melting point of less than 1,000°F (538°C) shall not be used in oil lines. Cast-iron fittings shall not be used. Joints and connections shall be tight for the pressure required by test.

**1303.1.1 Joints between different piping materials.** Joints between different piping materials shall be made with *approved* adapter fittings. Joints between different metallic piping materials shall be made with *approved* dielectric fittings or brass converter fittings.

**1303.2 Preparation of pipe ends.** All pipe shall be cut square, reamed and chamfered and be free of all burrs and obstructions. Pipe ends shall have full-bore openings and shall not be undercut.

**1303.3 Joint preparation and installation.** Where required by Sections 1303.4 through 1303.10, the preparation and

installation of brazed, mechanical, threaded and welded joints shall comply with Sections 1303.3.1 through 1303.3.4.

**1303.3.1 Brazed joints.** All joint surfaces shall be cleaned. An *approved* flux shall be applied where required. The joints shall be brazed with a filler metal conforming to AWS A5.8.

**1303.3.2 Mechanical joints.** Mechanical joints shall be installed in accordance with the manufacturer's instructions.

**1303.3.3 Threaded joints.** Threads shall conform to ASME B1.20.1. Pipe-joint compound or tape shall be applied on the male threads only.

**1303.3.4 Welded joints.** All joint surfaces shall be cleaned by an *approved* procedure. The joint shall be welded with an *approved* filler metal.

**1303.4 Brass pipe.** Joints between brass pipe or fittings shall be brazed, mechanical, threaded or welded joints complying with Section 1303.3.

**1303.5 Brass tubing.** Joints between brass tubing or fittings shall be brazed or mechanical joints complying with Section 1303.3.

**1303.6 Copper or copper-alloy pipe.** Joints between copper or copper-alloy pipe or fittings shall be brazed, mechanical, threaded or welded joints complying with Section 1303.3.

**1303.7 Copper or copper-alloy tubing.** Joints between copper or copper-alloy tubing or fittings shall be brazed or mechanical joints complying with Section 1303.3 or flared joints. Flared joints shall be made by a tool designed for that operation.

**1303.8 Nonmetallic pipe.** Joints between nonmetallic pipe or fittings shall be installed in accordance with the manufacturer's instructions for the *labeled* pipe and fittings.

**1303.9 Steel pipe.** Joints between steel pipe or fittings shall be threaded or welded joints complying with Section 1303.3 or mechanical joints complying with Section 1303.9.1.

**1303.9.1 Mechanical joints.** Joints shall be made with an *approved* elastomeric seal. Mechanical joints shall be installed in accordance with the manufacturer's instructions. Mechanical joints shall be installed outside, underground, unless otherwise *approved*.

**1303.10 Steel tubing.** Joints between steel tubing or fittings shall be mechanical or welded joints complying with Section 1303.3.

**1303.11 Piping protection.** Proper allowance shall be made for expansion, contraction, jarring and vibration. Piping other than tubing, connected to underground tanks, except straight fill lines and test wells, shall be provided with flexible connectors, or otherwise arranged to permit the tanks to settle without impairing the tightness of the piping connections.

## SECTION 1304 PIPING SUPPORT

**1304.1 General.** Pipe supports shall be in accordance with Section 305.

## SECTION 1305 FUEL OIL SYSTEM INSTALLATION

**1305.1 Size.** The fuel oil system shall be sized for the maximum capacity of fuel oil required. The minimum size of a supply line shall be  $\frac{3}{8}$ -inch (9.5 mm) inside diameter nominal pipe or  $\frac{3}{8}$ -inch (9.5 mm) od tubing. The minimum size of a return line shall be  $\frac{1}{4}$ -inch (6.4 mm) inside diameter nominal pipe or  $\frac{5}{16}$ -inch (7.9 mm) outside diameter tubing. Copper tubing shall have 0.035-inch (0.9 mm) nominal and 0.032-inch (0.8 mm) minimum wall thickness.

**1305.2 Protection of pipe, equipment and appliances.** All fuel oil pipe, *equipment* and appliances shall be protected from physical damage.

**1305.2.1 Flood hazard.** All fuel oil pipe, *equipment* and appliances located in flood hazard areas shall be located above the *design flood elevation* or shall be capable of resisting hydrostatic and hydrodynamic loads and stresses, including the effects of buoyancy, during the occurrence of flooding to the *design flood elevation*.

**1305.3 Supply piping.** Supply piping shall connect to the top of the fuel oil tank. Fuel oil shall be supplied by a transfer pump or automatic pump or by other *approved* means.

**Exception:** This section shall not apply to inside or above-ground fuel oil tanks.

**1305.4 Return piping.** Return piping shall connect to the top of the fuel oil tank. Valves shall not be installed on return piping.

**1305.5 System pressure.** The system shall be designed for the maximum pressure required by the fuel-oil-burning *appliance*. Air or other gases shall not be used to pressurize tanks.

**1305.6 Fill piping.** A fill pipe shall terminate outside of a building at a point at least 2 feet (610 mm) from any building opening at the same or lower level. A fill pipe shall terminate in a manner designed to minimize spilling when the filling hose is disconnected. Fill opening shall be equipped with a tight metal cover designed to discourage tampering.

**1305.7 Vent piping.** Liquid fuel vent pipes shall terminate outside of buildings at a point not less than 2 feet (610 mm) measured vertically or horizontally from any building opening. Outer ends of vent pipes shall terminate in a weatherproof vent cap or fitting or be provided with a weatherproof hood. All vent caps shall have a minimum free open area equal to the cross-sectional area of the vent pipe and shall not employ screens finer than No. 4 mesh. Vent pipes shall terminate sufficiently above the ground to avoid being obstructed with snow or ice. Vent pipes from tanks containing heaters shall be extended to a location where oil vapors discharging from the vent will be readily diffused. If the static head with a vent pipe filled with oil exceeds 10 pounds per square inch (psi) (69 kPa), the tank shall be designed for the maximum static head that will be imposed.

Liquid fuel vent pipes shall not be cross connected with fill pipes, lines from burners or overflow lines from auxiliary tanks.



## SECTION 1306 OIL GAUGING

**1306.1 Level indication.** All tanks in which a constant oil level is not maintained by an automatic pump shall be equipped with a method of determining the oil level.

**1306.2 Test wells.** Test wells shall not be installed inside buildings. For outside service, test wells shall be equipped with a tight metal cover designed to discourage tampering.

**1306.3 Inside tanks.** The gauging of inside tanks by means of measuring sticks shall not be permitted. An inside tank provided with fill and vent pipes shall be provided with a device to indicate either visually or audibly at the fill point when the oil in the tank has reached a predetermined safe level.

**1306.4 Gauging devices.** Gauging devices such as liquid level indicators or signals shall be designed and installed so that oil vapor will not be discharged into a building from the liquid fuel supply system.

**1306.5 Gauge glass.** A tank used in connection with any oil burner shall not be equipped with a glass gauge or any gauge which, when broken, will permit the escape of oil from the tank.

## SECTION 1307 FUEL OIL VALVES

**1307.1 Building shutoff.** A shutoff valve shall be installed on the fuel-oil supply line at the entrance to the building. Inside or above-ground tanks are permitted to have valves installed at the tank. The valve shall be capable of stopping the flow of fuel oil to the building or to the *appliance* served where the valve is installed at a tank inside the building.

**1307.2 Appliance shutoff.** A shutoff valve shall be installed at the connection to each *appliance* where more than one fuel-oil-burning *appliance* is installed.

**1307.3 Pump relief valve.** A relief valve shall be installed on the pump discharge line where a valve is located downstream of the pump and the pump is capable of exceeding the pressure limitations of the fuel oil system.

**1307.4 Fuel-oil heater relief valve.** A relief valve shall be installed on the discharge line of fuel-oil-heating appliances.

**1307.5 Relief valve operation.** The relief valve shall discharge fuel oil when the pressure exceeds the limitations of the system. The discharge line shall connect to the fuel oil tank.

## SECTION 1308 TESTING

**1308.1 Testing required.** Fuel oil piping shall be tested in accordance with NFPA 31.



## CHAPTER 14

# SOLAR SYSTEMS

### SECTION 1401 GENERAL

**1401.1 Scope.** This chapter shall govern the design, construction, installation, *alteration* and repair of systems, *equipment* and appliances intended to utilize solar energy for space heating or cooling, domestic hot water heating, swimming pool heating or process heating. Photovoltaic solar systems that generate electricity shall be installed in accordance with International Building Code and Article 690 of the Seattle Electrical Code. Systems interconnected to the electric grid shall comply with additional requirements of Seattle City Light.

**Note:** See the *Seattle Boiler and Pressure Vessel Code* for regulations applicable to boilers and pressure vessels, and the *Uniform Plumbing Code* for regulations applicable to water heaters.

**1401.2 Potable water supply.** Potable water supplies to solar systems shall be protected against contamination in accordance with the ((*International*)) *Uniform Plumbing Code*.

**Exception:** Where all solar system piping is a part of the potable water distribution system, in accordance with the requirements of the ((*International*)) *Uniform Plumbing Code*, and all components of the piping system are *listed* for potable water use, cross-connection protection measures shall not be required.

**1401.3 Heat exchangers.** Heat exchangers used in domestic water-heating systems shall be *approved* for the intended use. The system shall have adequate protection to ensure that the potability of the water supply and distribution system is properly safeguarded.

**1401.4 Solar energy equipment and appliances.** Solar energy *equipment* and appliances shall conform to the requirements of this chapter and shall be installed in accordance with the manufacturer's installation instructions.

**1401.5 Ducts.** Ducts utilized in solar heating and cooling systems shall be constructed and installed in accordance with Chapter 6 of this code.

### SECTION 1402 INSTALLATION

**1402.1 Access.** Access shall be provided to solar energy *equipment* and appliances for maintenance. Solar systems and appurtenances shall not obstruct or interfere with the operation of any doors, windows or other building components requiring operation or access.

**1402.2 Protection of equipment.** Solar *equipment* exposed to vehicular traffic shall be installed not less than 6 feet (1829 mm) above the finished floor.

**Exception:** This section shall not apply where the *equipment* is protected from motor vehicle impact.

**1402.3 Controlling condensation.** Where attics or structural spaces are part of a passive solar system, ventilation of such spaces, as required by Section 406, is not required where other *approved* means of controlling condensation are provided.

**1402.4 Roof-mounted collectors.** Roof-mounted solar collectors that also serve as a roof covering shall conform to the requirements for roof coverings in accordance with the *International Building Code*.

**Exception:** The use of plastic solar collector covers shall be limited to those *approved* plastics meeting the requirements for plastic roof panels in the *International Building Code*.

**1402.4.1 Collectors mounted above the roof.** When mounted on or above the roof covering, the collector array and supporting construction shall be constructed of noncombustible materials or fire-retardant-treated wood conforming to the *International Building Code* to the extent required for the type of roof construction of the building to which the collectors are accessory.

**Exception:** The use of plastic solar collector covers shall be limited to those *approved* plastics meeting the requirements for plastic roof panels in the *International Building Code*.

**1402.5 Equipment.** The solar energy system shall be equipped in accordance with the requirements of Sections 1402.5.1 through 1402.5.4.

**1402.5.1 Pressure and temperature.** Solar energy system components containing pressurized fluids shall be protected against pressures and temperatures exceeding design limitations with a pressure and temperature relief valve. Each section of the system in which excessive pressures are capable of developing shall have a relief device located so that a section cannot be valved off or otherwise isolated from a relief device. Relief valves shall comply with the requirements of Section 1006.4 and discharge in accordance with Section 1006.6.

**1402.5.2 Vacuum.** The solar energy system components that are subjected to a vacuum while in operation or during shutdown shall be designed to withstand such vacuum or shall be protected with vacuum relief valves.

**1402.5.3 Protection from freezing.** System components shall be protected from damage by freezing of heat transfer liquids at the lowest ambient temperatures that will be encountered during the operation of the system.

## SOLAR SYSTEMS

**1402.5.4 Expansion tanks.** Liquid single-phase solar energy systems shall be equipped with expansion tanks sized in accordance with Section 1009.

**1402.6 Penetrations.** Roof and wall penetrations shall be flashed and sealed to prevent entry of water, rodents and insects.

**1402.7 Filtering.** Air transported to occupied spaces through rock or dust-producing materials by means other than natural convection shall be filtered at the outlet from the heat storage system.

### SECTION 1403 HEAT TRANSFER FLUIDS

**1403.1 Flash point.** The flash point of the actual heat transfer fluid utilized in a solar system shall be not less than 50°F (28°C) above the design maximum nonoperating (no-flow) temperature of the fluid attained in the collector.

**1403.2 Flammable gases and liquids.** A flammable liquid or gas shall not be utilized as a heat transfer fluid. The flash point of liquids used in occupancies classified in Group H or F shall not be lower unless *approved*.

### SECTION 1404 MATERIALS

**1404.1 Collectors.** Factory-built collectors shall be *listed* and *labeled*, and bear a label showing the manufacturer's name and address, model number, collector dry weight, collector maximum allowable operating and nonoperating temperatures and pressures, minimum allowable temperatures and the types of heat transfer fluids that are compatible with the collector. The label shall clarify that these specifications apply only to the collector.

**1404.2 Thermal storage units.** Pressurized thermal storage units shall be *listed* and *labeled*, and bear a label showing the manufacturer's name and address, model number, serial number, storage unit maximum and minimum allowable operating temperatures, storage unit maximum and minimum allowable operating pressures and the types of heat transfer fluids compatible with the storage unit. The label shall clarify that these specifications apply only to the thermal storage unit.



## CHAPTER 15

# REFERENCED STANDARDS

This chapter lists the standards that are referenced in various sections of this document. The standards are listed herein by the promulgating agency of the standard, the standard identification, the effective date and title, and the section or sections of this document that reference the standard. The application of the referenced standards shall be as specified in Section 102.8.

<b>ACCA</b>	Air Conditioning Contractors of America 2800 Shirlington Road, Suite 300 Arlington, VA 22206	Referenced in code section number
Standard Reference Number	Title	
Manual D—95	Residential Duct Systems . . . . .	.603.2
183—2007	Peak Cooling and Heating Load Calculations in Buildings Except Low-Rise Residential Buildings . . . . .	.312.1

<b>AHRI</b>	Air-Conditioning, Heating and Refrigeration Institute 4100 North Fairfax Drive, Suite 200 Arlington, VA 22203	Referenced in code section number
Standard Reference Number	Title	
700—99	Purity Specifications for Fluorocarbon and Other Refrigerants . . . . .	1102.2.2.3

<b>ANSI</b>	American National Standards Institute 11 West 42nd Street New York, NY 10036	Referenced in code section number
Standard Reference Number	Title	
Z21.8—1994 (R2002)	Installation of Domestic Gas Conversion Burners . . . . .	.919.1

<b>ASHRAE</b>	American Society of Heating, Refrigerating and Air-Conditioning Engineers, Inc. 1791 Tullie Circle, NE Atlanta, GA 30329	Referenced in code section number
Standard Reference Number	Title	
ASHRAE—2005	ASHRAE Fundamentals Handbook—2005 . . . . .	.603.2
15—2004	Safety Standard for Refrigeration Systems . . . . .	1101.6, 1105.8, 1108.1
34—2004	Designation and Safety Classification of Refrigerants . . . . .	.202, 1102.2.1, 1103.1
62.1—2004	Ventilation for Acceptable Indoor Air Quality . . . . .	.403.3.2.3.2

<b>ASME</b>	American Society of Mechanical Engineers Three Park Avenue New York, NY 10016-5990	Referenced in code section number
Standard Reference Number	Title	
B1.20.1—1983 (R2006)	Pipe Threads, General Purpose (Inch) . . . . .	1203.3.5, 1303.3.3
B16.3—2006	Malleable Iron Threaded Fittings, Classes 150 & 300 . . . . .	Table 1202.5
B16.5—2003	Pipe Flanges and Flanged Fittings NPS 1/2 through NPS 24— . . . . .	Table 1202.5
B16.9—2003	Factory Made Wrought Steel Butt-welding Fittings . . . . .	Table 1202.5
B16.11—2005	Forged Fittings, Socket-welding and Threaded . . . . .	Table 1202.5
B16.15—2006	Cast Bronze Threaded Fittings . . . . .	Table 1202.5

**REFERENCED STANDARDS**

**ASME—continued**

B16.18—2001 (Reaffirmed 2005)	Cast Copper Alloy Solder Joint Pressure Fittings . . . . .	.513.13.1, Table 1202.5
B16.22—2001 (Reaffirmed 2005)	Wrought Copper and Copper Alloy Solder Joint Pressure Fittings . . . . .	.513.13.1, Table 1202.5
B16.23—2002 (Reaffirmed 2006)	Cast Copper Alloy Solder Joint Drainage Fittings DWV . . . . .	Table 1202.5
B16.24—2001	Cast Copper Alloy Pipe Flanges and Flanged Fittings: Class 150, 300, 400, 600, 900, 1500 and 2500 . . . . .	Table 1202.5
B16.26—2006	Cast Copper Alloy Fittings for Flared Copper Tubes . . . . .	Table 1202.5
B16.28—1994	Wrought Steel Butt welding Short Radius Elbows and Returns . . . . .	Table 1202.5
B16.29—2001	Wrought Copper and Wrought Copper Alloy Solder Joint Drainage Fittings-DWV . . . . .	Table 1202.5
B31.9—04	Building Services Piping . . . . .	.1201.3
BPVC—2004	Boiler & Pressure Vessel Code . . . . .	1004.1, 1011.1
CSD-1—2004	Controls and Safety Devices for Automatically Fired Boilers . . . . .	1004.1

**ASSE**

American Society of Sanitary Engineering  
901 Canterbury, Suite A  
Westlake, OH 44145

Standard Reference Number	Title	Referenced in code section number
1017—03	Performance Requirements for Temperature Actuated Mixing Valves for Hot Water Distribution Systems . . . . .	.1002.2.2

**ASTM**

ASTM International  
100 Barr Harbor Drive  
West Conshohocken, PA 19428

Standard Reference Number	Title	Referenced in code section number
A 53/A 53M—06a	Specification for Pipe, Steel, Black and Hot-dipped, Zinc-coated Welded and Seamless . . . . .	Table 1202.4, Table 1302.3
A 106/A106M—06a	Specification for Seamless Carbon Steel Pipe for High-Temperature Service . . . . .	Table 1202.4, Table 1302.3
A 126—04	Specification for Gray Iron Castings for Valves, Flanges and Pipe Fittings . . . . .	Table 1202.5
A 254—97 (2002)	Specification for Copper Brazed Steel Tubing . . . . .	Table 1202.4, Table 1302.3
A 420/A 420M—07	Specification for Piping Fittings of Wrought Carbon Steel and Alloy Steel for Low-Temperature Service . . . . .	Table 1202.5
A 539—99	Specification for Electric-Resistance-Welded Coiled Steel Tubing for Gas and Fuel Oil Lines . . . . .	Table 1302.3
B 32—04	Specification for Solder Metal . . . . .	.1203.3.3
B 42—02e01	Specification for Seamless Copper Pipe, Standard Sizes . . . . .	.513.13.1, 1107.5.2, Table 1202.4, Table 1302.3
B 43—98(2004)	Specification for Seamless Red Brass Pipe, Standard Sizes . . . . .	.513.13.1, 1107.5.2, Table 1202.4, Table 1302.3
B 68—02	Specification for Seamless Copper Tube, Bright Annealed . . . . .	.513.13.1
B 75—02	Specification for Seamless Copper Tube . . . . .	Table 1202.4, Table 1302.3
B 88—03	Specification for Seamless Copper Water Tube . . . . .	.513.13.1, 1107.5.3, Table 1202.4, Table 1302.3
B 135—02	Specification for Seamless Brass Tube . . . . .	Table 1202.4, Table 1302.3
B 251—02e01	Specification for General Requirements for Wrought Seamless Copper and Copper-alloy Tube . . . . .	.513.13.1, Table 1202.4
B 280—03	Specification for Seamless Copper Tube for Air Conditioning and Refrigeration Field Service . . . . .	.513.13.1, 1107.4.3, Table 1302.3
B 302—02	Specification for Threadless Copper Pipe, Standard Sizes . . . . .	Table 1202.4, Table 1302.3
B 813—00e01	Specification for Liquid and Paste Fluxes for Soldering of Copper and Copper Alloy Tube . . . . .	.1203.3.3
C 315—07	Specification for Clay Flue Liners and Chimney Pots . . . . .	.801.16.1, Table 803.10.4
C 411—05	Test Method for Hot-surface Performance of High-temperature Thermal Insulation . . . . .	.604.3
D 56—05	Test Method for Flash Point by Tag Closed Tester . . . . .	.202
D 93—07	Test Method for Flash Point of Pensky-Martens Closed Cup Tester . . . . .	.202
D 1527—99(2005)	Specification for Acrylonitrile-Butadiene-Styrene (ABS) Plastic Pipe, Schedules 40 and 80 . . . . .	Table 1202.4
D 1693—07	Test Method for Environmental Stress-Cracking of Ethylene Plastics . . . . .	Table 1202.4
D 1785—06	Specification for Poly (Vinyl Chloride)(PVC) Plastic Pipe, Schedules 40, 80 and 120 . . . . .	Table 1202.4
D 2235—04	Specifications for Solvent Cement for Acrylonitrile-Butadiene-Styrene (ABS) Plastic Pipe and Fittings . . . . .	.1203.3.4
D 2241—05	Specification for Poly (Vinyl Chloride)(PVC) Pressure-rated Pipe (SDR-Series) . . . . .	Table 1202.4
D 2282—99(2005)	Specification for Acrylonitrile-Butadiene-Styrene (ABS) Plastic Pipe (SDR-PR) . . . . .	Table 1202.4
D 2412—02	Test Method for Determination of External Loading Characteristics of Plastic Pipe by Parallel-plate Loading . . . . .	.603.8.3
D 2447—03	Specification for Polyethylene (PE) Plastic Pipe, Schedules 40 and 80, Based on Outside Diameter . . . . .	Table 1202.4

ASTM—continued

D 2466—06	Specification for Poly (Vinyl Chloride)(PVC) Plastic Pipe Fittings, Schedule 40 . . . . .	Table 1202.5
D 2467—06	Specification for Poly (Vinyl Chloride)(PVC) Plastic Pipe Fittings, Schedule 80 . . . . .	Table 1202.5
D 2468—96a	Specification for Acrylonitrile-Butadiene-Styrene (ABS) Plastic Pipe Fittings, Schedule 40 . . . . .	Table 1202.5
D 2513—07a	Specification for Thermoplastic Gas Pressure Pipe, Tubing, and Fittings . . . . .	Table 1202.4
D 2564—04e01	Specification for Solvent Cements for Poly (Vinyl Chloride) (PVC) Plastic Piping Systems . . . . .	1203.3.4
D 2657—07	Standard Practice for Heat Fusion Joining of Polyolefin Pipe and Fittings. . . . .	1203.15.1
D 2683—04	Specification for Socket-type Polyethylene Fittings for Outside Diameter-controlled Polyethylene Pipe and Tubing . . . . .	Table 1202.4, 1203.15.1
D 2837—04e01	Test Method for Obtaining Hydrostatic Design Basis for Thermoplastic Pipe Materials or Pressure Design Basis for Thermoplastic Pipe Products . . . . .	Table 1202.4
D 2846/D 2846M—06	Specification for Chlorinated Poly (Vinyl Chloride) (CPVC) Plastic Hot and Cold Water Distribution Systems . . . . .	Table 1202.4, 1203.3.4
D 2996—01(2007)e01	Specification for Filament-wound Fiberglass (Glass Fiber Reinforced Thermosetting Resin) Pipe . . . . .	Table 1302.3
D 3035—06	Specification for Polyethylene (PE) Plastic Pipe (DR-PR) Based on Controlled Outside Diameter . . . . .	Table 1202.4
D 3278—96(2004)e01	Test Methods for Flash Point of Liquids by Small Scale Closed-cup Apparatus . . . . .	202
D 3261—03	Standard Specification for Butt Heat Fusion Polyethylene (PE) Plastic Fittings for Polyethylene (PE) Plastic Pipe and Tubing . . . . .	1203.15.1
D 3309—96a(2002)	Specification for Polybutylene (PB) Plastic Hot and Cold Water Distribution Systems . . . . .	Table 1202.4, 1203.10.1
D 3350—06	Specification for Polyethylene Plastics Pipe and Fittings Materials. . . . .	Table 1202.4
E 84—07	Test Method for Surface Burning Characteristics of Building Materials . . . . .	202, 510.8, 602.2.1, 602.2.1.5, 604.3, 1204.1
E 119—07	Test Method for Fire Tests of Building Construction and Materials . . . . .	607.5.2, 607.5.5, 607.6.1, 607.2.1
E 136—04	Test Method for Behavior of Materials in a Vertical Tube Furnace at 750 Degrees C . . . . .	202
E 814—06	Test Method for Fire Tests of Through-penetration Fire Stops . . . . .	506.3.10.2, 506.3.10.3
E 1509—04	Specification for Room Heaters, Pellet Fuel-burning Type . . . . .	.904.1
E 2231—04	Standard Practice For Specimen Preparation and Mounting of Pipe and Duct Insulation Materials to Assess Surface Burning Characteristics. . . . .	604.3, 1204.1
E 2336-04	Standard Test Methods for Fire Resistive Grease Duct Enclosure Systems. . . . .	506.3.6, 506.3.10.2
F 438—04	Specification for Socket Type Chlorinated Poly (Vinyl Chloride) (CPVC) Plastic Pipe Fittings, Schedule 40 . . . . .	Table 1202.5
F 439—06	Specification for Socket Type Chlorinated Poly (Vinyl Chloride) (CPVC) Plastic Pipe Fittings, Schedule 80 . . . . .	Table 1202.5
F 441/F 441M—02	Specification for Chlorinated Poly (Vinyl Chloride) (CPVC) Plastic Pipe, Schedules 40 and 80 . . . . .	Table 1202.4
F 442/F 442M—99(2005)	Specification for Chlorinated Poly (Vinyl Chloride) (CPVC) Plastic Pipe (SDR-PR). . . . .	Table 1202.4
F 493—04	Specification for Solvent Cements for Chlorinated Poly (Vinyl Chloride) (CPVC) Plastic Pipe and Fittings . . . . .	1203.3.4
F 876—06	Specification for Crosslinked Polyethylene (PEX) Tubing. . . . .	Table 1202.4
F 877—07	Specification for Crosslinked Polyethylene (PEX) Plastic Hot and Cold Water Distribution Systems . . . . .	Table 1202.4, Table 1202.5
F 1055—98(2006)	Specification for Electrofusion Type Polyethylene Fittings for Outside Diameter Controlled Polyethylene Pipe and Fittings . . . . .	Table 1202.4, 1203.15.2
F 1281—07	Specification for Crosslinked Polyethylene/Aluminum/Crosslinked Polyethylene (PEX-AL-PEX) Pressure Pipe . . . . .	Table 1202.4
F 1282—06	Standard Specification for Polyethylene/Aluminum/Polyethylene (PE-AL-PE) Composite Pressure Pipe . . . . .	Table 1202.4
F 1476—(2006)	Specification for Performance of Gasketed Mechanical Couplings for Use in Piping Applications . . . . .	1203.3.7
F 1924—05	Standard Specification for Plastic Mechanical Fittings for Use on Outside Diameter Controlled Polyethylene Gas Distribution Pipe and Tubing . . . . .	1203.15.3
F 1974—04	Standard Specification for Metal Insert Fittings for Polyethylene/Aluminum/Polyethylene and Crosslinked Polyethylene/Aluminum/Crosslinked Polyethylene Composite Pressure Pipe . . . . .	Table 1202.5
F 2389—06	Specification for Pressure-Rated Polypropylene Piping Systems . . . . .	Table 1202.4, Table 1202.5
F 2623—07	Standard Specification for Polyethylene of Raised Temperature (PE-RT) SDR 9 Tubing I . . . . .	Table 1202.4

American Welding Society  
 550 N.W. LeJeune Road  
 P.O. Box 351040  
 Miami, FL 33135



Standard Reference Number	Title	Referenced in code section number
A5.8—2004	Specifications for Filler Metals for Brazing and Braze Welding. . . . .	1203.3.1, 1303.3.1

**REFERENCED STANDARDS**

<b>AWWA</b>		American Water Work Association 6666 West Quincy Avenue Denver, CO 80235
Standard Reference Number	Title	Referenced in code section number
C110/A21.10—03	Standard for Ductile Iron & Gray Iron Fittings, 2 inches Through 48 inches for Water . . . . .	Table 1202.5
C115/A21.15—99	Standard for Flanged Ductile-iron Pipe with Ductile Iron or Grey-iron Threaded Flanges. . . . .	Table 1202.4
C151/A21.51—02	Standard for Ductile-Iron Pipe, Centrifugally Cast for Water . . . . .	Table 1202.4
C153/A21.53—00	Standard for Ductile-Iron Compact Fittings for Water Service . . . . .	Table 1202.5

<b>CSA</b>		Canadian Standards Association 5060 Spectrum Way Mississauga, Ontario, Canada L4W 5N6
Standard Reference Number	Title	Referenced in code section number
B137.9-M91 CAN/CSA	Polyethylene/Aluminum/Polyethylene (PE-AL-PE) Composite Pressure-Pipe Systems. . . . .	Table 1202.4
B137.10—02	Cross-linked Polyethylene/Aluminum/Cross-linked Polyethylene Composite Pressure-Pipe Systems. . . . .	Table 1202.4
ANSI CSA America FC1-03	Stationary Fuel Cell Power Systems. . . . .	.924.1

<b>DOL</b>		Department of Labor Occupational Safety and Health Administration c/o Superintendent of Documents US Government Printing Office Washington, DC 20402-9325
Standard Reference Number	Title	Referenced in code section number
29 CFR Part 1910.1000 (1974)	Air Contaminants . . . . .	.502.6
29 CFR Part 1910. 1025	Toxic and Hazardous Substances . . . . .	.502.19

<b>FS</b>		Federal Specifications* General Services Administration 7th & D Streets Specification Section, Room 6039 Washington, DC 20407
Standard Reference Number	Title	Referenced in code section number
WW-P-325B (1976)	Pipe, Bends, Traps, Caps and Plugs; Lead (for Industrial Pressure and Soil and Waste Applications. . . . .	Table 1202.4
*Standards are available from the Supt. of Documents, U.S. Government Printing Office, Washington, DC 20402-9325.		

<b>ICC</b>		International Code Council, Inc. 500 New Jersey Ave, NW 6th Floor Washington, DC 20001
Standard Reference Number	Title	Referenced in code section number
IBC—09	International Building Code® . . . . .	.201.3, 202, 301.12, 301.12, 301.14, 301.15, 302.1, 302.2, 304.7, 304.10, 308.8, 308.10, 401.4, 401.6, 406.1, 502.10, 502.10.1, 504.2, 506.3.3, 506.3.10, 506.3.12.2, 506.4.1, 509.1, 510.6, 510.6.3, 510.6.2, 510.7, 511.1.5, 513.1, 513.2, 513.3, 513.4.3, 513.5, 513.5.2, 513.5.2.1, 513.6.2, 513.10.5, 513.12, 513.12.2, 513.20, 602.2.1.5.1, 602.2.1.5.2, 602.3, 603.1, 603.10, 604.5.4, 607.1.1, 607.3.2.1, 607.5.1, 607.5.2, 607.5.3, 607.5.4, 607.5.4.1, 607.5.5, 607.5.5.1, 607.6, 607.6.2, 701.4.1, 701.4.2, 801.3, 801.16.1, 801.18.4, 902.1, 908.3, 908.4, 910.3, 925.1, 1004.6, 1105.1, 1206.4, 1402.4, 1402.4.1
IEBC—09	International Existing Building Code® . . . . .	.101.2
IECC—09	International Energy Conservation Code® . . . . .	.202, 301.2, 303.3, 312.1, 603.9, 604.1, 1204.1, 1204.2



ICC—continued

IFC—09	International Fire Code®	201.3, 310.1, 311.1, 502.4, 502.5, 502.7.2, 502.8.1, 502.9.5, 502.9.5.2, 502.9.5.3, 502.9.8.2, 502.9.8.3, 502.9.8.5, 502.9.8.6, 502.10, 502.10.3, 502.16.2, 509.1, 510.2.1, 510.2.2, 510.4, 511.1.1, 513.12.3, 513.15, 513.16, 513.17, 513.18, 513.19, 513.20.2, 513.20.3, 606.2.1, 908.7, 1101.9, 1105.3, 1105.9, 1106.5, 1106.6, 1301.1, 1301.2
IFGC—09	International Fuel Gas Code®	101.2, 201.3, 301.3, 701.1, 801.1, 901.1, 906.1, 1101.5
IPC—09	International Plumbing Code®	201.3, 301.8, 512.2, 908.5, 1002.1, 1002.2, 1002.3, 1005.2, 1006.6, 1008.2, 1009.3, 1101.4, 1201.1, 1206.2, 1206.3, 1401.2
IRC—09	International Residential Code®	101.2

**IIAR**

International Institute of Ammonia Refrigeration  
1110 North Glebe Road  
Arlington, VA 22201

Standard Reference Number	Title	Referenced in code section number
2—99 (with Addendum A-2005)	Addendum A to Equipment, Design, and Installation of Ammonia Mechanical Refrigerating Systems	1101.6

**MSS**

Manufacturers Standardization Society of the Valve & Fittings Industry, Inc.  
127 Park Street, N.E.  
Vienna, VA 22180

Standard Reference Number	Title	Referenced in code section number
SP-69—2002	Pipe Hangers and Supports—Selection and Application	305.4

**NAIMA**

North American Insulation Manufacturers Association  
44 Canal Center Plaza, Suite 310  
Alexandria, VA 22314

Standard Reference Number	Title	Referenced in code section number
AH116—02	Fibrous Glass Duct Construction Standards	603.5, 603.9

**NFPA**

National Fire Protection Association  
1 Batterymarch Park  
Quincy, MA 02169-7471

Standard Reference Number	Title	Referenced in code section number
30A—08	Code for Motor Fuel-dispensing Facilities and Repair Garages	304.6
31—06	Installation of Oil-burning Equipment	801.2.1, 801.18.1, 801.18.2, 920.2, 922.1, 1308.1
37—06	Stationary Combustion Engines and Gas Turbines	915.1, 915.2
58—08	Liquefied Petroleum Gas Code	502.9.10
69—08	Explosion Prevention Systems	510.8.3
70—08	National Electrical Code	301.7, 306.3.1, 306.4.1, 511.1.1, 513.11, 513.12.1, 602.2.1.1, 1106.3, 1106.4
72—07	National Fire Alarm Code	606.3
82—04	Incinerators and Waste and Linen Handling Systems and Equipment	601.1
91—04	Exhaust Systems for Air Conveying of Vapors, Gases, and Noncombustible Particulate Solids	502.9.5.1, 502.17
92B—05	Smoke Management Systems in Malls, Atria and Large Spaces	513.8
211—06	Chimneys, Fireplaces, Vents and Solid Fuel-burning Appliances	806.1
262—07	Standard Method of Test for Flame Travel and Smoke of Wires and Cables for Use in Air-handling Spaces	602.2.1.1
704—07	Identification of the Hazards of Materials for Emergency Response	502.8.4, Table 1103.1, 510.1
853—07	Installation of Stationary Fuel Power Plants	924.1
8501—97	Single Burner Boiler Operation	1004.1
8502—99	Prevention of Furnace Explosions/Implosions in Multiple Burner Boiler-furnaces	1004.1
8504—96	Atmospheric Fluidized-bed Boiler Operation	1004.1

**REFERENCED STANDARDS**



Sheet Metal & Air Conditioning Contractors National Assoc., Inc.  
4201 Lafayette Center Drive  
Chantilly, VA 20151-1209

Standard Reference Number	Title	Referenced in code section number
SMACNA/ANSI—2005	HVAC Duct Construction Standards—Metal and Flexible (2005) . . . . .	603.4, 603.9
SMACNA—03	Fibrous Glass Duct Construction Standards . . . . .	603.5, 603.9



Underwriters Laboratories, Inc.  
333 Pfingsten Road  
Northbrook, IL 60062-2096

Standard Reference Number	Title	Referenced in code section number
17—94	Vent or Chimney Connector Dampers for Oil-fired Appliances—with Revisions through September 1999 . . . . .	803.6
103—01	Factory-built Chimneys, Residential Type and Building Heating Appliance—with Revisions through June 2006 . . . . .	805.2
127—96	Factory-built Fireplaces—with Revisions through November 2006 . . . . .	805.3, 903.1, 903.3
174—04	Household Electric Storage Tank Water Heaters—with Revisions through May 2006 . . . . .	1002.1
181—05	Factory-made Air Ducts and Air Connectors—with Revisions through December 1998 . . . . .	512.2, 603.5, 603.6.1, 603.6.2, 604.13
181A—05	Closure Systems for Use with Rigid Air Ducts and Air Connectors—with Revisions through December 1998 . . . . .	603.9
181B—05	Closure Systems for Use with Flexible Air Ducts and Air Connectors—with Revisions through December 1998 . . . . .	603.9
207—01	Refrigerant-containing Components and Accessories, Nonelectrical—with Revisions through November 2004 . . . . .	1101.2
263—03	Standard for Fire Test of Building Construction and Materials. . . . .	607.5.2, 607.5.5, 607.6.1
268—06	Smoke Detectors for Fire Prevention Signaling Systems—with Revisions through October 2003. . . . .	606.1
268A—98	Smoke Detectors for Duct Applications—with Revisions through April 2006 . . . . .	606.1
343—97	Pumps for Oil-Burning Appliances—with Revisions through May 2006 . . . . .	1302.7
391—2006	Solid-fuel and Combination-fuel Central and Supplementary Furnaces . . . . .	918.1
412—04	Refrigeration Unit Coolers—with Revisions through February 2007 . . . . .	1101.2
471—06	Commercial Refrigerators and Freezers—with Revisions through March 2006 . . . . .	1101.2
508—99	Industrial Control Equipment—with Revisions through July 2005. . . . .	307.2.3
536—97	Flexible Metallic Hose—with Revisions through June 2003 . . . . .	1302.8
555—06	Fire Dampers—with Revisions through January 2002. . . . .	607.3
555C—06	Ceiling Dampers. . . . .	607.3.1
555S—99	Smoke Dampers—with Revisions through July 2006. . . . .	607.3.1
586—96	High-efficiency, Particulate, Air Filter Units—with Revisions through August 2004. . . . .	605.2
641—95	Type L Low-temperature Venting Systems—with Revisions through August 2005 . . . . .	802.1
710—95	Exhaust Hoods for Commercial Cooking Equipment—with Revisions through February 2007. . . . .	507.1
710B—04	Recirculating Systems. . . . .	507.1
723—03	Standard for Test for Surface Burning Characteristics of Building Materials—with Revisions through May 2005. . . . .	510.8, 602.2.1, 602.2.1.5, 604.3, 1204.1
726—95	Oil-fired Boiler Assemblies—with Revisions through March 2006 . . . . .	916.1, 1004.1
727—06	Oil-fired Central Furnaces. . . . .	918.1
729—03	Oil-fired Floor Furnaces—with Revisions through January 1999 . . . . .	910.1
730—03	Oil-fired Wall Furnaces—with Revisions through January 1999. . . . .	909.1
731—95	Oil-fired Unit Heaters—with Revisions through February 2006 . . . . .	920.1
732—95	Oil-fired Storage Tank Water Heaters—with Revisions through February 2005. . . . .	1002.1
737—96	Fireplace Stoves—with Revisions through January 2000. . . . .	905.1
762—03	Outline of Investigation for Power Ventilators for Restaurant Exhaust Appliances . . . . .	506.5.1
791—06	Residential Incinerators. . . . .	907.1
834—04	Heating, Water Supply and Power Boilers Electric—with Revisions through March 2006 . . . . .	1004.1
858—05	Household Electric Ranges—with Revisions through April 2006. . . . .	917.1
867—00	Electrostatic Air Cleaners—with Revisions through May 2004. . . . .	605.2
875—04	Electric Dry Bath Heater—with Revisions through March 2006. . . . .	914.2
896—93	Oil-burning Stoves—with Revisions through May 2004. . . . .	917.1, 922.1
900—04	Air Filter Units . . . . .	605.2
923—02	Microwave Cooking Appliances—with Revisions through February 2006. . . . .	914.2

UL—continued

959—01	Medium Heat Appliance Factory-built Chimneys—with Revisions through September 2006 . . . . .	805.5
1240—05	Electric Commercial Clothes . . . . .	913.1
1261—01	Electric Water Heaters for Pools and Tubs—with Revisions through June 2004. . . . .	916.1
1453—04	Electric Booster and Commercial Storage Tank Water Heaters—with Revisions through May 2006. . . . .	1002.1
1479—03	Fire Tests of Through-penetration Firestops—with Revisions through April 2007 . . . . .	506.3.10.2, 506.3.10.3
1482—96	Solid-fuel Type Room Heaters—with Revisions through November 2006 . . . . .	905.1
1777—04	Chimney Liners . . . . .	801.16.1, 801.18.4
1812—05	Standard for Ducted Heat Recovery Ventilators—with Revisions through January 2006. . . . .	927.1
1815—01	Standard for Nonducted Heat Recovery Ventilators—with Revisions through January 2006. . . . .	927.2
1820—04	Fire Test of Pneumatic Tubing for Flame and Smoke Characteristics . . . . .	602.2.1.3
1887—04	Fire Tests of Plastic Sprinkler Pipe for Visible Flame and Smoke Characteristics . . . . .	602.2.1.2
1978—95	Grease Ducts . . . . .	506.3.2
1995—05	Heating and Cooling Equipment . . . . .	911.1, 918.1, 918.3, 1101.2
2043—08	Fire Test for Heat and Visible Smoke Release for Discrete Products and their Accessories Installed in Air-handling Spaces . . . . .	602.2.1.4.2
2158—97	Electric Clothes Dryers—with Revisions through May 2004 . . . . .	504.6.3, 913.1
2158A—2006	Outline of Investigation for Clothes Dryer Transition Duct . . . . .	504.6.3
2162—01	Outline of Investigation for Commercial Wood-fired Baking Ovens—Refractory Type . . . . .	917.1
2200—04	Stationery Engine Generator Assemblies . . . . .	915.1
2221—01	Tests of Fire Resistive Grease Duct Enclosure Assemblies . . . . .	506.3.10.3



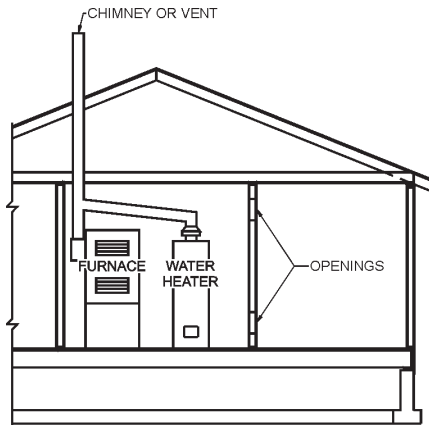


# APPENDIX A

## COMBUSTION AIR OPENINGS AND CHIMNEY CONNECTOR PASS-THROUGHS

(This appendix is informative and is not part of the code.)

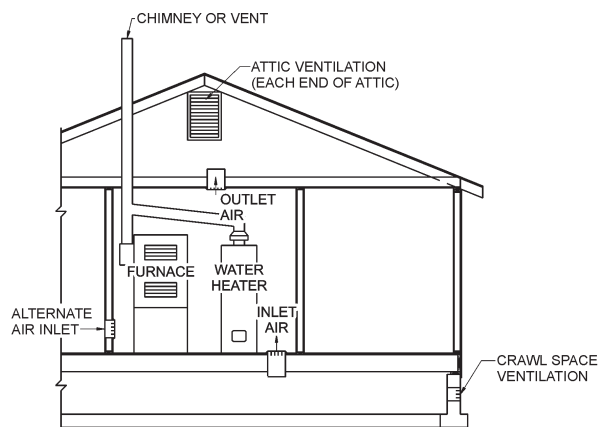
Figures A-1 through A-4 are illustrations of appliances located in confined spaces.



For SI: 1 square inch = 645 mm<sup>2</sup>, 1 British thermal unit per hour = 0.2931 W.

**FIGURE A-1**  
**ALL AIR FROM INSIDE THE BUILDING**

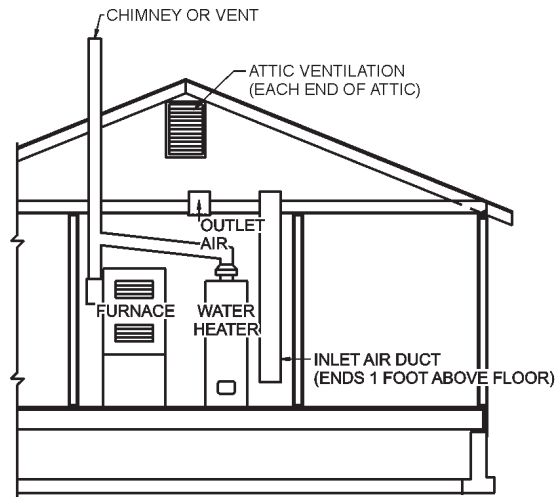
NOTE: Each opening shall have a free area of not less than 1 square inch per 1,000 Btu per hour of the total input rating of all appliances in the enclosure and not less than 100 square inches.



For SI: 1 square inch = 645 mm<sup>2</sup>, 1 British thermal unit per hour = 0.2931 W.

**FIGURE A-2**  
**ALL AIR FROM OUTDOORS—INLET AIR FROM VENTILATED CRAWL SPACE AND OUTLET AIR TO VENTILATED ATTIC**

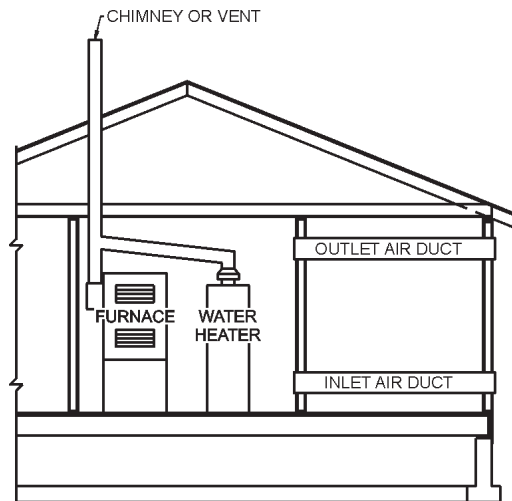
NOTE: The inlet and outlet air openings shall each have a free area of not less than 1 square inch per 4,000 Btu per hour of the total input rating of all appliances in the enclosure.



For SI: 1 foot = 304.8 mm, 1 square inch = 645 mm<sup>2</sup>, 1 British thermal unit per hour = 0.2931 W.

**FIGURE A-3  
ALL AIR FROM OUTDOORS THROUGH VENTILATED ATTIC**

NOTE: The inlet and outlet air openings shall each have a free area of not less than 1 square inch per 4,000 Btu per hour of the total input rating of all appliances in the enclosure.

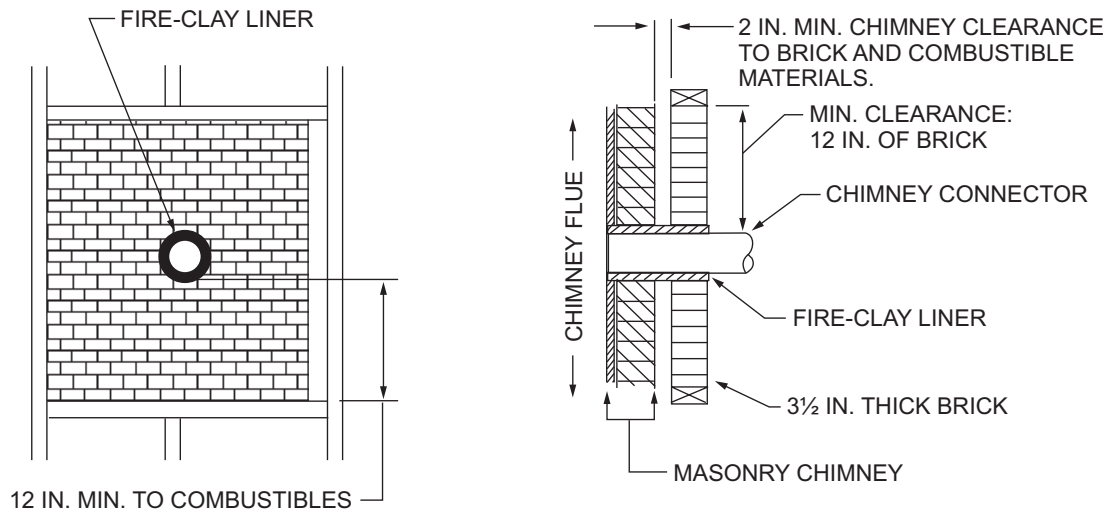


For SI: 1 foot = 304.8 mm, 1 square inch = 645 mm<sup>2</sup>, 1 British thermal unit per hour = 0.2931 W.

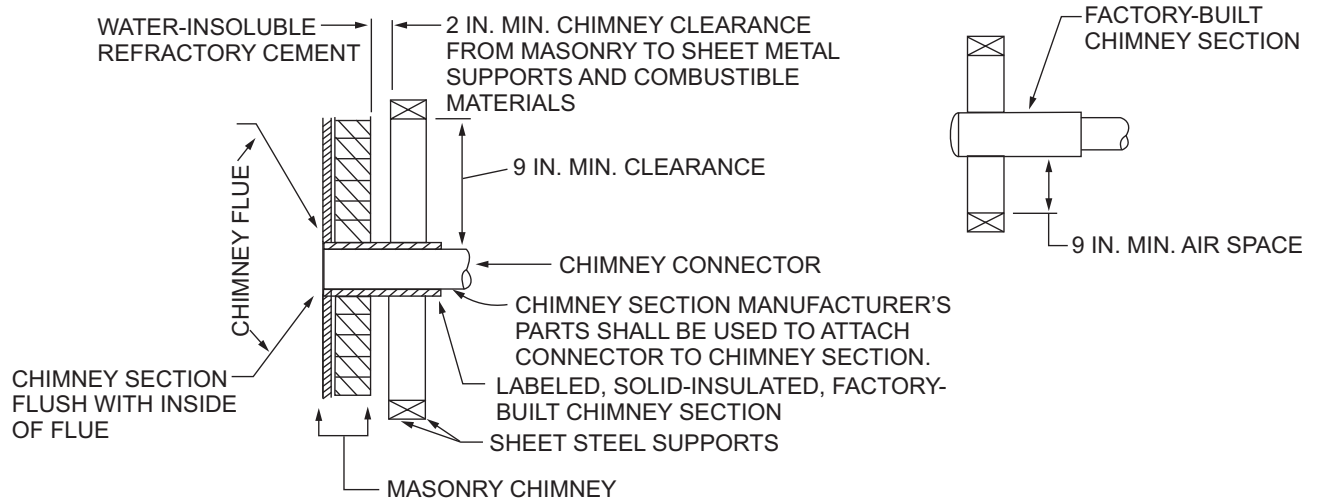
**FIGURE A-4  
ALL AIR FROM OUTDOORS THROUGH HORIZONTAL DUCTS OR DIRECT OPENINGS**

NOTE: Each air duct opening shall have a free area of not less than 1 square inch per 2,000 Btu per hour of the total input rating of all appliances in the enclosure. If the appliance room is located against an outside wall and the air openings communicate directly with the outdoors, each opening shall have a free area of not less than 1 square inch per 4,000 Btu per hour or the total input rating of all appliances in the enclosure.

SYSTEM A



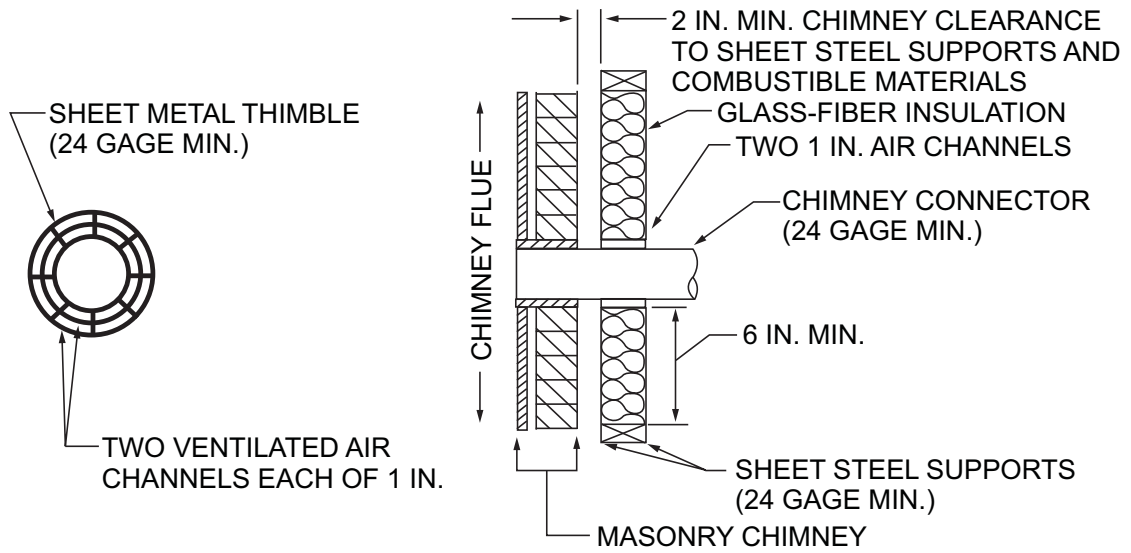
SYSTEM B



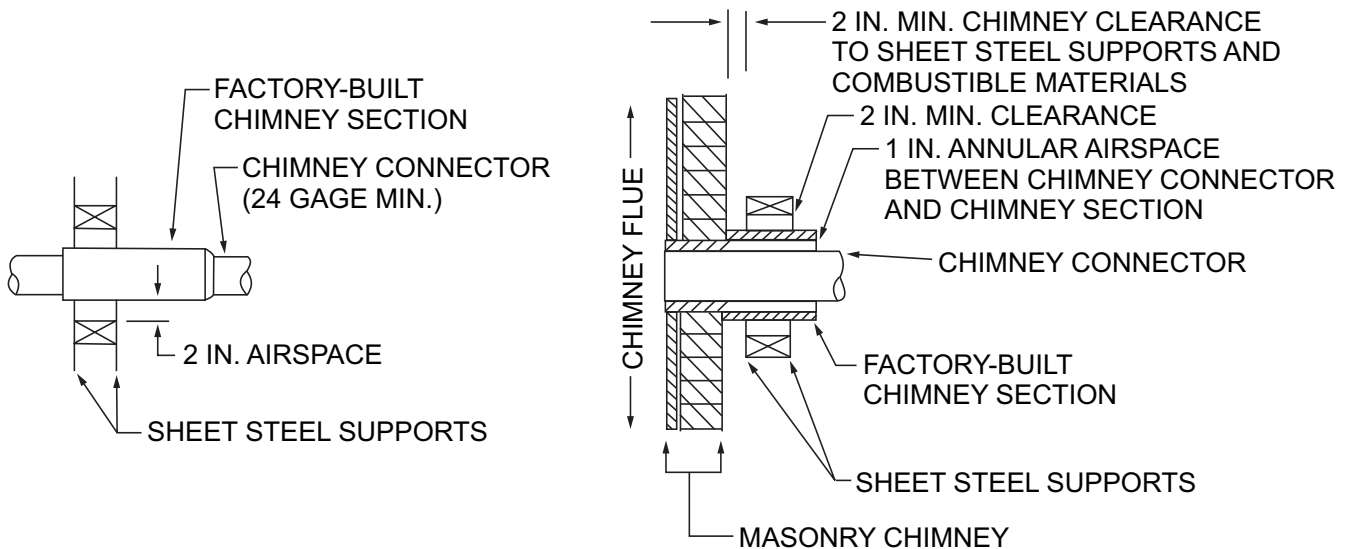
For SI: 1 inch = 25.4 mm.

FIGURE A-5  
CHIMNEY CONNECTOR SYSTEMS

SYSTEM C



SYSTEM D



For SI: 1 inch = 25.4 mm.

FIGURE A-5—continued  
CHIMNEY CONNECTOR SYSTEMS

## APPENDIX B

# RECOMMENDED PERMIT FEE SCHEDULE

(This appendix is informative and is not part of the code.)

### B101 MECHANICAL WORK, OTHER THAN GAS PIPING SYSTEMS

#### B101.1 Initial Fee

For issuing each permit \$\_\_\_

#### B101.2 Additional Fees

**B101.2.1** Fee for inspecting heating, ventilating, ductwork, air-conditioning, exhaust, venting, *combustion* air, pressure vessel, solar, fuel oil and refrigeration systems and *appliance* installations shall be \$\_\_\_ for the first \$1,000.00, or fraction thereof, of valuation of the installation plus \$\_\_\_ for each additional \$1,000.00 or fraction thereof.

**B101.2.2** Fee for inspecting repairs, alterations and additions to an existing system shall be \$\_\_\_ plus \$\_\_\_ for each \$1,000.00 or fraction thereof.

**B101.2.3** Fee for inspecting boilers (based upon Btu input):

33,000 Btu (1 bhp) to 165,000 (5 bhp)	\$ ___
165,001 Btu (5 bhp) to 330,000 (10 bhp)	\$ ___
330,001 Btu (10 bhp) to 1,165,000 (52 bhp)	\$ ___
1,165,001 Btu (52 bhp) to 3,300,000 (98 bhp)	\$ ___
Over 3,300,000 Btu (98 bhp)	\$ ___

For SI: 1 British thermal unit = 0.2931 W, 1 bhp = 33,475 Btu/hr

### B102 FEE FOR REINSPECTION

If it becomes necessary to make a reinspection of a heating, ventilation, air-conditioning or refrigeration system, or boiler installation, the installer of such *equipment* shall pay a reinspection fee of \$\_\_\_.

### B103 TEMPORARY OPERATION INSPECTION FEE

When preliminary inspection is requested for purposes of permitting temporary operation of a heating, ventilating, refrigeration, or air-conditioning system, or portion thereof, a fee of \$\_\_\_ shall be paid by the contractor requesting such preliminary inspection. If the system is not *approved* for temporary operation on the first preliminary inspection, the usual reinspection fee shall be charged for each subsequent preliminary inspection for such purpose.

### B104 SELF-CONTAINED UNITS LESS THAN 2 TONS

In all buildings, except one- and two-family dwellings, where self-contained air-conditioning units of less than 2 tons are to be installed, the fee charged shall be that for the total cost of all units combined (see B101.2.1 for rate).





# INDEX

## A

<b>ADMINISTRATION AND ENFORCEMENT</b> . . . Chapter 1
<b>AIR</b>
Combustion . . . . . Chapter 7
Distribution systems . . . . . Chapter 6
Filters . . . . . 605
Supply . . . . . Chapter 4
Transfer . . . . . 403.2.2
Ventilation . . . . . Chapter 4
<b>ALTERNATIVE MATERIALS AND METHODS</b> . . 105.2
<b>AMMONIA</b> . . . . . 1105.8, 1106.3
<b>APPEAL</b> . . . . . 109
<b>APPLIANCES</b>
Access . . . . . 306
Hazardous location . . . . . 303.2
Installation . . . . . Chapters 3, 9
Outdoors . . . . . 303.6
Prohibited locations . . . . . 303.3
<b>APPLICABILITY OF CODE</b> . . . . . 102
<b>APPROVAL</b> . . . . . 105
<b>ATTIC VENTILATION</b> . . . . . 406
<b>AUTOMATIC VENT DAMPERS</b> . . . . . 803.6
<b>AUTOMATIC FIRE SUPPRESSION,     KITCHEN EXHAUST</b> . . . . . 509

## B

<b>BALANCING, VENTILATION SYSTEM</b> . . . . . 403.7
<b>BARBECUE APPLIANCES</b> . . . . . 906
<b>BATHROOM VENTILATION</b> . . . . . 402, 403
<b>BLOWOFF VALVE, STEAM</b> . . . . . 1008
<b>BOILERS</b>
Approval . . . . . 1004.1
Controls . . . . . 1006
Gauges . . . . . 1010
General . . . . . 1001
Low-water cutoff . . . . . 1007
Rooms . . . . . 304.7, 1004.6
Tests . . . . . 1011
<b>BURNER, CONVERSION</b> . . . . . 919

## C

<b>CANOPY HOODS</b> . . . . . 507.12, 507.13
<b>CEILING DAMPERS</b> . . . . . 607
<b>CHILLED WATER PIPING</b> . . . . . Chapter 12
<b>CHIMNEYS AND VENTS</b>
Connectors . . . . . 803
Dampers . . . . . 803.5, 803.6
Direct Vents . . . . . 804.1
Exhausters . . . . . 804.3
Existing . . . . . 801.18
Factory built . . . . . 802, 805

General . . . . . 801
Masonry, general . . . . . 801
Vents . . . . . 802
<b>CLEANOUTS</b>
Clothes dryer exhaust . . . . . 504.3
Kitchen exhaust . . . . . 506.3.8, 506.3.9, 506.3.11
Masonry chimneys . . . . . 801.13
<b>CLEARANCES</b>
Appliance in garages . . . . . 304.9, 304.10
Chimney and vent . . . . . 801.18.4
Connectors . . . . . 803.10.6
Kitchen exhaust . . . . . 506.3.6, 507.9
Reduction . . . . . 308
Specific appliances . . . . . Chapter 9
<b>CLOTHES DRYER</b>
Appliance . . . . . 913
Exhaust . . . . . 504
<b>COAL-BURNING APPLIANCES</b> . . . . . Chapter 9
<b>CODE OFFICIAL</b> . . . . . 103, 104, 202
<b>COLLECTORS, SOLAR</b> . . . . . 1402.4, 1404.1
<b>COMBUSTIBLE LIQUID STORAGE TANK</b> . . . . 1301
<b>COMBUSTIBLES, REDUCED CLEARANCE</b> . . . . 308
<b>COMBUSTION AIR</b> . . . . . Chapter 7
<b>COMMERCIAL KITCHEN EXHAUST</b> . . . . . 506
Hoods . . . . . 507
<b>CONDENSATE DISPOSAL</b> . . . . . 307
<b>CONDENSATION</b>
Ducts . . . . . 603.12
Piping . . . . . 1107.4
<b>CONNECTORS, CHIMNEY OR VENT</b> . . . . . 803
<b>CONTAMINANTS,     VENTILATION AIR</b> . . . . . 401.4, 401.6
<b>CONVERSION BURNERS</b> . . . . . 919
<b>CONVEYOR SYSTEMS</b> . . . . . 511
<b>COOKING APPLIANCES</b> . . . . . 917
<b>COOLING TOWERS</b> . . . . . 908
<b>COOLING WATER PIPING</b> . . . . . Chapter 12
<b>COVERING, DUCT</b> . . . . . 604.3
<b>CRAWL SPACE PLENUMS</b> . . . . . 602
<b>CRAWL SPACE, VENTILATION</b> . . . . . 406
<b>CREMATORIES</b> . . . . . 907
<b>CUTTING, NOTCHING, BORING</b> . . . . . 302

## D

<b>DAMPERS</b>
Chimney or vent . . . . . 803.5, 803.6
Fire . . . . . 607
Smoke . . . . . 607
<b>DEFINITIONS</b> . . . . . Chapter 2
<b>DETECTORS, DUCT SMOKE</b> . . . . . 606
<b>DOCUMENTS</b> . . . . . 106.3.1

**DRYER, CLOTHES**

- Exhaust . . . . . 504
- General . . . . . 913

**DUCT**

- Clothes dryer exhaust . . . . . 504
- Construction . . . . . 603
- Covering . . . . . 604.3
- Detectors, smoke . . . . . 606
- Enclosure . . . . . 506.3.10, 510.4
- Exhaust . . . . . 501.4
- Fire damper . . . . . 607
- Flexible . . . . . 603.6
- Furnace . . . . . 918.2
- Hangers and supports . . . . . 603.10
- Hazardous exhaust . . . . . 510
- Installation . . . . . 603
- Insulation . . . . . 604
- Joints, seams and connections . . . . . 603.9
- Kitchen exhaust . . . . . 506
- Lining . . . . . 604.3
- Plastic . . . . . 603.8.3
- Sizing . . . . . 603.2
- Smoke damper . . . . . 607
- Systems . . . . . Chapter 6
- Underground . . . . . 603.8

**DUST, STOCK AND REFUSE**

- CONVEYOR SYSTEMS** . . . . . 511

**E**

- ELECTRIC INSTALLATION** . . . . . 301.7
- ENERGY EFFICIENCY** . . . . . 301.2
- ENERGY RECOVERY SYSTEMS** . . . . . 514
- ENGINE/TURBINE EQUIPMENT** . . . . . 915
- EQUIPMENT ACCESS** . . . . . 306
- EQUIPMENT IDENTIFICATION** . . . . . 304.12, 504.6.5
- EXHAUST, REQUIRED SYSTEMS** . . . . . 502
  - Clothes dryer . . . . . 504
  - Discharge . . . . . 501.2
  - Ducts . . . . . 501.4
  - Outlets . . . . . 501.2
  - Kitchen . . . . . 505, 506, 507
  - Machinery room . . . . . 1105, 1106
  - Mechanical . . . . . 403, Chapter 5
  - Ventilator openings . . . . . 401.4, 401.5
  - System, hazardous . . . . . 510
- EXHAUSTER, MECHANICAL FLUE** . . . . . 804
- EXISTING SYSTEMS** . . . . . 102.2
- EXPLOSION VENTING** . . . . . 310

**F****FACTORY BUILT**

- Barbecue appliance . . . . . 906
- Chimneys . . . . . 805
- Commercial exhaust hoods . . . . . 507.1

- Ducts (kitchen exhaust) . . . . . 506.3.1.1, 506.3.2, 506.3.6
- Fireplaces . . . . . 903

- FANS, EXHAUST** . . . . . 503, 506.5.1
- FILTERS, AIR** . . . . . 605
- FILTERS, GREASE** . . . . . 507.11
- FIRE DAMPERS** . . . . . 607
- FIRE SUPPRESSION**
  - Hazardous exhaust . . . . . 510.7
  - Kitchen exhaust . . . . . 509
- FIREPLACES**
  - Factory built . . . . . 903
  - Masonry . . . . . 902.1
- FIREPLACE STOVE** . . . . . 905
- FLEXIBLE CONNECTORS (DUCT)** . . . . . 603.6, 607.7
- FLEXIBLE CONNECTORS, HYDRONIC** . . . . . 1202.7
- FLEXIBLE DUCTS** . . . . . 603.6, 607.7
- FLOOD HAZARD** . . . . . 301.13, 401.4.3, 602.4, 603.13
- FLOOR FURNACE** . . . . . 910
- FLUE LINERS** . . . . . 801.16, 801.18.2
- FUEL CELLS** . . . . . 924
- FUEL, CONVERSION** . . . . . 301.9
- FUEL OIL**
  - Piping . . . . . Chapter 13
  - Piping installation . . . . . 1305
  - Piping material . . . . . 1302
- FURNACE, FORCED-AIR** . . . . . 918
- FURNACE ROOM** . . . . . 304.8

**G**

- GAUGES, BOILERS** . . . . . 1010
- GREASE** . . . . . 506, 507
- GREASE FILTERS** . . . . . 507.11
- GRILLES** . . . . . 603.17
- GUARDS** . . . . . 304.11, 306.5.1

**H**

- HANGERS, DUCT** . . . . . 603.10
- HANGERS, PIPE** . . . . . 305
- HAZARDOUS EXHAUST SYSTEM** . . . . . 510
- HAZARDOUS LOCATION, EQUIPMENT** . . . . . 304.3, 901.3
- HAZARDOUS LOCATION, INSTALLATION** . . . . . 304.3
- HEATER** . . . . . Chapter 9
- HEAT RECOVERY VENTILATORS** . . . . . 927
- HEAT PUMP** . . . . . 918.3
- HOOD DESIGN (KITCHEN)** . . . . . 507
- HOOD, EXHAUST** . . . . . 505, 506, 507, 510.5.3
- HOT WATER BOILERS** . . . . . Chapter 10
- HOT WATER PIPING** . . . . . Chapter 12

**HYDROGEN GENERATION AND REFUELING** ..... 304.4, 926  
**HYDRONIC PIPING** ..... Chapter 12

**I**

**INCINERATORS** ..... 907  
**INSPECTION** ..... 107  
**INSULATION**  
 Duct ..... 604  
 Pipe ..... 1204

**J**

**JOINTS**  
 Connectors ..... 803.10.1  
 Duct ..... 506.3.2, 510.8.1, 603.9  
 Piping ..... 1003.2, 1107.6, 1107.7, 1203, 1303

**K**

**KEROSENE STOVE** ..... 922  
**KILNS** ..... 923  
**KITCHEN EXHAUST EQUIPMENT** ..... Chapter 5

**L**

**LABELING**  
 Criteria for ..... 301.4, 301.5, 301.6  
**LINER, FLUE** ..... 801.16  
**LINING, DUCT** ..... 604.3  
**LISTING** ..... 301.4  
**LOAD CALCULATIONS, HEATING AND COOLING** ..... 312  
**LOCATION, EQUIPMENT AND APPLIANCE** ..... 303  
**LOW-WATER CUTOFF, BOILER** ..... 1007

**M**

**MACHINERY ROOMS** ..... 1104.2, 1105, 1106  
**MAINTENANCE** ..... 102.3  
**MAKEUP AIR, EXHAUST** ..... 508, 510.5.5  
**MAKEUP WATER** ..... 908.5, 1005.2, 1206.3, 1207.2, 1401.2  
**MASONRY CHIMNEYS** ..... Chapter 8  
**MASONRY FIREPLACE** ..... 902  
**MECHANICAL EXHAUST/DRAFT** ..... 804  
**MECHANICAL OFFICIAL (see CODE OFFICIAL)**  
**MECHANICAL REFRIGERATION** ..... Chapter 11  
**MECHANICAL VENTILATION** ..... 304.5.2, 403  
**MOTORS, FAN** ..... 503, 506.5.1.1  
**MOVED STRUCTURE** ..... 102.7

**N**

**NATURAL VENTILATION** ..... 304.4.1, 402

**NONCANOPY HOODS** ..... 507.14

**O**

**OIL, FUEL PIPING** ..... Chapter 13  
**OPENINGS**  
 Outside ..... 401.4, 401.5, 501.2.2  
**OUTDOOR APPLIANCE INSTALLATION** ..... 303.6  
**OUTSIDE AIR, MINIMUM** ..... 403

**P**

**PELLET FUEL-BURNING APPLIANCES** ..... 904  
**PENETRATIONS** ..... 302.2, 607  
**PERMITS** ..... 106  
**PIPE**  
 Insulation ..... 1107.3, 1204  
 Support ..... 305  
**PIPING**  
 Fuel oil ..... Chapter 13  
 Material, fuel oil ..... 1302  
 Material, hydronic ..... 1202  
 Refrigerant ..... 1107  
 Support ..... 305

**PLENUMS** ..... 602  
**PLUMBING CONNECTIONS** ..... 301.8  
**POOL/SPA HEATER** ..... 916  
**POWER EXHAUSTER** ..... 804  
**PRESSURE GAUGE** ..... 1010  
**PRESSURE VESSEL** ..... 1003

**R**

**RADIANT HEATER** ..... 912  
**RANGE HOODS** ..... Chapter 5  
**REDUCED, CLEARANCE** ..... 308  
**REFRIGERANT** ..... Chapter 11  
 Locking access caps ..... 1101.10  
 Piping ..... 1107  
 Quantity ..... 1104  
**REFRIGERANT PIPING** ..... 1107  
**REGISTERS** ..... 603.17  
**RELIEF VALVES, FUEL OIL** ..... 1307  
**RELIEF VALVES, PRESSURE VESSELS** ..... 1006  
**RELIEF VALVES, SOLAR** ..... 1402.5.1  
**REPAIRS** ..... 102.4  
**ROOM HEATERS, SOLID FUEL** ..... 904, 905, 921

**S**

**SAFETY VALVE** ..... 1006  
**SAUNA HEATER** ..... 914  
**SCOPE OF CODE** ..... 101.2  
**SEISMIC** ..... 301.15  
**SIGHT GLASS** ..... 1010

<b>SMOKE AND HEAT VENTS</b> .....	311
<b>SMOKE CONTROL</b> .....	513
<b>SMOKE DAMPERS</b> .....	607
<b>SMOKE DETECTORS</b> .....	606
<b>SOLAR</b> .....	Chapter 14
<b>SOLID FUEL-BURNING APPLIANCES</b> .....	Chapter 9
<b>STANDARDS, REFERENCED</b> .....	102.8, Chapter 15
<b>STEAM</b>	
Blowoff .....	1008
Boilers .....	Chapter 10
Gauge .....	1010
Piping .....	Chapters 10, 12
<b>SUBSLAB SOIL EXHAUST SYSTEM</b> .....	512
<b>SUPPORTS, DUCT</b> .....	603.10
<b>SUPPORTS, PIPING</b> .....	305
<b>SUPPRESSION</b>	
Hazardous exhaust .....	510.7
Kitchen exhaust .....	509

**T**

<b>TANKS, EXPANSION</b> .....	1009, 1402.5.4
<b>TANKS, FLAMMABLE AND COMBUSTIBLE LIQUIDS</b> .....	Chapter 13
<b>TEMPERATURE CONTROL</b> .....	309.1
<b>TEMPERATURE GAUGE</b> .....	1010
<b>TEMPERATURE RELIEF, SOLAR</b> .....	1402.4
<b>TESTS</b>	
Boiler/pressure vessel .....	1011
Fuel oil piping .....	1308
Hydronic piping .....	1208, 1209.2
Kitchen exhaust .....	507.16
Refrigeration .....	1108, 1109
<b>THERMAL STORAGE, SOLAR</b> .....	1404.2
<b>TOILET ROOM VENTILATION</b> .....	402.1, Table 403.3
<b>TRANSFER FLUID</b>	
Hydronic piping .....	1207
Solar .....	1403

**U**

<b>UNDERGROUND STORAGE TANKS</b> .....	Chapter 13
<b>UNIT HEATER</b> .....	920
<b>UNSAFE CONDITIONS</b> .....	108.7
<b>UNVENTED GAS LOG HEATERS</b> .....	903.3

**V**

<b>VALVES</b>	
Boilers .....	1005, 1008
Fuel oil .....	1307
Hydronic .....	1205
Safety and relief .....	1006
Stop .....	1107.7

<b>VAPOR RETARDER</b> .....	604.11
<b>VENTILATION</b>	
Air .....	Chapter 4
Enclosed parking garages .....	404
Energy recovery systems .....	514
Machinery room .....	1105, 1106
Mechanical .....	304.5.2, 403
Natural .....	304.4.1, 402
Openings .....	401.4, 401.5
Rate .....	403.3
Recirculation .....	403.2.1
Transfer .....	403.2.2
Uninhabited spaces .....	406
<b>VENTILATORS, HEAT RECOVERY</b> .....	927
<b>VENTS</b>	
Connectors .....	803
Direct .....	804
Explosion .....	310
General .....	802, Chapter 8
Height .....	802.6
Smoke and Heat .....	311
Termination .....	802
<b>VIBRATION CONTROL DEVICES</b> .....	301.10
<b>VIOLATIONS</b> .....	108

**W**

<b>WALL FURNACE</b> .....	909
<b>WATER HEATERS</b> .....	1002
<b>WATER PIPING</b> .....	Chapter 12
<b>WIND RESISTANCE</b> .....	301.12
<b>WOOD-BURNING APPLIANCES</b> .....	Chapter 9



# Don't Miss Out On Valuable ICC Membership Benefits. Join ICC Today!

Join the largest and most respected building code and safety organization. As an official member of the International Code Council®, these great ICC® benefits are at your fingertips.

## EXCLUSIVE MEMBER DISCOUNTS

ICC members enjoy exclusive discounts on codes, technical publications, seminars, plan reviews, educational materials, videos, and other products and services.

## TECHNICAL SUPPORT

ICC members get expert code support services, opinions, and technical assistance from experienced engineers and architects, backed by the world's leading repository of code publications.



## FREE CODE—LATEST EDITION

Most new individual members receive a free code from the latest edition of the International Codes®. New corporate and governmental members receive one set of major International Codes (Building, Residential, Fire, Fuel Gas, Mechanical, Plumbing, Private Sewage Disposal).



## FREE CODE MONOGRAPHS

Code monographs and other materials on proposed International Code revisions are provided free to ICC members upon request.

## PROFESSIONAL DEVELOPMENT

Receive Member Discounts for on-site training, institutes, symposiums, audio virtual seminars, and on-line training! ICC delivers educational programs that enable members to transition to the I-Codes®, interpret and enforce codes, perform plan reviews, design and build safe structures, and perform administrative functions more effectively and with greater efficiency. Members also enjoy special educational offerings that provide a forum to learn about and discuss current and emerging issues that affect the building industry.



## ENHANCE YOUR CAREER

ICC keeps you current on the latest building codes, methods, and materials. Our conferences, job postings, and educational programs can also help you advance your career.



## CODE NEWS

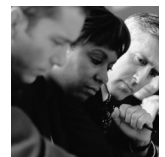
ICC members have the inside track for code news and industry updates via e-mails, newsletters, conferences, chapter meetings, networking, and the ICC website ([www.iccsafe.org](http://www.iccsafe.org)). Obtain code opinions, reports, adoption updates, and more. Without exception, ICC is your number one source for the very latest code and safety standards information.

## MEMBER RECOGNITION

Improve your standing and prestige among your peers. ICC member cards, wall certificates, and logo decals identify your commitment to the community and to the safety of people worldwide.

## ICC NETWORKING

Take advantage of exciting new opportunities to network with colleagues, future employers, potential business partners, industry experts, and more than 50,000 ICC members. ICC also has over 300 chapters across North America and around the globe to help you stay informed on local events, to consult with other professionals, and to enhance your reputation in the local community.



**JOIN NOW! 1-888-422-7233, x33804 | [www.iccsafe.org/membership](http://www.iccsafe.org/membership)**



People Helping People Build a Safer World™



**INTERNATIONAL  
CODE COUNCIL®**

People Helping People Build a Safer World™



# The Clear Leader

## AROUND THE CORNER AND ACROSS THE GLOBE

We don't just talk about excellent codes. We create and continually improve upon them with the help of professionals like you. More jurisdictions in the U.S. and abroad are adopting Plumbing, Mechanical and Fuel Gas (PMG) I-Codes. They chose us because they know our codes and support are unsurpassed.

Offering over 200 PMG codes and related publications, superior and diverse certification and training, expert technical support, invaluable member benefits, and other outstanding resources makes the ICC the clear choice. This includes a growing list of water efficiency codes and standards for ever more sustainable solutions.

### **The trusted leader in listing services**

ICC Evaluation Service (ES) is the most respected evaluation body in the U.S. Naturally, our ICC-ES PMG Listing Program offers the same outstanding level of evaluation that building departments trust for optimal code compliance. Always look for the ICC-ES PMG Listing mark on all PMG products.



### **The source for all your PMG needs**

From pool safety and fire sprinklers to aiding the global sanitation crisis to helping building professionals provide ever-safer, more efficient and sustainable solutions, your best resource is the PMG Resource Center.

**1-888-422-7233, x4PMG | [www.iccsafe.org/pmg](http://www.iccsafe.org/pmg)**

**Email: [PMGResourcecenter@iccsafe.org](mailto:PMGResourcecenter@iccsafe.org)**

10-03478